

 **TEREX | AMERICAN**



**CAL CRANE &  
EQUIPMENT**

Tel: 1 (844) 882-2415 • Fax: 1 (510) 639-4053  
crane-sales@calcrane.com • www.calcrane.com

**HC 165 | Hydraulic Crawler Crane 165 t Lifting Capacity**

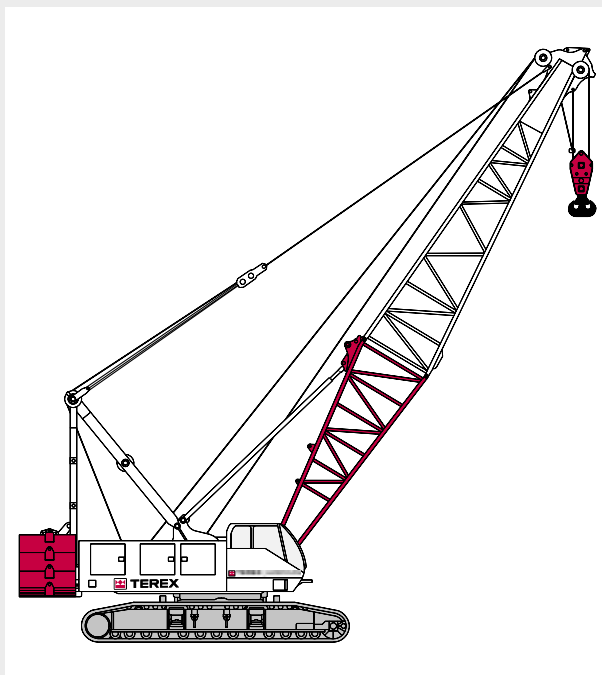


# HC 165

## HYDRAULIC CRAWLER CRANE

HC 165  
**HIGHLIGHTS**

- ▶ 165 tons maximum lifting capacity
- ▶ 270 ft maximum length of main boom
- ▶ 80 ft maximum jib
- ▶ 320 ft maximum boom and jib length
- ▶ 319 horsepower Cummins engine
- ▶ Optional boom tips
- ▶ Optional 3<sup>rd</sup> drum configurations
- ▶ Increased capacity at working radii with optional counterweight
- ▶ Proven American 77" boom and 16HL jib
- ▶ Fully self-erectable
- ▶ Power up / power down and freefall on main, auxiliary and optional third drum
- ▶ Quiet operator's cab with spacious width
- ▶ 360° viewing range
- ▶ Two speed travel
- ▶ Powerful, high speed hoist drums
  
- ▶ **The ultimate crane!**



**CONTENTS**

Page:

**Specifications**

|                  |   |
|------------------|---|
| Dimensions ..... | 4 |
|------------------|---|

**Main boom**

|  |    |
|--|----|
| Range diagram, 77SI hammerhead tip boom .....  | 6  |
| With 77SI hammerhead tip boom and 102,000 pound upper counterweight .....  | 7  |
| With 77SI hammerhead tip boom and optional 108,400 pound of upper and 8,000 pound of carbody counterweight ..... | 10 |
| Range diagram, 77SI offset tip boom .....  | 14 |
| With 77SI offset tip boom and 102,000 pound upper counterweight .....  | 15 |
| With 77SI offset tip boom and optional 108,400 pound of upper and 8,000 pound of carbody counterweight .....     | 18 |

**Jib**

|   |    |
|---|----|
| Range diagram, 77SI hammerhead tip boom, #16HL Jib .....  | 22 |
| With 77SI hammerhead tip boom and 102,000 pound upper counterweight, #16HL Jib .....  | 23 |
| With 77SI hammerhead tip boom and optional 108,400 pound of upper and 8,000 pound of carbody counterweight, #16HL Jib ..... | 30 |
| Range diagram, 77SI offset tip boom, #16HL Jib .....  | 38 |
| With 77SI offset tip boom and 102,000 pound upper counterweight, #16HL Jib .....  | 39 |
| With 77SI offset tip boom and optional 108,400 pound of upper and 8,000 pound of carbody counterweight, #16HL Jib .....     | 48 |

**Technical description**

|                               |    |
|-------------------------------|----|
| Hydraulic Crawler Crane ..... | 58 |
| Hoist Drum Performance .....  | 59 |

**Transport example for HC 165**

|       |    |
|-------|----|
| ..... | 60 |
|-------|----|

1

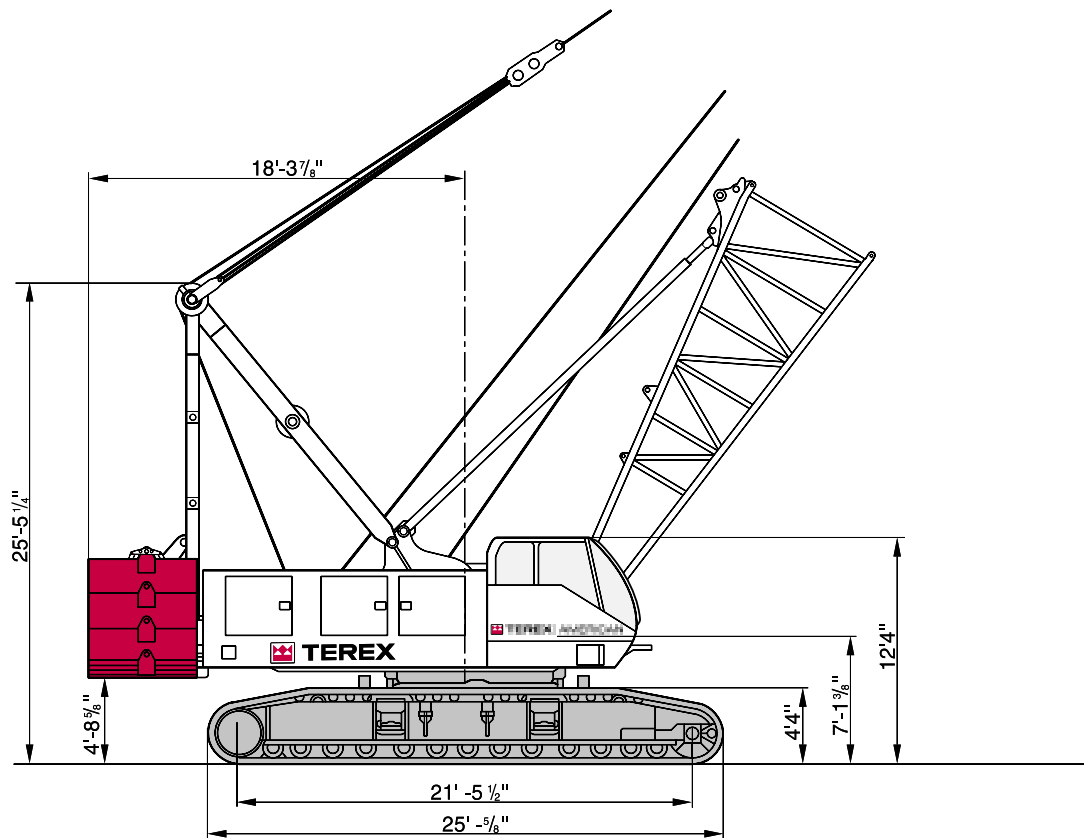
2

3

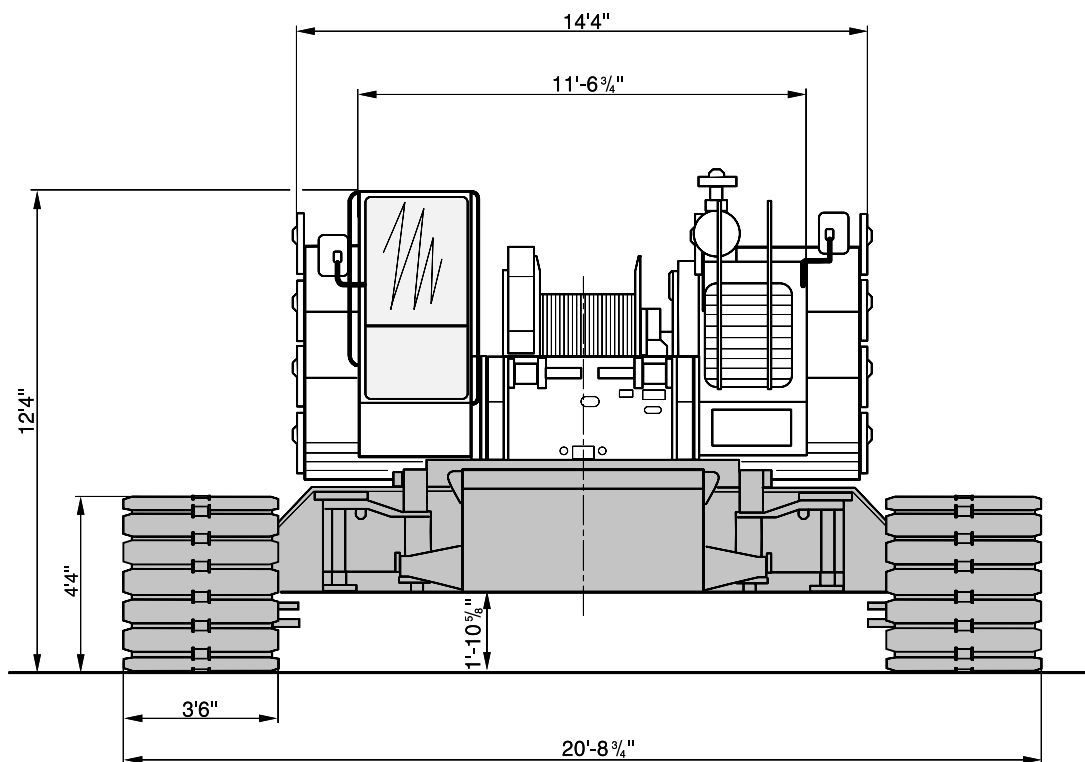
4

5

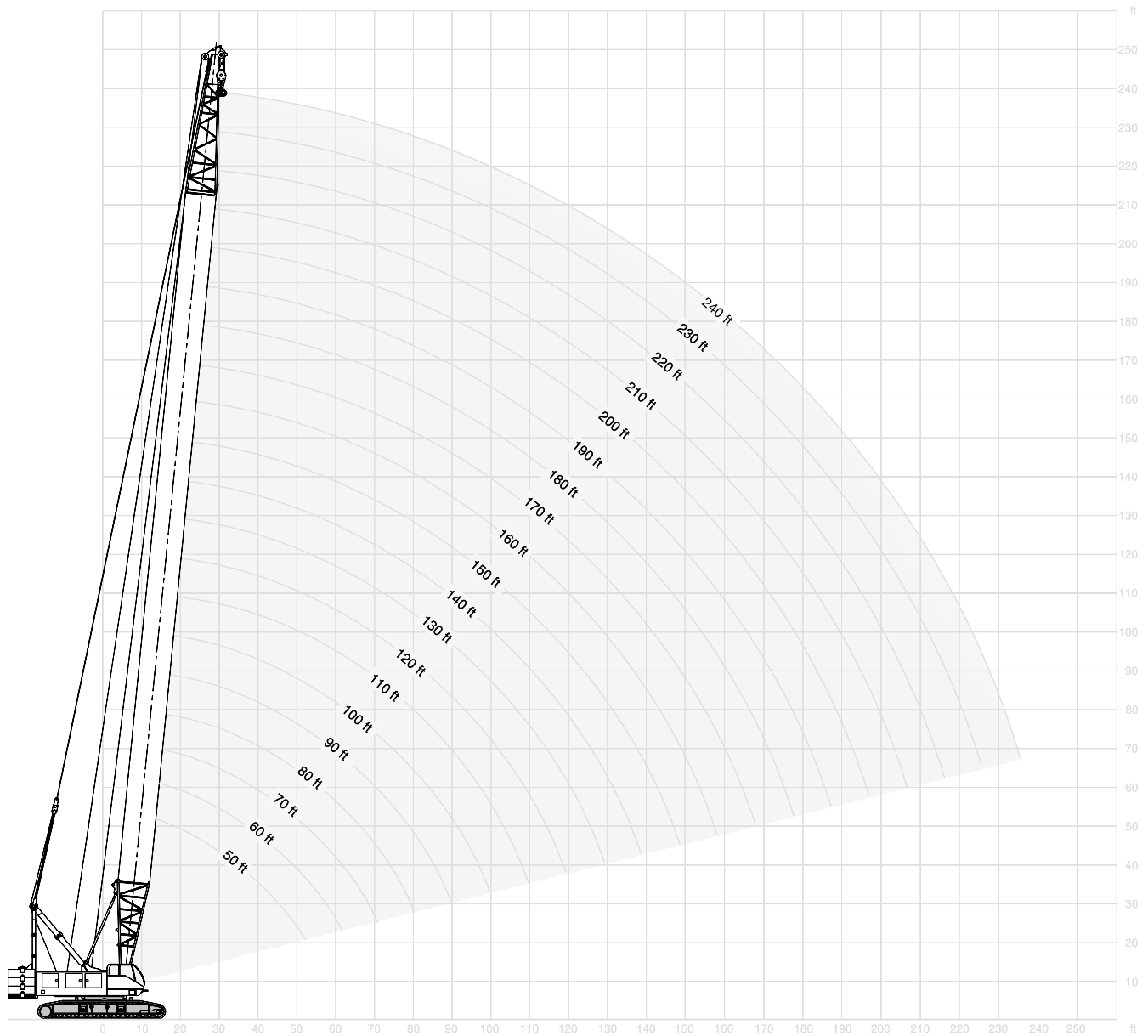
**DIMENSIONS**



**DIMENSIONS**



**RANGE DIAGRAM, 77SI HAMMERHEAD TIP BOOM**



**WITH 77SI HAMMERHEAD TIP BOOM AND 102,000 POUND UPPER COUNTERWEIGHT**

102,000 lb 360° ANSI B 30.5

**50' (15.2 m) Boom length**

| Radius (Feet) | Boom Angle (Degrees) | 360 Degree Rating (Pounds) | From Boom Pt. to Ground (Feet) |
|---------------|----------------------|----------------------------|--------------------------------|
| 14            | 81.9                 | 330,000*                   | 58                             |
| 15            | 80.8                 | 330,000*                   | 57                             |
| 20            | 75.0                 | 270,720                    | 56                             |
| 25            | 68.9                 | 183,870                    | 55                             |
| 30            | 62.7                 | 138,290                    | 52                             |
| 35            | 55.9                 | 110,230                    | 49                             |
| 40            | 48.5                 | 91,140                     | 45                             |
| 50            | 29.5                 | 66,900                     | 32                             |

**60' (18.3 m) Boom length**

|    |      |          |    |
|----|------|----------|----|
| 15 | 82.3 | 330,000* | 68 |
| 20 | 77.5 | 271,110  | 67 |
| 25 | 72.6 | 184,120  | 65 |
| 30 | 67.5 | 138,460  | 63 |
| 35 | 62.2 | 110,390  | 61 |
| 40 | 56.6 | 91,250   | 58 |
| 50 | 44.0 | 67,040   | 49 |
| 60 | 26.7 | 52,190   | 35 |

**70' (21.3 m) Boom length**

|    |      |          |    |
|----|------|----------|----|
| 16 | 82.6 | 330,000* | 78 |
| 20 | 79.3 | 271,310  | 77 |
| 25 | 75.1 | 184,230  | 76 |
| 30 | 70.8 | 138,520  | 74 |
| 35 | 66.5 | 110,420  | 72 |
| 40 | 61.9 | 91,260   | 70 |
| 50 | 52.0 | 67,060   | 63 |
| 60 | 40.5 | 52,210   | 53 |
| 70 | 24.6 | 42,200   | 37 |

**80' (24.4 m) Boom length**

|    |      |          |    |
|----|------|----------|----|
| 17 | 82.8 | 330,000* | 87 |
| 20 | 80.6 | 271,390  | 87 |
| 25 | 77.0 | 184,210  | 86 |
| 30 | 73.3 | 138,450  | 85 |
| 35 | 69.6 | 110,320  | 83 |
| 40 | 65.7 | 91,140   | 81 |
| 50 | 57.5 | 66,930   | 75 |
| 60 | 48.4 | 52,090   | 68 |
| 70 | 37.7 | 42,090   | 57 |
| 80 | 22.9 | 34,950   | 39 |

**90' (27.4 m) Boom length**

|    |      |          |    |
|----|------|----------|----|
| 18 | 82.9 | 330,000* | 97 |
| 20 | 81.7 | 271,410  | 97 |
| 25 | 78.5 | 184,130  | 96 |
| 30 | 75.2 | 138,330  | 95 |
| 35 | 71.9 | 110,190  | 94 |
| 40 | 68.5 | 90,980   | 92 |
| 50 | 61.5 | 66,770   | 87 |
| 60 | 53.9 | 51,910   | 81 |
| 70 | 45.4 | 41,920   | 72 |
| 80 | 35.4 | 34,840   | 60 |
| 90 | 21.5 | 29,360   | 40 |

**100' (30.5 m) Boom length**

| Radius (Feet) | Boom Angle (Degrees) | 360 Degree Rating (Pounds) | From Boom Pt. to Ground (Feet) |
|---------------|----------------------|----------------------------|--------------------------------|
| 20            | 82.5                 | 271,420                    | 107                            |
| 25            | 79.6                 | 184,070                    | 106                            |
| 30            | 76.7                 | 138,240                    | 105                            |
| 35            | 73.8                 | 110,090                    | 104                            |
| 40            | 70.8                 | 90,860                     | 102                            |
| 50            | 64.6                 | 66,650                     | 98                             |
| 60            | 58.0                 | 51,790                     | 93                             |
| 70            | 50.9                 | 41,780                     | 85                             |
| 80            | 43.0                 | 34,740                     | 76                             |
| 90            | 33.5                 | 29,290                     | 63                             |
| 100           | 20.3                 | 25,000                     | 42                             |

**110' (33.5 m) Boom length**

|     |      |         |     |
|-----|------|---------|-----|
| 21  | 82.7 | 247,920 | 117 |
| 25  | 80.6 | 183,920 | 117 |
| 30  | 77.9 | 138,050 | 116 |
| 35  | 75.3 | 109,880 | 114 |
| 40  | 72.6 | 90,620  | 113 |
| 50  | 67.0 | 66,400  | 109 |
| 60  | 61.2 | 51,520  | 104 |
| 70  | 55.0 | 41,510  | 98  |
| 80  | 48.3 | 34,500  | 90  |
| 90  | 40.8 | 29,050  | 80  |
| 100 | 31.8 | 24,780  | 66  |
| 110 | 19.3 | 21,340  | 44  |

**120' (36.6 m) Boom length**

|     |      |         |     |
|-----|------|---------|-----|
| 22  | 82.8 | 228,210 | 127 |
| 25  | 81.4 | 183,750 | 127 |
| 30  | 78.9 | 137,830 | 126 |
| 35  | 76.5 | 109,650 | 125 |
| 40  | 74.1 | 90,370  | 123 |
| 50  | 69.0 | 66,150  | 120 |
| 60  | 63.8 | 51,250  | 116 |
| 70  | 58.3 | 41,230  | 110 |
| 80  | 52.5 | 34,250  | 103 |
| 90  | 46.2 | 28,800  | 94  |
| 100 | 39.0 | 24,530  | 83  |
| 110 | 30.4 | 21,110  | 68  |
| 120 | 18.4 | 18,270  | 45  |

**130' (39.6 m) Boom length**

|     |      |         |     |
|-----|------|---------|-----|
| 23  | 82.9 | 211,000 | 137 |
| 25  | 82.0 | 183,560 | 137 |
| 30  | 79.8 | 137,600 | 136 |
| 35  | 77.6 | 109,400 | 135 |
| 40  | 75.3 | 90,090  | 134 |
| 50  | 70.7 | 65,860  | 131 |
| 60  | 66.0 | 50,950  | 127 |
| 70  | 61.0 | 40,910  | 122 |
| 80  | 55.8 | 33,950  | 115 |
| 90  | 50.3 | 28,500  | 108 |
| 100 | 44.2 | 24,240  | 98  |
| 110 | 37.4 | 20,820  | 87  |
| 120 | 29.2 | 17,990  | 71  |
| 130 | 17.6 | 15,630  | 47  |



**WITH 77SI HAMMERHEAD TIP BOOM AND 102,000 POUND UPPER COUNTERWEIGHT**

102,000 lb

360°

ANSI B 30.5

**140' (42.7 m) Boom length**

| Radius (Feet) | Boom Angle (Degrees) | 360 Degree Rating (Pounds) | From Boom Pt. to Ground (Feet) |
|---------------|----------------------|----------------------------|--------------------------------|
| 25            | 82.6                 | 183,360                    | 147                            |
| 30            | 80.5                 | 137,350                    | 146                            |
| 35            | 78.5                 | 109,150                    | 145                            |
| 40            | 76.4                 | 89,800                     | 144                            |
| 50            | 72.1                 | 65,570                     | 141                            |
| 60            | 67.8                 | 50,640                     | 138                            |
| 70            | 63.3                 | 40,590                     | 133                            |
| 80            | 58.6                 | 33,650                     | 127                            |
| 90            | 53.6                 | 28,200                     | 121                            |
| 100           | 48.3                 | 23,940                     | 112                            |
| 110           | 42.5                 | 20,510                     | 102                            |
| 120           | 35.9                 | 17,700                     | 90                             |
| 130           | 28.0                 | 15,350                     | 73                             |
| 140           | 17.0                 | 13,350                     | 48                             |

**150' (45.7 m) Boom length**

|     |      |         |     |
|-----|------|---------|-----|
| 26  | 82.7 | 171,730 | 157 |
| 30  | 81.2 | 137,140 | 156 |
| 35  | 79.2 | 108,910 | 155 |
| 40  | 77.3 | 89,550  | 154 |
| 50  | 73.3 | 65,320  | 152 |
| 60  | 69.3 | 50,370  | 148 |
| 70  | 65.2 | 40,320  | 144 |
| 80  | 60.9 | 33,390  | 139 |
| 90  | 56.4 | 27,940  | 133 |
| 100 | 51.7 | 23,670  | 126 |
| 110 | 46.6 | 20,260  | 117 |
| 120 | 41.0 | 17,450  | 106 |
| 130 | 34.7 | 15,100  | 93  |
| 140 | 27.1 | 13,100  | 76  |
| 150 | 16.4 | 11,380  | 50  |

**160' (48.8 m) Boom length**

|     |      |         |     |
|-----|------|---------|-----|
| 27  | 82.8 | 161,670 | 167 |
| 30  | 81.7 | 136,880 | 166 |
| 35  | 79.9 | 108,640 | 166 |
| 40  | 78.1 | 89,260  | 165 |
| 50  | 74.4 | 65,010  | 162 |
| 60  | 70.7 | 50,040  | 159 |
| 70  | 66.8 | 40,320  | 155 |
| 80  | 62.9 | 33,070  | 150 |
| 90  | 58.8 | 27,610  | 145 |
| 100 | 54.5 | 23,350  | 138 |
| 110 | 49.9 | 19,920  | 130 |
| 120 | 45.0 | 17,110  | 121 |
| 130 | 39.6 | 14,760  | 110 |
| 140 | 33.5 | 12,770  | 96  |
| 150 | 26.2 | 11,060  | 78  |
| 160 | 15.8 | 9,570   | 51  |

**170' (51.8 m) Boom length**

| Radius (Feet) | Boom Angle (Degrees) | 360 Degree Rating (Pounds) | From Boom Pt. to Ground (Feet) |
|---------------|----------------------|----------------------------|--------------------------------|
| 28            | 82.9                 | 152,290                    | 177                            |
| 30            | 82.2                 | 136,630                    | 177                            |
| 35            | 80.5                 | 108,370                    | 176                            |
| 40            | 78.8                 | 88,960                     | 175                            |
| 50            | 75.4                 | 64,690                     | 173                            |
| 60            | 71.8                 | 49,710                     | 170                            |
| 70            | 68.3                 | 40,000                     | 166                            |
| 80            | 64.6                 | 32,750                     | 162                            |
| 90            | 60.8                 | 27,280                     | 156                            |
| 100           | 56.8                 | 23,020                     | 150                            |
| 110           | 52.7                 | 19,580                     | 143                            |
| 120           | 48.3                 | 16,770                     | 135                            |
| 130           | 43.6                 | 14,430                     | 125                            |
| 140           | 38.4                 | 12,430                     | 113                            |
| 150           | 32.5                 | 10,730                     | 99                             |
| 160           | 25.4                 | 9,240                      | 80                             |
| 170           | 15.3                 | 7,940                      | 52                             |

**180' (54.9 m) Boom length**

|     |      |         |     |
|-----|------|---------|-----|
| 29  | 83.0 | 143,810 | 187 |
| 30  | 82.6 | 136,360 | 187 |
| 35  | 81.0 | 108,080 | 186 |
| 40  | 79.4 | 88,640  | 185 |
| 50  | 76.2 | 64,380  | 183 |
| 60  | 72.9 | 49,370  | 180 |
| 70  | 69.5 | 39,660  | 177 |
| 80  | 66.1 | 32,400  | 173 |
| 90  | 62.5 | 26,940  | 168 |
| 100 | 58.9 | 22,660  | 162 |
| 110 | 55.1 | 19,230  | 156 |
| 120 | 51.1 | 16,420  | 148 |
| 130 | 46.8 | 14,070  | 139 |
| 140 | 42.3 | 12,080  | 129 |
| 150 | 37.2 | 10,370  | 117 |
| 160 | 31.5 | 8,880   | 102 |
| 170 | 24.6 | 7,590   | 82  |
| 180 | 14.9 | 6,430   | 54  |

**190' (57.9 m) Boom length**

|     |      |         |     |
|-----|------|---------|-----|
| 31  | 82.7 | 129,300 | 197 |
| 35  | 81.5 | 107,800 | 196 |
| 40  | 80.0 | 88,320  | 195 |
| 50  | 76.9 | 64,050  | 193 |
| 60  | 73.8 | 49,030  | 191 |
| 70  | 70.7 | 39,340  | 187 |
| 80  | 67.4 | 32,070  | 183 |
| 90  | 64.1 | 26,590  | 179 |
| 100 | 60.7 | 22,310  | 174 |
| 110 | 57.2 | 18,890  | 168 |
| 120 | 53.5 | 16,070  | 161 |
| 130 | 49.6 | 13,720  | 153 |
| 140 | 45.5 | 11,720  | 143 |
| 150 | 41.1 | 10,010  | 133 |
| 160 | 36.2 | 8,530   | 120 |
| 170 | 30.6 | 7,220   | 104 |
| 180 | 23.9 | 6,080   | 85  |
| 190 | 14.4 | 5,070   | 55  |



**WITH 77SI HAMMERHEAD TIP BOOM AND 102,000 POUND UPPER COUNTERWEIGHT**

102,000 lb 360° ANSI B 30.5

| 200' (61.0 m) Boom length |                      |                            |                                |
|---------------------------|----------------------|----------------------------|--------------------------------|
| Radius (Feet)             | Boom Angle (Degrees) | 360 Degree Rating (Pounds) | From Boom Pt. to Ground (Feet) |
| 32                        | 82.8                 | 122,830                    | 207                            |
| 35                        | 81.9                 | 107,530                    | 206                            |
| 40                        | 80.5                 | 88,030                     | 205                            |
| 50                        | 77.6                 | 63,760                     | 203                            |
| 60                        | 74.6                 | 48,720                     | 201                            |
| 70                        | 71.7                 | 39,050                     | 198                            |
| 80                        | 68.6                 | 31,760                     | 194                            |
| 90                        | 65.5                 | 26,280                     | 190                            |
| 100                       | 62.3                 | 22,010                     | 185                            |
| 110                       | 59.0                 | 18,570                     | 179                            |
| 120                       | 55.6                 | 15,750                     | 173                            |
| 130                       | 52.0                 | 13,400                     | 166                            |
| 140                       | 48.3                 | 11,410                     | 157                            |
| 150                       | 44.3                 | 9,690                      | 147                            |
| 160                       | 40.0                 | 8,210                      | 136                            |
| 170                       | 35.2                 | 6,910                      | 123                            |
| 180                       | 29.8                 | 5,770                      | 107                            |
| 190                       | 23.3                 | 4,750                      | 87                             |
| 200                       | 14.1                 | 3,850                      | 56                             |

| 220' (67.1 m) Boom length |                      |                            |                                |
|---------------------------|----------------------|----------------------------|--------------------------------|
| Radius (Feet)             | Boom Angle (Degrees) | 360 Degree Rating (Pounds) | From Boom Pt. to Ground (Feet) |
| 34                        | 82.9                 | 102,110 *                  | 226                            |
| 35                        | 82.7                 | 101,710 *                  | 226                            |
| 40                        | 81.4                 | 87,400                     | 226                            |
| 50                        | 78.7                 | 63,100                     | 224                            |
| 60                        | 76.1                 | 48,020                     | 222                            |
| 70                        | 73.4                 | 38,370                     | 219                            |
| 80                        | 70.6                 | 31,070                     | 216                            |
| 90                        | 67.8                 | 25,580                     | 212                            |
| 100                       | 65.0                 | 21,290                     | 207                            |
| 110                       | 62.1                 | 17,840                     | 202                            |
| 120                       | 59.1                 | 15,030                     | 197                            |
| 130                       | 56.0                 | 12,670                     | 190                            |
| 140                       | 52.8                 | 10,670                     | 183                            |
| 150                       | 49.4                 | 8,960                      | 175                            |
| 160                       | 45.9                 | 7,470                      | 166                            |
| 170                       | 42.1                 | 6,160                      | 155                            |
| 180                       | 38.0                 | 5,020                      | 143                            |
| 190                       | 33.5                 | 4,010                      | 129                            |
| 200                       | 28.4                 | 3,100                      | 112                            |

| 210' (64.0 m) Boom length |                      |                            |                                |
|---------------------------|----------------------|----------------------------|--------------------------------|
| Radius (Feet)             | Boom Angle (Degrees) | 360 Degree Rating (Pounds) | From Boom Pt. to Ground (Feet) |
| 33                        | 82.9                 | 112,450 *                  | 216                            |
| 35                        | 82.3                 | 107,240                    | 216                            |
| 40                        | 80.9                 | 87,720                     | 215                            |
| 50                        | 78.2                 | 63,430                     | 214                            |
| 60                        | 75.4                 | 48,360                     | 211                            |
| 70                        | 72.6                 | 38,700                     | 208                            |
| 80                        | 69.7                 | 31,420                     | 205                            |
| 90                        | 66.7                 | 25,930                     | 201                            |
| 100                       | 63.7                 | 21,650                     | 196                            |
| 110                       | 60.6                 | 18,210                     | 191                            |
| 120                       | 57.5                 | 15,390                     | 185                            |
| 130                       | 54.1                 | 13,030                     | 178                            |
| 140                       | 50.7                 | 11,040                     | 170                            |
| 150                       | 47.0                 | 9,320                      | 162                            |
| 160                       | 43.2                 | 7,830                      | 151                            |
| 170                       | 39.0                 | 6,540                      | 140                            |
| 180                       | 34.3                 | 5,390                      | 126                            |
| 190                       | 29.1                 | 4,370                      | 110                            |
| 200                       | 22.7                 | 3,460                      | 89                             |

| 230' (70.1 m) Boom length |                      |                            |                                |
|---------------------------|----------------------|----------------------------|--------------------------------|
| Radius (Feet)             | Boom Angle (Degrees) | 360 Degree Rating (Pounds) | From Boom Pt. to Ground (Feet) |
| 35                        | 83.0                 | 96,610 *                   | 236                            |
| 40                        | 81.7                 | 87,080                     | 236                            |
| 50                        | 79.2                 | 62,770                     | 234                            |
| 60                        | 76.7                 | 47,670                     | 232                            |
| 70                        | 74.1                 | 38,020                     | 229                            |
| 80                        | 71.5                 | 30,720                     | 226                            |
| 90                        | 68.9                 | 25,220                     | 223                            |
| 100                       | 66.2                 | 20,920                     | 218                            |
| 110                       | 63.4                 | 17,480                     | 214                            |
| 120                       | 60.6                 | 14,650                     | 208                            |
| 130                       | 57.7                 | 12,300                     | 202                            |
| 140                       | 54.7                 | 10,290                     | 196                            |
| 150                       | 51.5                 | 8,580                      | 188                            |
| 160                       | 48.3                 | 7,090                      | 179                            |
| 170                       | 44.8                 | 5,780                      | 170                            |
| 180                       | 41.1                 | 4,640                      | 159                            |
| 190                       | 37.2                 | 3,620                      | 147                            |

| 240' (73.2 m) Boom length |                      |                            |                                |
|---------------------------|----------------------|----------------------------|--------------------------------|
| Radius (Feet)             | Boom Angle (Degrees) | 360 Degree Rating (Pounds) | From Boom Pt. to Ground (Feet) |
| 37                        | 82.8                 | 84,390 *                   | 246                            |
| 40                        | 82.1                 | 84,000 *                   | 246                            |
| 50                        | 79.7                 | 62,440                     | 244                            |
| 60                        | 77.2                 | 47,310                     | 242                            |
| 70                        | 74.8                 | 37,680                     | 240                            |
| 80                        | 72.3                 | 30,360                     | 237                            |
| 90                        | 69.8                 | 24,860                     | 233                            |
| 100                       | 67.2                 | 20,560                     | 229                            |
| 110                       | 64.6                 | 17,110                     | 225                            |
| 120                       | 61.9                 | 14,280                     | 220                            |
| 130                       | 59.2                 | 11,920                     | 214                            |
| 140                       | 56.3                 | 9,920                      | 208                            |
| 150                       | 53.4                 | 8,200                      | 201                            |
| 160                       | 50.4                 | 6,710                      | 193                            |
| 170                       | 47.2                 | 5,410                      | 184                            |
| 180                       | 43.8                 | 4,260                      | 174                            |
| 190                       | 40.2                 | 3,240                      | 163                            |



**WITH 77SI HAMMERHEAD TIP BOOM AND 116,400 POUND COUNTERWEIGHT**

108,400 lb + 8,000 lb carbody counterweight

360°

ANSI B 30.5

**50' (15.2 m) Boom length**

| Radius (Feet) | Boom Angle (Degrees) | 360 Degree Rating (Pounds) | From Boom Pt. to Ground (Feet) |
|---------------|----------------------|----------------------------|--------------------------------|
| 14            | 81.9                 | 330,000*                   | 58                             |
| 15            | 80.8                 | 330,000*                   | 57                             |
| 20            | 75.0                 | 285,140                    | 56                             |
| 25            | 68.9                 | 193,760                    | 55                             |
| 30            | 62.7                 | 145,760                    | 52                             |
| 35            | 55.9                 | 116,200                    | 49                             |
| 40            | 48.5                 | 96,080                     | 45                             |
| 50            | 29.5                 | 70,550                     | 32                             |

**60' (18.3 m) Boom length**

| Radius (Feet) | Boom Angle (Degrees) | 360 Degree Rating (Pounds) | From Boom Pt. to Ground (Feet) |
|---------------|----------------------|----------------------------|--------------------------------|
| 15            | 82.3                 | 330,000*                   | 68                             |
| 20            | 77.5                 | 285,570                    | 67                             |
| 25            | 72.6                 | 194,080                    | 65                             |
| 30            | 67.5                 | 145,990                    | 63                             |
| 35            | 62.2                 | 116,410                    | 61                             |
| 40            | 56.6                 | 96,260                     | 58                             |
| 50            | 44.0                 | 70,760                     | 49                             |
| 60            | 26.7                 | 55,120                     | 35                             |

**70' (21.3 m) Boom length**

| Radius (Feet) | Boom Angle (Degrees) | 360 Degree Rating (Pounds) | From Boom Pt. to Ground (Feet) |
|---------------|----------------------|----------------------------|--------------------------------|
| 16            | 82.6                 | 330,000*                   | 78                             |
| 20            | 79.3                 | 285,800                    | 77                             |
| 25            | 75.1                 | 194,230                    | 76                             |
| 30            | 70.8                 | 146,080                    | 74                             |
| 35            | 66.5                 | 116,490                    | 72                             |
| 40            | 61.9                 | 96,310                     | 70                             |
| 50            | 52.0                 | 70,820                     | 63                             |
| 60            | 40.5                 | 55,190                     | 53                             |
| 70            | 24.6                 | 44,650                     | 37                             |

**80' (24.4 m) Boom length**

| Radius (Feet) | Boom Angle (Degrees) | 360 Degree Rating (Pounds) | From Boom Pt. to Ground (Feet) |
|---------------|----------------------|----------------------------|--------------------------------|
| 17            | 82.8                 | 330,000*                   | 87                             |
| 20            | 80.6                 | 285,890                    | 87                             |
| 25            | 77.0                 | 194,240                    | 86                             |
| 30            | 73.3                 | 146,050                    | 85                             |
| 35            | 69.6                 | 116,420                    | 83                             |
| 40            | 65.7                 | 96,230                     | 81                             |
| 50            | 57.5                 | 70,730                     | 75                             |
| 60            | 48.4                 | 55,100                     | 68                             |
| 70            | 37.7                 | 44,570                     | 57                             |
| 80            | 22.9                 | 37,050                     | 39                             |

**90' (27.4 m) Boom length**

| Radius (Feet) | Boom Angle (Degrees) | 360 Degree Rating (Pounds) | From Boom Pt. to Ground (Feet) |
|---------------|----------------------|----------------------------|--------------------------------|
| 18            | 82.9                 | 330,000*                   | 97                             |
| 20            | 81.7                 | 285,910                    | 97                             |
| 25            | 78.5                 | 194,190                    | 96                             |
| 30            | 75.2                 | 145,960                    | 95                             |
| 35            | 71.9                 | 116,320                    | 94                             |
| 40            | 68.5                 | 96,090                     | 92                             |
| 50            | 61.5                 | 70,590                     | 87                             |
| 60            | 53.9                 | 54,950                     | 81                             |
| 70            | 45.4                 | 44,430                     | 72                             |
| 80            | 35.4                 | 36,960                     | 60                             |
| 90            | 21.5                 | 31,200                     | 40                             |

**100' (30.5 m) Boom length**

| Radius (Feet) | Boom Angle (Degrees) | 360 Degree Rating (Pounds) | From Boom Pt. to Ground (Feet) |
|---------------|----------------------|----------------------------|--------------------------------|
| 20            | 82.5                 | 285,920                    | 107                            |
| 25            | 79.6                 | 194,160                    | 106                            |
| 30            | 76.7                 | 145,880                    | 105                            |
| 35            | 73.8                 | 116,230                    | 104                            |
| 40            | 70.8                 | 95,990                     | 102                            |
| 50            | 64.6                 | 70,490                     | 98                             |
| 60            | 58.0                 | 54,840                     | 93                             |
| 70            | 50.9                 | 44,310                     | 85                             |
| 80            | 43.0                 | 36,890                     | 76                             |
| 90            | 33.5                 | 31,150                     | 63                             |
| 100           | 20.3                 | 26,640                     | 42                             |

**110' (33.5 m) Boom length**

| Radius (Feet) | Boom Angle (Degrees) | 360 Degree Rating (Pounds) | From Boom Pt. to Ground (Feet) |
|---------------|----------------------|----------------------------|--------------------------------|
| 21            | 82.7                 | 261,440                    | 117                            |
| 25            | 80.6                 | 194,020                    | 117                            |
| 30            | 77.9                 | 145,710                    | 116                            |
| 35            | 75.3                 | 116,040                    | 114                            |
| 40            | 72.6                 | 95,760                     | 113                            |
| 50            | 67.0                 | 70,260                     | 109                            |
| 60            | 61.2                 | 54,590                     | 104                            |
| 70            | 55.0                 | 44,050                     | 98                             |
| 80            | 48.3                 | 36,660                     | 90                             |
| 90            | 40.8                 | 30,920                     | 80                             |
| 100           | 31.8                 | 26,430                     | 66                             |
| 110           | 19.3                 | 22,810                     | 44                             |

**120' (36.6 m) Boom length**

| Radius (Feet) | Boom Angle (Degrees) | 360 Degree Rating (Pounds) | From Boom Pt. to Ground (Feet) |
|---------------|----------------------|----------------------------|--------------------------------|
| 22            | 82.8                 | 240,680                    | 127                            |
| 25            | 81.4                 | 193,870                    | 127                            |
| 30            | 78.9                 | 145,510                    | 126                            |
| 35            | 76.5                 | 115,830                    | 125                            |
| 40            | 74.1                 | 95,530                     | 123                            |
| 50            | 69.0                 | 70,020                     | 120                            |
| 60            | 63.8                 | 54,330                     | 116                            |
| 70            | 58.3                 | 43,790                     | 110                            |
| 80            | 52.5                 | 36,420                     | 103                            |
| 90            | 46.2                 | 30,680                     | 94                             |
| 100           | 39.0                 | 26,190                     | 83                             |
| 110           | 30.4                 | 22,590                     | 68                             |
| 120           | 18.4                 | 19,610                     | 45                             |

**130' (39.6 m) Boom length**

| Radius (Feet) | Boom Angle (Degrees) | 360 Degree Rating (Pounds) | From Boom Pt. to Ground (Feet) |
|---------------|----------------------|----------------------------|--------------------------------|
| 23            | 82.9                 | 222,590                    | 137                            |
| 25            | 82.0                 | 193,690                    | 137                            |
| 30            | 79.8                 | 145,290                    | 136                            |
| 35            | 77.6                 | 115,590                    | 135                            |
| 40            | 75.3                 | 95,260                     | 134                            |
| 50            | 70.7                 | 69,740                     | 131                            |
| 60            | 66.0                 | 54,040                     | 127                            |
| 70            | 61.0                 | 43,470                     | 122                            |
| 80            | 55.8                 | 36,130                     | 115                            |
| 90            | 50.3                 | 30,400                     | 108                            |
| 100           | 44.2                 | 25,910                     | 98                             |
| 110           | 37.4                 | 22,310                     | 87                             |
| 120           | 29.2                 | 19,340                     | 71                             |
| 130           | 17.6                 | 16,860                     | 47                             |

**WITH 77SI HAMMERHEAD TIP BOOM AND 116,400 POUND COUNTERWEIGHT**

108,400 lb + 8,000 lb carbody counterweight

360°

ANSI B 30.5

| 140' (42.7 m) Boom length |                      |                            |                                |
|---------------------------|----------------------|----------------------------|--------------------------------|
| Radius (Feet)             | Boom Angle (Degrees) | 360 Degree Rating (Pounds) | From Boom Pt. to Ground (Feet) |
| 25                        | 82.6                 | 193,500                    | 147                            |
| 30                        | 80.5                 | 145,050                    | 146                            |
| 35                        | 78.5                 | 115,340                    | 145                            |
| 40                        | 76.4                 | 94,980                     | 144                            |
| 50                        | 72.1                 | 69,460                     | 141                            |
| 60                        | 67.8                 | 53,740                     | 138                            |
| 70                        | 63.3                 | 43,170                     | 133                            |
| 80                        | 58.6                 | 35,840                     | 127                            |
| 90                        | 53.6                 | 30,110                     | 121                            |
| 100                       | 48.3                 | 25,630                     | 112                            |
| 110                       | 42.5                 | 22,020                     | 102                            |
| 120                       | 35.9                 | 19,060                     | 90                             |
| 130                       | 28.0                 | 16,590                     | 73                             |
| 140                       | 17.0                 | 14,480                     | 48                             |

| 150' (45.7 m) Boom length |                      |                            |                                |
|---------------------------|----------------------|----------------------------|--------------------------------|
| Radius (Feet)             | Boom Angle (Degrees) | 360 Degree Rating (Pounds) | From Boom Pt. to Ground (Feet) |
| 26                        | 82.7                 | 181,270                    | 157                            |
| 30                        | 81.2                 | 144,850                    | 156                            |
| 35                        | 79.2                 | 115,120                    | 155                            |
| 40                        | 77.3                 | 94,740                     | 154                            |
| 50                        | 73.3                 | 69,210                     | 152                            |
| 60                        | 69.3                 | 53,480                     | 148                            |
| 70                        | 65.2                 | 42,900                     | 144                            |
| 80                        | 60.9                 | 35,600                     | 139                            |
| 90                        | 56.4                 | 29,860                     | 133                            |
| 100                       | 51.7                 | 25,370                     | 126                            |
| 110                       | 46.6                 | 21,780                     | 117                            |
| 120                       | 41.0                 | 18,810                     | 106                            |
| 130                       | 34.7                 | 16,340                     | 93                             |
| 140                       | 27.1                 | 14,240                     | 76                             |
| 150                       | 16.4                 | 12,440                     | 50                             |

| 160' (48.8 m) Boom length |                      |                            |                                |
|---------------------------|----------------------|----------------------------|--------------------------------|
| Radius (Feet)             | Boom Angle (Degrees) | 360 Degree Rating (Pounds) | From Boom Pt. to Ground (Feet) |
| 27                        | 82.8                 | 170,310                    | 167                            |
| 30                        | 81.7                 | 144,600                    | 166                            |
| 35                        | 79.9                 | 114,850                    | 166                            |
| 40                        | 78.1                 | 94,450                     | 165                            |
| 50                        | 74.4                 | 68,910                     | 162                            |
| 60                        | 70.7                 | 53,160                     | 159                            |
| 70                        | 66.8                 | 42,570                     | 155                            |
| 80                        | 62.9                 | 35,280                     | 150                            |
| 90                        | 58.8                 | 29,530                     | 145                            |
| 100                       | 54.5                 | 25,050                     | 138                            |
| 110                       | 49.9                 | 21,440                     | 130                            |
| 120                       | 45.0                 | 18,490                     | 121                            |
| 130                       | 39.6                 | 16,010                     | 110                            |
| 140                       | 33.5                 | 13,910                     | 96                             |
| 150                       | 26.2                 | 12,120                     | 78                             |
| 160                       | 15.8                 | 10,550                     | 51                             |

| 170' (51.8 m) Boom length |                      |                            |                                |
|---------------------------|----------------------|----------------------------|--------------------------------|
| Radius (Feet)             | Boom Angle (Degrees) | 360 Degree Rating (Pounds) | From Boom Pt. to Ground (Feet) |
| 28                        | 82.9                 | 160,840                    | 177                            |
| 30                        | 82.2                 | 144,350                    | 177                            |
| 35                        | 80.5                 | 114,590                    | 176                            |
| 40                        | 78.8                 | 94,160                     | 175                            |
| 50                        | 75.4                 | 68,600                     | 173                            |
| 60                        | 71.8                 | 52,840                     | 170                            |
| 70                        | 68.3                 | 42,230                     | 166                            |
| 80                        | 64.6                 | 34,960                     | 162                            |
| 90                        | 60.8                 | 29,210                     | 156                            |
| 100                       | 56.8                 | 24,720                     | 150                            |
| 110                       | 52.7                 | 21,110                     | 143                            |
| 120                       | 48.3                 | 18,150                     | 135                            |
| 130                       | 43.6                 | 15,690                     | 125                            |
| 140                       | 38.4                 | 13,590                     | 113                            |
| 150                       | 32.5                 | 11,790                     | 99                             |
| 160                       | 25.4                 | 10,230                     | 80                             |
| 170                       | 15.3                 | 8,860                      | 52                             |

| 180' (54.9 m) Boom length |                      |                            |                                |
|---------------------------|----------------------|----------------------------|--------------------------------|
| Radius (Feet)             | Boom Angle (Degrees) | 360 Degree Rating (Pounds) | From Boom Pt. to Ground (Feet) |
| 29                        | 83.0                 | 151,930                    | 187                            |
| 30                        | 82.6                 | 144,080                    | 187                            |
| 35                        | 81.0                 | 114,310                    | 186                            |
| 40                        | 79.4                 | 93,850                     | 185                            |
| 50                        | 76.2                 | 68,290                     | 183                            |
| 60                        | 72.9                 | 52,500                     | 180                            |
| 70                        | 69.5                 | 41,870                     | 177                            |
| 80                        | 66.1                 | 34,620                     | 173                            |
| 90                        | 62.5                 | 28,870                     | 168                            |
| 100                       | 58.9                 | 24,380                     | 162                            |
| 110                       | 55.1                 | 20,760                     | 156                            |
| 120                       | 51.1                 | 17,800                     | 148                            |
| 130                       | 46.8                 | 15,330                     | 139                            |
| 140                       | 42.3                 | 13,240                     | 129                            |
| 150                       | 37.2                 | 11,440                     | 117                            |
| 160                       | 31.5                 | 9,880                      | 102                            |
| 170                       | 24.6                 | 8,510                      | 82                             |
| 180                       | 14.9                 | 7,300                      | 54                             |

| 190' (57.9 m) Boom length |                      |                            |                                |
|---------------------------|----------------------|----------------------------|--------------------------------|
| Radius (Feet)             | Boom Angle (Degrees) | 360 Degree Rating (Pounds) | From Boom Pt. to Ground (Feet) |
| 31                        | 82.7                 | 136,680                    | 197                            |
| 35                        | 81.5                 | 114,030                    | 196                            |
| 40                        | 80.0                 | 93,530                     | 195                            |
| 50                        | 76.9                 | 67,970                     | 193                            |
| 60                        | 73.8                 | 52,160                     | 191                            |
| 70                        | 70.7                 | 41,530                     | 187                            |
| 80                        | 67.4                 | 34,300                     | 183                            |
| 90                        | 64.1                 | 28,530                     | 179                            |
| 100                       | 60.7                 | 24,030                     | 174                            |
| 110                       | 57.2                 | 20,430                     | 168                            |
| 120                       | 53.5                 | 17,460                     | 161                            |
| 130                       | 49.6                 | 14,990                     | 153                            |
| 140                       | 45.5                 | 12,890                     | 143                            |
| 150                       | 41.1                 | 11,090                     | 133                            |
| 160                       | 36.2                 | 9,530                      | 120                            |
| 170                       | 30.6                 | 8,160                      | 104                            |
| 180                       | 23.9                 | 6,960                      | 85                             |
| 190                       | 14.4                 | 5,890                      | 55                             |



**WITH 77SI HAMMERHEAD TIP BOOM AND 116,400 POUND COUNTERWEIGHT**

108,400 lb + 8,000 lb carbody counterweight

360°

ANSI B 30.5

| 200' (61.0 m) Boom length |                      |                            |                                |
|---------------------------|----------------------|----------------------------|--------------------------------|
| Radius (Feet)             | Boom Angle (Degrees) | 360 Degree Rating (Pounds) | From Boom Pt. to Ground (Feet) |
| 32                        | 82.8                 | 126,040*                   | 207                            |
| 35                        | 81.9                 | 113,770                    | 206                            |
| 40                        | 80.5                 | 93,250                     | 205                            |
| 50                        | 77.6                 | 67,690                     | 203                            |
| 60                        | 74.6                 | 51,850                     | 201                            |
| 70                        | 71.7                 | 41,220                     | 198                            |
| 80                        | 68.6                 | 33,990                     | 194                            |
| 90                        | 65.5                 | 28,230                     | 190                            |
| 100                       | 62.3                 | 23,730                     | 185                            |
| 110                       | 59.0                 | 20,120                     | 179                            |
| 120                       | 55.6                 | 17,150                     | 173                            |
| 130                       | 52.0                 | 14,680                     | 166                            |
| 140                       | 48.3                 | 12,580                     | 157                            |
| 150                       | 44.3                 | 10,770                     | 147                            |
| 160                       | 40.0                 | 9,220                      | 136                            |
| 170                       | 35.2                 | 7,850                      | 123                            |
| 180                       | 29.8                 | 6,650                      | 107                            |
| 190                       | 23.3                 | 5,580                      | 87                             |
| 200                       | 14.1                 | 4,620                      | 56                             |

| 220' (67.1 m) Boom length |                      |                            |                                |
|---------------------------|----------------------|----------------------------|--------------------------------|
| Radius (Feet)             | Boom Angle (Degrees) | 360 Degree Rating (Pounds) | From Boom Pt. to Ground (Feet) |
| 34                        | 82.9                 | 102,050*                   | 226                            |
| 35                        | 82.7                 | 101,650*                   | 226                            |
| 40                        | 81.4                 | 92,630                     | 226                            |
| 50                        | 78.7                 | 67,030                     | 224                            |
| 60                        | 76.1                 | 51,160                     | 222                            |
| 70                        | 73.4                 | 40,500                     | 219                            |
| 80                        | 70.6                 | 33,310                     | 216                            |
| 90                        | 67.8                 | 27,530                     | 212                            |
| 100                       | 65.0                 | 23,020                     | 207                            |
| 110                       | 62.1                 | 19,400                     | 202                            |
| 120                       | 59.1                 | 16,430                     | 197                            |
| 130                       | 56.0                 | 13,950                     | 190                            |
| 140                       | 52.8                 | 11,850                     | 183                            |
| 150                       | 49.4                 | 10,050                     | 175                            |
| 160                       | 45.9                 | 8,480                      | 166                            |
| 170                       | 42.1                 | 7,110                      | 155                            |
| 180                       | 38.0                 | 5,900                      | 143                            |
| 190                       | 33.5                 | 4,840                      | 129                            |
| 200                       | 28.4                 | 3,880                      | 112                            |
| 210                       | 22.2                 | 3,020                      | 91                             |

| 210' (64.0 m) Boom length |                      |                            |                                |
|---------------------------|----------------------|----------------------------|--------------------------------|
| Radius (Feet)             | Boom Angle (Degrees) | 360 Degree Rating (Pounds) | From Boom Pt. to Ground (Feet) |
| 33                        | 82.9                 | 112,390*                   | 216                            |
| 35                        | 82.3                 | 112,030*                   | 216                            |
| 40                        | 80.9                 | 92,940                     | 215                            |
| 50                        | 78.2                 | 67,360                     | 214                            |
| 60                        | 75.4                 | 51,510                     | 211                            |
| 70                        | 72.6                 | 40,860                     | 208                            |
| 80                        | 69.7                 | 33,660                     | 205                            |
| 90                        | 66.7                 | 27,880                     | 201                            |
| 100                       | 63.7                 | 23,370                     | 196                            |
| 110                       | 60.6                 | 19,750                     | 191                            |
| 120                       | 57.5                 | 16,790                     | 185                            |
| 130                       | 54.1                 | 14,310                     | 178                            |
| 140                       | 50.7                 | 12,210                     | 170                            |
| 150                       | 47.0                 | 10,410                     | 162                            |
| 160                       | 43.2                 | 8,840                      | 151                            |
| 170                       | 39.0                 | 7,480                      | 140                            |
| 180                       | 34.3                 | 6,270                      | 126                            |
| 190                       | 29.1                 | 5,200                      | 110                            |
| 200                       | 22.7                 | 4,240                      | 89                             |
| 210                       | 13.7                 | 3,390                      | 57                             |

| 230' (70.1 m) Boom length |                      |                            |                                |
|---------------------------|----------------------|----------------------------|--------------------------------|
| Radius (Feet)             | Boom Angle (Degrees) | 360 Degree Rating (Pounds) | From Boom Pt. to Ground (Feet) |
| 35                        | 83.0                 | 92,560*                    | 236                            |
| 40                        | 81.7                 | 92,150*                    | 236                            |
| 50                        | 79.2                 | 66,710                     | 234                            |
| 60                        | 76.7                 | 50,820                     | 232                            |
| 70                        | 74.1                 | 40,130                     | 229                            |
| 80                        | 71.5                 | 32,960                     | 226                            |
| 90                        | 68.9                 | 27,180                     | 223                            |
| 100                       | 66.2                 | 22,660                     | 218                            |
| 110                       | 63.4                 | 19,030                     | 214                            |
| 120                       | 60.6                 | 16,060                     | 208                            |
| 130                       | 57.7                 | 13,580                     | 202                            |
| 140                       | 54.7                 | 11,470                     | 196                            |
| 150                       | 51.5                 | 9,670                      | 188                            |
| 160                       | 48.3                 | 8,110                      | 179                            |
| 170                       | 44.8                 | 6,730                      | 170                            |
| 180                       | 41.1                 | 5,530                      | 159                            |
| 190                       | 37.2                 | 4,460                      | 147                            |
| 200                       | 32.8                 | 3,490                      | 132                            |

| 240' (73.2 m) Boom length |                      |                            |                                |
|---------------------------|----------------------|----------------------------|--------------------------------|
| Radius (Feet)             | Boom Angle (Degrees) | 360 Degree Rating (Pounds) | From Boom Pt. to Ground (Feet) |
| 37                        | 82.8                 | 84,340*                    | 246                            |
| 40                        | 82.1                 | 83,950*                    | 246                            |
| 50                        | 79.7                 | 66,380                     | 244                            |
| 60                        | 77.2                 | 50,470                     | 242                            |
| 70                        | 74.8                 | 40,310                     | 240                            |
| 80                        | 72.3                 | 32,610                     | 237                            |
| 90                        | 69.8                 | 26,820                     | 233                            |
| 100                       | 67.2                 | 22,290                     | 229                            |
| 110                       | 64.6                 | 18,670                     | 225                            |
| 120                       | 61.9                 | 15,690                     | 220                            |
| 130                       | 59.2                 | 13,210                     | 214                            |
| 140                       | 56.3                 | 11,100                     | 208                            |
| 150                       | 53.4                 | 9,300                      | 201                            |
| 160                       | 50.4                 | 7,730                      | 193                            |
| 170                       | 47.2                 | 6,360                      | 184                            |
| 180                       | 43.8                 | 5,150                      | 174                            |
| 190                       | 40.2                 | 4,080                      | 163                            |
| 200                       | 36.3                 | 3,120                      | 150                            |

**NOTES TO LIFTING CAPACITY**

**⚠ Warning**

This rating chart is invalid if the crane has been modified or altered by use of other than GENUINE AMERICAN PARTS as such modifications or alterations may affect its capacity or safe operation. See American Crane Corporation Service Bulliten #259.

Ratings in this chart are in POUNDS and do not exceed the percentage of tipping specified for this crane by ANSI B30.5. All ratings require that the crane be standing level on a firm uniformly supporting surface.

Do not lift loads in excess of those shown on this chart. Lifting loads in excess of those shown or operation not in accordance with good operating practice, including limitations shown on page 3499 of Operator's Manual, can cause tipping, structural damage or catastrophic failure.

Asterisk (\*) areas on this chart indicate ratings which are limited by strength of material or factors other than stability (tipping).

„RADIUS IN FEET“ is the horizontal distance at ground level from the crane centerline of rotation to a vertical line through the center of gravity of the suspended load.

When using the main boom fall with jib in place, the main fall ratings must be reduced by the jib effective weight shown on the jib rating chart plus twice the weight of all suspended blocks, slings, rope, etc., at the jib fall. See Appendix A.

When using the main boom fall with boom tip extension in place, the main fall ratings must be reduced by the weight of the boom tip extension plus twice the weight of all suspended blocks, slings, rope, etc., at the boom tip extension fall. See Appendix A.

Blocks, slings, buckets and other load carrying devices are considered part of the load. The weight of standard hoisting ropes for the rating at a given radius has been calculated as part of the boom point load and need not be considered in determining net allowable loads. See Appendix A.

This chart was developed exclusively for use with a boom only. Under no circumstances are these ratings to be interpreted for use with a jib.

Ratings shown on this chart make no allowance for such factors as out of plumb loads, wind, poor soil conditions, improper inflation of rubber tires and dynamic effects due to excessive operating speeds. The user (operator) must exercise judgement to make allowance for these conditions. See page 3499 of Operator's Manual for detailed information.

No account is taken of the wind force on the load. This effect, which can be substantial for loads with large surface areas, must be considered by the user. In any wind it is strongly recommended that taglines be used to control the load.

BOOM HOIST LINE is 14 parts of 7/8 inch diameter EIPS wire rope with a minimum breaking strength of 79,600 pound.

PENDANT SUSPENSION LINE is 4 parts of 1.375 inch diameter EEIPS wire rope with a minimum breaking strength of 211,000 pound.

MAIN LOAD LINE – 1.125 inch diameter EIPS wire rope with a minimum breaking strength of 130,000 pound.

ALTERNATE LOAD LINE (ROTATION RESISTANT) – 1.125 inch diameter BRIDON ENDURANCE DYFORM 34LR Grade 2160 wire rope with a minimum breaking strength of 167,200 pound.

**ERECTION**

Erection „OVER THE END“ is with the boom over the idler end with idler tumblers blocked (See operator's manual for blocking instructions). Erection „OVER THE SIDE“ is with the boom 90° to the sideframes and with the side frames extended. Blocks, slings and other load carrying devices must be on the ground during erection.

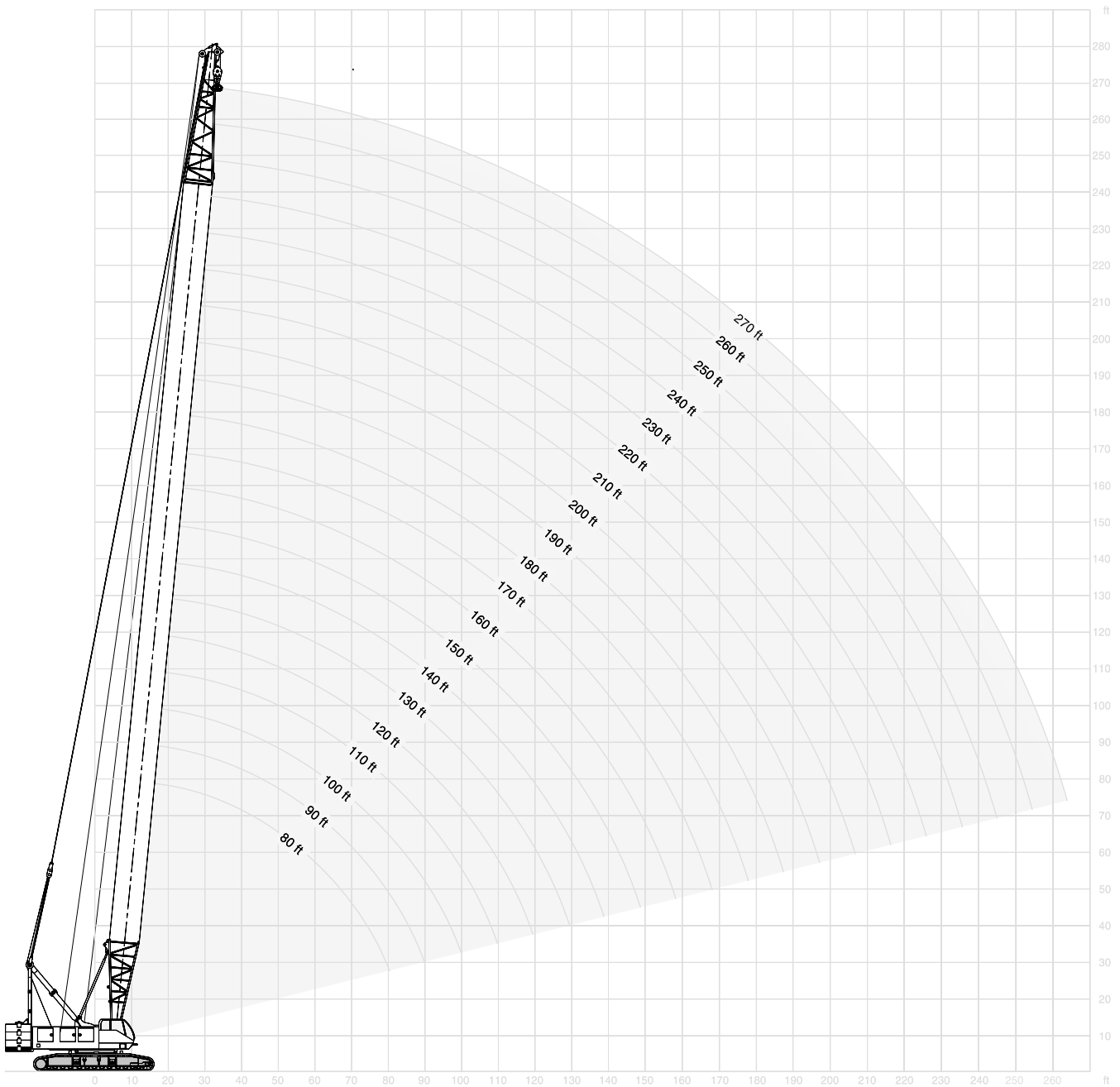
| 77SI HAMMERHEAD BOOM<br>MAXIMUM BOOM & JIB SELF-ERECTION DATA |                    |                   |                    |                   |
|---|--------------------|-------------------|--------------------|-------------------|
|   | OVER THE END       |                   | OVER THE SIDE      |                   |
|   | BOOM LENGTH (FEET) | JIB LENGTH (FEET) | BOOM LENGTH (FEET) | JIB LENGTH (FEET) |
| #16HL JIB   | 240                | 0                 | 220                | 0                 |
|   | 230                | 0                 | 210                | 40                |
|   | 220                | 80                | 200                | 80                |

| LOAD HOISTING INFORMATION - 1.125 inch diameter EIPS wire rope |                       |                                  |               |
|--|-----------------------|----------------------------------|---------------|
| MAXIMUM LIFTING CAPACITY - LBS.                                | MINIMUM PARTS OF LINE | MAXIMUM HOISTING DISTANCE - FEET |               |
|  |                       | MAIN - (FRONT)                   | AUX. - (REAR) |
| 330,000  | 9                     | 145                              | 145           |
| 297,120  | 8                     | 164                              | 164           |
| 259,980  | 7                     | 187                              | 187           |
| 222,840  | 6                     | 218                              | 218           |
| 185,700  | 5                     | 262                              | 262           |
| 148,560  | 4                     | 328                              | 328           |
| 111,420  | 3                     | 437                              | 437           |
| 74,280   | 2                     | 656                              | 656           |
| 37,140   | 1                     | 1,312                            | 1,312         |

| LOAD HOISTING INFORMATION<br>(ROTATION RESISTANT LOAD LINE)<br>1.125 inch diameter BRIDON ENDURANCE DYFORM 34LR Grade 2160 wire rope |                       |                                  |               |
|--|-----------------------|----------------------------------|---------------|
| MAXIMUM LIFTING CAPACITY - LBS.  | MINIMUM PARTS OF LINE | MAXIMUM HOISTING DISTANCE - FEET |               |
|  |                       | MAIN - (FRONT)                   | AUX. - (REAR) |
| 330,000  | 10                    | 131                              | 131           |
| 300,960  | 9                     | 145                              | 145           |
| 267,520  | 8                     | 164                              | 164           |
| 234,080  | 7                     | 187                              | 187           |
| 200,640  | 6                     | 218                              | 218           |
| 167,200  | 5                     | 262                              | 262           |
| 133,760  | 4                     | 328                              | 328           |
| 100,320  | 3                     | 437                              | 437           |
| 66,880   | 2                     | 656                              | 656           |
| 33,440   | 1                     | 1,312                            | 1,312         |

| 77SI HAMMERHEAD<br>BOOM COMPOSITION CHART |                    |                               |                               |                               |                                |                                 |                             |
|---|--------------------|-------------------------------|-------------------------------|-------------------------------|--------------------------------|---------------------------------|-----------------------------|
| BOOM LENGTH (METERS)                      | BOOM LENGTH (FEET) | BOOM SECTIONS                 |                               |                               |                                |                                 |                             |
|   |                    | 9.1 M<br>30'<br>77SI<br>INNER | 3.0 M<br>10'<br>77S<br>CENTER | 6.1 M<br>20'<br>77S<br>CENTER | 15.2 M<br>50'<br>77S<br>CENTER | 5.9 M<br>19.5'<br>77HL<br>OUTER | 0 M<br>0'<br>HAMMER<br>HEAD |
| 15.2 M                                    | 50                 | 1                             | 0                             | 0                             | 0                              | 1                               | 1                           |
| 18.3 M                                    | 60                 | 1                             | 1                             | 0                             | 0                              | 1                               | 1                           |
| 21.3 M                                    | 70                 | 1                             | 0                             | 1                             | 0                              | 1                               | 1                           |
| 24.4 M                                    | 80                 | 1                             | 1                             | 1                             | 0                              | 1                               | 1                           |
| 27.4 M                                    | 90                 | 1                             | 0                             | 2                             | 0                              | 1                               | 1                           |
| 30.5 M                                    | 100                | 1                             | 0                             | 0                             | 1                              | 1                               | 1                           |
| 33.5 M                                    | 110                | 1                             | 1                             | 0                             | 1                              | 1                               | 1                           |
| 36.6 M                                    | 120                | 1                             | 0                             | 1                             | 1                              | 1                               | 1                           |
| 39.6 M                                    | 130                | 1                             | 1                             | 1                             | 1                              | 1                               | 1                           |
| 42.7 M                                    | 140                | 1                             | 0                             | 2                             | 1                              | 1                               | 1                           |
| 45.7 M                                    | 150                | 1                             | 0                             | 0                             | 2                              | 1                               | 1                           |
| 48.8 M                                    | 160                | 1                             | 1                             | 0                             | 2                              | 1                               | 1                           |
| 51.8 M                                    | 170                | 1                             | 0                             | 1                             | 2                              | 1                               | 1                           |
| 54.9 M                                    | 180                | 1                             | 1                             | 1                             | 2                              | 1                               | 1                           |
| 57.9 M                                    | 190                | 1                             | 0                             | 2                             | 2                              | 1                               | 1                           |
| 61.0 M                                    | 200                | 1                             | 0                             | 0                             | 3                              | 1                               | 1                           |
| 64.0 M                                    | 210                | 1                             | 1                             | 0                             | 3                              | 1                               | 1                           |
| 67.1 M                                    | 220                | 1                             | 0                             | 1                             | 3                              | 1                               | 1                           |
| 70.1 M                                    | 230                | 1                             | 1                             | 1                             | 3                              | 1                               | 1                           |
| 73.2 M                                    | 240                | 1                             | 0                             | 2                             | 3                              | 1                               | 1                           |

**RANGE DIAGRAM, 77SI OFFSET TIP BOOM**



**WITH 77SI OFFSET TIP BOOM AND 102,000 POUND UPPER COUNTERWEIGHT**

102,000 lb

360°

ANSI B 30.5

| <b>80' (24.4 m) Boom length</b> |                      |                            |                                |
|---------------------------------|----------------------|----------------------------|--------------------------------|
| Radius (Feet)                   | Boom Angle (Degrees) | 360 Degree Rating (Pounds) | From Boom Pt. to Ground (Feet) |
| 17                              | 81.0                 | 235,130 *                  | 86                             |
| 20                              | 78.8                 | 235,130 *                  | 86                             |
| 25                              | 75.1                 | 184,750                    | 84                             |
| 30                              | 71.4                 | 139,390                    | 83                             |
| 35                              | 67.5                 | 111,510                    | 81                             |
| 40                              | 63.6                 | 92,490                     | 79                             |
| 50                              | 55.3                 | 68,510                     | 73                             |
| 60                              | 46.0                 | 53,820                     | 65                             |
| 70                              | 35.0                 | 43,940                     | 53                             |
| 80                              | 19.2                 | 36,910                     | 33                             |

| <b>90' (27.4 m) Boom length</b> |                      |                            |                                |
|---------------------------------|----------------------|----------------------------|--------------------------------|
| Radius (Feet)                   | Boom Angle (Degrees) | 360 Degree Rating (Pounds) | From Boom Pt. to Ground (Feet) |
| 19                              | 80.7                 | 234,610 *                  | 96                             |
| 20                              | 80.0                 | 230,880 *                  | 96                             |
| 25                              | 76.8                 | 184,680                    | 95                             |
| 30                              | 73.5                 | 139,270                    | 93                             |
| 35                              | 70.1                 | 111,380                    | 92                             |
| 40                              | 66.7                 | 92,330                     | 90                             |
| 50                              | 59.6                 | 68,350                     | 85                             |
| 60                              | 51.9                 | 53,640                     | 78                             |
| 70                              | 43.2                 | 43,750                     | 69                             |
| 80                              | 32.9                 | 36,750                     | 56                             |
| 90                              | 18.0                 | 31,380                     | 35                             |

| <b>100' (30.5 m) Boom length</b> |                      |                            |                                |
|----------------------------------|----------------------|----------------------------|--------------------------------|
| Radius (Feet)                    | Boom Angle (Degrees) | 360 Degree Rating (Pounds) | From Boom Pt. to Ground (Feet) |
| 21                               | 80.5                 | 221,940 *                  | 106                            |
| 25                               | 78.1                 | 184,560                    | 105                            |
| 30                               | 75.2                 | 139,120                    | 104                            |
| 35                               | 72.2                 | 111,220                    | 102                            |
| 40                               | 69.2                 | 92,150                     | 101                            |
| 50                               | 62.9                 | 68,150                     | 96                             |
| 60                               | 56.2                 | 53,430                     | 90                             |
| 70                               | 49.0                 | 43,530                     | 83                             |
| 80                               | 40.9                 | 36,570                     | 73                             |
| 90                               | 31.2                 | 31,180                     | 59                             |
| 100                              | 17.1                 | 26,980                     | 37                             |

| <b>110' (33.5 m) Boom length</b> |                      |                            |                                |
|----------------------------------|----------------------|----------------------------|--------------------------------|
| Radius (Feet)                    | Boom Angle (Degrees) | 360 Degree Rating (Pounds) | From Boom Pt. to Ground (Feet) |
| 22                               | 80.8                 | 213,950 *                  | 116                            |
| 25                               | 79.2                 | 184,380                    | 115                            |
| 30                               | 76.6                 | 138,910                    | 114                            |
| 35                               | 73.9                 | 110,990                    | 113                            |
| 40                               | 71.1                 | 91,900                     | 111                            |
| 50                               | 65.5                 | 67,910                     | 107                            |
| 60                               | 59.7                 | 53,160                     | 102                            |
| 70                               | 53.4                 | 43,260                     | 95                             |
| 80                               | 46.6                 | 36,310                     | 87                             |
| 90                               | 38.9                 | 30,930                     | 76                             |
| 100                              | 29.7                 | 26,720                     | 62                             |
| 110                              | 16.3                 | 23,360                     | 38                             |

| <b>120' (36.6 m) Boom length</b> |                      |                            |                                |
|----------------------------------|----------------------|----------------------------|--------------------------------|
| Radius (Feet)                    | Boom Angle (Degrees) | 360 Degree Rating (Pounds) | From Boom Pt. to Ground (Feet) |
| 24                               | 80.6                 | 196,990                    | 125                            |
| 25                               | 80.1                 | 184,190                    | 125                            |
| 30                               | 77.7                 | 138,670                    | 124                            |
| 35                               | 75.2                 | 110,750                    | 123                            |
| 40                               | 72.8                 | 91,640                     | 122                            |
| 50                               | 67.7                 | 67,650                     | 118                            |
| 60                               | 62.4                 | 52,890                     | 113                            |
| 70                               | 56.9                 | 42,970                     | 108                            |
| 80                               | 51.0                 | 36,050                     | 100                            |
| 90                               | 44.5                 | 30,660                     | 91                             |
| 100                              | 37.2                 | 26,460                     | 80                             |
| 110                              | 28.4                 | 23,090                     | 64                             |
| 120                              | 15.6                 | 20,330                     | 39                             |

| <b>130' (39.6 m) Boom length</b> |                      |                            |                                |
|----------------------------------|----------------------|----------------------------|--------------------------------|
| Radius (Feet)                    | Boom Angle (Degrees) | 360 Degree Rating (Pounds) | From Boom Pt. to Ground (Feet) |
| 25                               | 80.9                 | 184,010                    | 135                            |
| 30                               | 78.7                 | 138,480                    | 135                            |
| 35                               | 76.4                 | 110,550                    | 133                            |
| 40                               | 74.1                 | 91,420                     | 132                            |
| 50                               | 69.5                 | 67,430                     | 129                            |
| 60                               | 64.7                 | 52,660                     | 125                            |
| 70                               | 59.7                 | 42,730                     | 119                            |
| 80                               | 54.5                 | 35,840                     | 113                            |
| 90                               | 48.8                 | 30,450                     | 105                            |
| 100                              | 42.7                 | 26,250                     | 95                             |
| 110                              | 35.7                 | 22,870                     | 83                             |
| 120                              | 27.3                 | 20,100                     | 67                             |
| 130                              | 15.0                 | 17,800                     | 41                             |

| <b>140' (42.7 m) Boom length</b> |                      |                            |                                |
|----------------------------------|----------------------|----------------------------|--------------------------------|
| Radius (Feet)                    | Boom Angle (Degrees) | 360 Degree Rating (Pounds) | From Boom Pt. to Ground (Feet) |
| 27                               | 80.7                 | 162,360                    | 145                            |
| 30                               | 79.5                 | 138,200                    | 145                            |
| 35                               | 77.4                 | 110,270                    | 144                            |
| 40                               | 75.3                 | 91,110                     | 143                            |
| 50                               | 71.0                 | 67,120                     | 139                            |
| 60                               | 66.6                 | 52,340                     | 136                            |
| 70                               | 62.1                 | 42,400                     | 131                            |
| 80                               | 57.3                 | 35,540                     | 125                            |
| 90                               | 52.3                 | 30,140                     | 118                            |
| 100                              | 47.0                 | 25,930                     | 109                            |
| 110                              | 41.1                 | 22,560                     | 99                             |
| 120                              | 34.4                 | 19,790                     | 86                             |
| 130                              | 26.2                 | 17,480                     | 69                             |
| 140                              | 14.4                 | 15,530                     | 42                             |

| <b>150' (45.7 m) Boom length</b> |                      |                            |                                |
|----------------------------------|----------------------|----------------------------|--------------------------------|
| Radius (Feet)                    | Boom Angle (Degrees) | 360 Degree Rating (Pounds) | From Boom Pt. to Ground (Feet) |
| 28                               | 81.0                 | 153,400                    | 155                            |
| 30                               | 80.2                 | 137,920                    | 155                            |
| 35                               | 78.2                 | 109,970                    | 154                            |
| 40                               | 76.3                 | 90,810                     | 153                            |
| 50                               | 72.3                 | 66,810                     | 150                            |
| 60                               | 68.3                 | 52,020                     | 146                            |
| 70                               | 64.1                 | 42,070                     | 142                            |
| 80                               | 59.7                 | 35,220                     | 137                            |
| 90                               | 55.2                 | 29,820                     | 130                            |
| 100                              | 50.4                 | 25,610                     | 123                            |
| 110                              | 45.3                 | 22,230                     | 114                            |
| 120                              | 39.6                 | 19,470                     | 103                            |
| 130                              | 33.2                 | 17,160                     | 89                             |
| 140                              | 25.3                 | 15,200                     | 71                             |
| 150                              | 14.0                 | 13,530                     | 43                             |



**WITH 77SI OFFSET TIP BOOM AND 102,000 POUND UPPER COUNTERWEIGHT**

102,000 lb

360°

ANSI B 30.5

| 160' (48.8 m) Boom length |                      |                            |                                |
|---------------------------|----------------------|----------------------------|--------------------------------|
| Radius (Feet)             | Boom Angle (Degrees) | 360 Degree Rating (Pounds) | From Boom Pt. to Ground (Feet) |
| 30                        | 80.8                 | 137,620                    | 165                            |
| 35                        | 79.0                 | 109,670                    | 164                            |
| 40                        | 77.2                 | 90,480                     | 163                            |
| 50                        | 73.4                 | 66,480                     | 160                            |
| 60                        | 69.7                 | 51,680                     | 157                            |
| 70                        | 65.8                 | 41,720                     | 153                            |
| 80                        | 61.8                 | 34,880                     | 148                            |
| 90                        | 57.7                 | 29,490                     | 142                            |
| 100                       | 53.3                 | 25,270                     | 135                            |
| 110                       | 48.7                 | 21,890                     | 127                            |
| 120                       | 43.8                 | 19,120                     | 118                            |
| 130                       | 38.3                 | 16,810                     | 106                            |
| 140                       | 32.1                 | 14,840                     | 92                             |
| 150                       | 24.5                 | 13,180                     | 74                             |
| 160                       | 13.5                 | 11,720                     | 44                             |

| 190' (57.9 m) Boom length |                      |                            |                                |
|---------------------------|----------------------|----------------------------|--------------------------------|
| Radius (Feet)             | Boom Angle (Degrees) | 360 Degree Rating (Pounds) | From Boom Pt. to Ground (Feet) |
| 35                        | 80.7                 | 108,760                    | 195                            |
| 40                        | 79.2                 | 89,520                     | 194                            |
| 50                        | 76.1                 | 65,520                     | 192                            |
| 60                        | 73.0                 | 50,660                     | 189                            |
| 70                        | 69.8                 | 40,670                     | 185                            |
| 80                        | 66.6                 | 33,900                     | 181                            |
| 90                        | 63.2                 | 28,490                     | 177                            |
| 100                       | 59.8                 | 24,280                     | 171                            |
| 110                       | 56.3                 | 20,880                     | 165                            |
| 120                       | 52.5                 | 18,110                     | 158                            |
| 130                       | 48.6                 | 15,790                     | 150                            |
| 140                       | 44.5                 | 13,830                     | 140                            |
| 150                       | 40.0                 | 12,150                     | 129                            |
| 160                       | 35.0                 | 10,690                     | 116                            |
| 170                       | 29.4                 | 9,410                      | 100                            |
| 180                       | 22.5                 | 8,300                      | 80                             |
| 190                       | 12.4                 | 7,330                      | 48                             |

| 170' (51.8 m) Boom length |                      |                            |                                |
|---------------------------|----------------------|----------------------------|--------------------------------|
| Radius (Feet)             | Boom Angle (Degrees) | 360 Degree Rating (Pounds) | From Boom Pt. to Ground (Feet) |
| 32                        | 80.7                 | 124,500                    | 175                            |
| 35                        | 79.6                 | 109,360                    | 174                            |
| 40                        | 77.9                 | 90,150                     | 173                            |
| 50                        | 74.4                 | 66,150                     | 171                            |
| 60                        | 70.9                 | 51,330                     | 168                            |
| 70                        | 67.3                 | 41,360                     | 164                            |
| 80                        | 63.6                 | 34,560                     | 159                            |
| 90                        | 59.8                 | 29,150                     | 154                            |
| 100                       | 55.8                 | 24,930                     | 148                            |
| 110                       | 51.6                 | 21,550                     | 140                            |
| 120                       | 47.2                 | 18,780                     | 132                            |
| 130                       | 42.4                 | 16,460                     | 122                            |
| 140                       | 37.1                 | 14,500                     | 110                            |
| 150                       | 31.1                 | 12,830                     | 95                             |
| 160                       | 23.8                 | 11,370                     | 76                             |
| 170                       | 13.1                 | 10,110                     | 46                             |

| 200' (61.0 m) Boom length |                      |                            |                                |
|---------------------------|----------------------|----------------------------|--------------------------------|
| Radius (Feet)             | Boom Angle (Degrees) | 360 Degree Rating (Pounds) | From Boom Pt. to Ground (Feet) |
| 36                        | 80.9                 | 104,020                    | 205                            |
| 40                        | 79.8                 | 89,170                     | 204                            |
| 50                        | 76.8                 | 65,180                     | 202                            |
| 60                        | 73.9                 | 50,310                     | 199                            |
| 70                        | 70.9                 | 40,310                     | 196                            |
| 80                        | 67.8                 | 33,560                     | 192                            |
| 90                        | 64.7                 | 28,150                     | 188                            |
| 100                       | 61.5                 | 23,920                     | 183                            |
| 110                       | 58.1                 | 20,520                     | 177                            |
| 120                       | 54.7                 | 17,750                     | 170                            |
| 130                       | 51.1                 | 15,430                     | 163                            |
| 140                       | 47.3                 | 13,470                     | 154                            |
| 150                       | 43.3                 | 11,780                     | 144                            |
| 160                       | 38.9                 | 10,320                     | 133                            |
| 170                       | 34.1                 | 9,050                      | 119                            |
| 180                       | 28.6                 | 7,930                      | 103                            |
| 190                       | 21.9                 | 6,940                      | 82                             |
| 200                       | 12.1                 | 6,060                      | 49                             |

| 180' (54.9 m) Boom length |                      |                            |                                |
|---------------------------|----------------------|----------------------------|--------------------------------|
| Radius (Feet)             | Boom Angle (Degrees) | 360 Degree Rating (Pounds) | From Boom Pt. to Ground (Feet) |
| 33                        | 80.9                 | 119,010                    | 185                            |
| 35                        | 80.2                 | 109,080                    | 184                            |
| 40                        | 78.6                 | 89,860                     | 184                            |
| 50                        | 75.3                 | 65,860                     | 181                            |
| 60                        | 72.0                 | 51,030                     | 178                            |
| 70                        | 68.6                 | 41,040                     | 175                            |
| 80                        | 65.2                 | 34,260                     | 170                            |
| 90                        | 61.6                 | 28,850                     | 165                            |
| 100                       | 57.9                 | 24,630                     | 160                            |
| 110                       | 54.1                 | 21,250                     | 153                            |
| 120                       | 50.0                 | 18,470                     | 145                            |
| 130                       | 45.8                 | 16,160                     | 136                            |
| 140                       | 41.1                 | 14,190                     | 126                            |
| 150                       | 36.0                 | 12,510                     | 113                            |
| 160                       | 30.2                 | 11,060                     | 98                             |
| 170                       | 23.1                 | 9,800                      | 78                             |
| 180                       | 12.7                 | 8,690                      | 47                             |

| 210' (64.0 m) Boom length |                      |                            |                                |
|---------------------------|----------------------|----------------------------|--------------------------------|
| Radius (Feet)             | Boom Angle (Degrees) | 360 Degree Rating (Pounds) | From Boom Pt. to Ground (Feet) |
| 38                        | 80.8                 | 95,740                     | 214                            |
| 40                        | 80.3                 | 88,820                     | 214                            |
| 50                        | 77.5                 | 64,820                     | 212                            |
| 60                        | 74.7                 | 49,940                     | 210                            |
| 70                        | 71.8                 | 40,390                     | 207                            |
| 80                        | 68.9                 | 33,190                     | 203                            |
| 90                        | 65.9                 | 27,770                     | 199                            |
| 100                       | 62.9                 | 23,540                     | 194                            |
| 110                       | 59.8                 | 20,160                     | 189                            |
| 120                       | 56.6                 | 17,370                     | 182                            |
| 130                       | 53.3                 | 15,050                     | 175                            |
| 140                       | 49.8                 | 13,090                     | 167                            |
| 150                       | 46.1                 | 11,400                     | 158                            |
| 160                       | 42.2                 | 9,940                      | 148                            |
| 170                       | 38.0                 | 8,660                      | 136                            |
| 180                       | 33.3                 | 7,530                      | 122                            |
| 190                       | 27.9                 | 6,540                      | 105                            |
| 200                       | 21.4                 | 5,660                      | 84                             |
| 210                       | 11.8                 | 4,880                      | 50                             |



**WITH 77SI OFFSET TIP BOOM AND 102,000 POUND UPPER COUNTERWEIGHT**

102,000 lb

360°

ANSI B 30.5

| 220' (67.1 m) Boom length |                      |                            |                                |
|---------------------------|----------------------|----------------------------|--------------------------------|
| Radius (Feet)             | Boom Angle (Degrees) | 360 Degree Rating (Pounds) | From Boom Pt. to Ground (Feet) |
| 39                        | 81.0                 | 91,810                     | 224                            |
| 40                        | 80.7                 | 88,470                     | 224                            |
| 50                        | 78.1                 | 64,470                     | 222                            |
| 60                        | 75.4                 | 49,570                     | 220                            |
| 70                        | 72.7                 | 40,040                     | 217                            |
| 80                        | 69.9                 | 32,840                     | 214                            |
| 90                        | 67.1                 | 27,420                     | 210                            |
| 100                       | 64.2                 | 23,180                     | 205                            |
| 110                       | 61.3                 | 19,790                     | 200                            |
| 120                       | 58.3                 | 17,000                     | 194                            |
| 130                       | 55.2                 | 14,680                     | 188                            |
| 140                       | 52.0                 | 12,710                     | 180                            |
| 150                       | 48.6                 | 11,030                     | 172                            |
| 160                       | 45.0                 | 9,560                      | 163                            |
| 170                       | 41.2                 | 8,280                      | 152                            |
| 180                       | 37.1                 | 7,150                      | 140                            |
| 190                       | 32.5                 | 6,160                      | 125                            |
| 200                       | 27.3                 | 5,270                      | 108                            |
| 210                       | 20.9                 | 4,480                      | 85                             |
| 220                       | 11.5                 | 3,780                      | 51                             |

| 250' (76.2 m) Boom length |                      |                            |                                |
|---------------------------|----------------------|----------------------------|--------------------------------|
| Radius (Feet)             | Boom Angle (Degrees) | 360 Degree Rating (Pounds) | From Boom Pt. to Ground (Feet) |
| 44                        | 80.9                 | 74,200*                    | 254                            |
| 50                        | 79.5                 | 63,430                     | 253                            |
| 60                        | 77.2                 | 48,490                     | 251                            |
| 70                        | 74.8                 | 39,010                     | 248                            |
| 80                        | 72.4                 | 31,780                     | 245                            |
| 90                        | 70.0                 | 26,340                     | 242                            |
| 100                       | 67.5                 | 22,100                     | 238                            |
| 110                       | 65.0                 | 18,690                     | 234                            |
| 120                       | 62.5                 | 15,900                     | 229                            |
| 130                       | 59.8                 | 13,580                     | 223                            |
| 140                       | 57.2                 | 11,600                     | 217                            |
| 150                       | 54.4                 | 9,920                      | 210                            |
| 160                       | 51.5                 | 8,440                      | 203                            |
| 170                       | 48.5                 | 7,160                      | 194                            |
| 180                       | 45.4                 | 6,040                      | 185                            |
| 190                       | 42.1                 | 5,030                      | 175                            |
| 200                       | 38.5                 | 4,140                      | 163                            |
| 210                       | 34.7                 | 3,330                      | 149                            |
| 220                       | 30.4                 | 2,610                      | 134                            |

| 230' (70.1 m) Boom length |                      |                            |                                |
|---------------------------|----------------------|----------------------------|--------------------------------|
| Radius (Feet)             | Boom Angle (Degrees) | 360 Degree Rating (Pounds) | From Boom Pt. to Ground (Feet) |
| 41                        | 80.8                 | 85,000                     | 234                            |
| 50                        | 78.6                 | 64,140                     | 233                            |
| 60                        | 76.0                 | 49,230                     | 230                            |
| 70                        | 73.4                 | 39,720                     | 228                            |
| 80                        | 70.8                 | 32,510                     | 224                            |
| 90                        | 68.2                 | 27,080                     | 221                            |
| 100                       | 65.4                 | 22,850                     | 216                            |
| 110                       | 62.7                 | 19,450                     | 211                            |
| 120                       | 59.8                 | 16,670                     | 206                            |
| 130                       | 56.9                 | 14,340                     | 200                            |
| 140                       | 53.9                 | 12,370                     | 193                            |
| 150                       | 50.7                 | 10,690                     | 185                            |
| 160                       | 47.4                 | 9,220                      | 177                            |
| 170                       | 44.0                 | 7,940                      | 167                            |
| 180                       | 40.2                 | 6,810                      | 156                            |
| 190                       | 36.2                 | 5,810                      | 143                            |
| 200                       | 31.7                 | 4,920                      | 128                            |
| 210                       | 26.6                 | 4,120                      | 110                            |
| 220                       | 20.4                 | 3,410                      | 87                             |
| 230                       | 11.3                 | 2,790                      | 52                             |

| 260' (79.2 m) Boom length |                      |                            |                                |
|---------------------------|----------------------|----------------------------|--------------------------------|
| Radius (Feet)             | Boom Angle (Degrees) | 360 Degree Rating (Pounds) | From Boom Pt. to Ground (Feet) |
| 46                        | 80.8                 | 68,160*                    | 264                            |
| 50                        | 79.9                 | 63,560                     | 263                            |
| 60                        | 77.7                 | 48,610                     | 261                            |
| 70                        | 75.4                 | 39,130                     | 259                            |
| 80                        | 73.1                 | 31,910                     | 256                            |
| 90                        | 70.8                 | 26,460                     | 253                            |
| 100                       | 68.4                 | 22,220                     | 249                            |
| 110                       | 66.0                 | 18,810                     | 245                            |
| 120                       | 63.6                 | 16,020                     | 240                            |
| 130                       | 61.1                 | 13,680                     | 235                            |
| 140                       | 58.6                 | 11,710                     | 229                            |
| 150                       | 56.0                 | 10,020                     | 223                            |
| 160                       | 53.3                 | 8,540                      | 215                            |
| 170                       | 50.5                 | 7,260                      | 208                            |
| 180                       | 47.5                 | 6,130                      | 199                            |
| 190                       | 44.5                 | 5,130                      | 189                            |
| 200                       | 41.2                 | 4,230                      | 178                            |
| 210                       | 37.7                 | 3,420                      | 166                            |
| 220                       | 34.0                 | 2,700                      | 152                            |

| 240' (73.2 m) Boom length |                      |                            |                                |
|---------------------------|----------------------|----------------------------|--------------------------------|
| Radius (Feet)             | Boom Angle (Degrees) | 360 Degree Rating (Pounds) | From Boom Pt. to Ground (Feet) |
| 42                        | 81.0                 | 81,680                     | 244                            |
| 50                        | 79.1                 | 63,790                     | 243                            |
| 60                        | 76.6                 | 48,860                     | 241                            |
| 70                        | 74.1                 | 39,360                     | 238                            |
| 80                        | 71.7                 | 32,150                     | 235                            |
| 90                        | 69.1                 | 26,710                     | 231                            |
| 100                       | 66.5                 | 22,480                     | 227                            |
| 110                       | 63.9                 | 19,070                     | 223                            |
| 120                       | 61.2                 | 16,280                     | 217                            |
| 130                       | 58.5                 | 13,950                     | 212                            |
| 140                       | 55.6                 | 11,990                     | 205                            |
| 150                       | 52.7                 | 10,300                     | 198                            |
| 160                       | 49.6                 | 8,830                      | 190                            |
| 170                       | 46.4                 | 7,550                      | 181                            |
| 180                       | 43.0                 | 6,420                      | 171                            |
| 190                       | 39.4                 | 5,420                      | 159                            |
| 200                       | 35.4                 | 4,530                      | 146                            |
| 210                       | 31.1                 | 3,720                      | 131                            |
| 220                       | 26.1                 | 3,000                      | 113                            |

| 270' (82.3 m) Boom length |                      |                            |                                |
|---------------------------|----------------------|----------------------------|--------------------------------|
| Radius (Feet)             | Boom Angle (Degrees) | 360 Degree Rating (Pounds) | From Boom Pt. to Ground (Feet) |
| 47                        | 80.9                 | 62,440*                    | 274                            |
| 50                        | 80.3                 | 61,770*                    | 273                            |
| 60                        | 78.1                 | 48,230                     | 271                            |
| 70                        | 75.9                 | 38,770                     | 269                            |
| 80                        | 73.8                 | 31,540                     | 266                            |
| 90                        | 71.5                 | 26,090                     | 263                            |
| 100                       | 69.3                 | 21,840                     | 260                            |
| 110                       | 67.0                 | 18,430                     | 256                            |
| 120                       | 64.7                 | 15,630                     | 251                            |
| 130                       | 62.3                 | 13,290                     | 246                            |
| 140                       | 59.9                 | 11,330                     | 241                            |
| 150                       | 57.4                 | 9,630                      | 235                            |
| 160                       | 54.8                 | 8,160                      | 228                            |
| 170                       | 52.2                 | 6,870                      | 220                            |
| 180                       | 49.4                 | 5,740                      | 212                            |
| 190                       | 46.6                 | 4,730                      | 203                            |
| 200                       | 43.6                 | 3,840                      | 193                            |
| 210                       | 40.4                 | 3,030                      | 182                            |



**WITH 77SI OFFSET TIP BOOM AND 116,400 POUND COUNTERWEIGHT**

108,400 lb + 8,000 lb carbony counterweight

360°

**ANSI B 30.5**

**80' (24.4 m) Boom length**

| Radius (Feet) | Boom Angle (Degrees) | 360 Degree Rating (Pounds) | From Boom Pt. to Ground (Feet) |
|---------------|----------------------|----------------------------|--------------------------------|
| 17            | 81.0                 | 235,130 *                  | 86                             |
| 20            | 78.8                 | 235,130 *                  | 86                             |
| 25            | 75.1                 | 195,140                    | 84                             |
| 30            | 71.4                 | 147,300                    | 83                             |
| 35            | 67.5                 | 117,910                    | 81                             |
| 40            | 63.6                 | 97,850                     | 79                             |
| 50            | 55.3                 | 72,560                     | 73                             |
| 60            | 46.0                 | 57,080                     | 65                             |
| 70            | 35.0                 | 46,660                     | 53                             |
| 80            | 19.1                 | 39,250                     | 33                             |

**90' (27.4 m) Boom length**

| Radius (Feet) | Boom Angle (Degrees) | 360 Degree Rating (Pounds) | From Boom Pt. to Ground (Feet) |
|---------------|----------------------|----------------------------|--------------------------------|
| 19            | 80.7                 | 234,610 *                  | 96                             |
| 20            | 80.0                 | 230,880 *                  | 96                             |
| 25            | 76.8                 | 195,060                    | 95                             |
| 30            | 73.5                 | 147,180                    | 93                             |
| 35            | 70.1                 | 117,770                    | 92                             |
| 40            | 66.7                 | 97,690                     | 90                             |
| 50            | 59.6                 | 72,410                     | 85                             |
| 60            | 51.9                 | 56,900                     | 78                             |
| 70            | 43.2                 | 46,470                     | 69                             |
| 80            | 32.9                 | 39,100                     | 56                             |
| 90            | 18.0                 | 33,430                     | 35                             |

**100' (30.5 m) Boom length**

| Radius (Feet) | Boom Angle (Degrees) | 360 Degree Rating (Pounds) | From Boom Pt. to Ground (Feet) |
|---------------|----------------------|----------------------------|--------------------------------|
| 21            | 80.5                 | 221,940 *                  | 106                            |
| 25            | 78.1                 | 194,940                    | 105                            |
| 30            | 75.2                 | 147,040                    | 104                            |
| 35            | 72.2                 | 117,610                    | 102                            |
| 40            | 69.2                 | 97,510                     | 101                            |
| 50            | 62.9                 | 72,210                     | 96                             |
| 60            | 56.2                 | 56,690                     | 90                             |
| 70            | 49.0                 | 46,260                     | 83                             |
| 80            | 40.9                 | 38,910                     | 73                             |
| 90            | 31.2                 | 33,240                     | 59                             |
| 100           | 17.1                 | 28,810                     | 37                             |

**110' (33.5 m) Boom length**

| Radius (Feet) | Boom Angle (Degrees) | 360 Degree Rating (Pounds) | From Boom Pt. to Ground (Feet) |
|---------------|----------------------|----------------------------|--------------------------------|
| 22            | 80.8                 | 213,950 *                  | 116                            |
| 25            | 79.2                 | 194,760                    | 115                            |
| 30            | 76.6                 | 146,820                    | 114                            |
| 35            | 73.9                 | 117,380                    | 113                            |
| 40            | 71.1                 | 97,260                     | 111                            |
| 50            | 65.5                 | 71,960                     | 107                            |
| 60            | 59.7                 | 56,420                     | 102                            |
| 70            | 53.4                 | 45,980                     | 95                             |
| 80            | 46.6                 | 38,650                     | 87                             |
| 90            | 38.9                 | 32,980                     | 76                             |
| 100           | 29.7                 | 28,550                     | 62                             |
| 110           | 16.3                 | 25,000                     | 38                             |

**120' (36.6 m) Boom length**

| Radius (Feet) | Boom Angle (Degrees) | 360 Degree Rating (Pounds) | From Boom Pt. to Ground (Feet) |
|---------------|----------------------|----------------------------|--------------------------------|
| 24            | 80.6                 | 201,030 *                  | 125                            |
| 25            | 80.1                 | 194,570                    | 125                            |
| 30            | 77.7                 | 146,580                    | 124                            |
| 35            | 75.2                 | 117,140                    | 123                            |
| 40            | 72.8                 | 97,000                     | 122                            |
| 50            | 67.7                 | 71,700                     | 118                            |
| 60            | 62.4                 | 56,150                     | 113                            |
| 70            | 56.9                 | 45,700                     | 108                            |
| 80            | 51.0                 | 38,390                     | 100                            |
| 90            | 44.5                 | 32,720                     | 91                             |
| 100           | 37.2                 | 28,290                     | 80                             |
| 110           | 28.4                 | 24,740                     | 64                             |
| 120           | 15.6                 | 21,830                     | 39                             |

**130' (39.6 m) Boom length**

| Radius (Feet) | Boom Angle (Degrees) | 360 Degree Rating (Pounds) | From Boom Pt. to Ground (Feet) |
|---------------|----------------------|----------------------------|--------------------------------|
| 25            | 80.9                 | 192,950 *                  | 135                            |
| 30            | 78.7                 | 146,390                    | 135                            |
| 35            | 76.4                 | 116,940                    | 133                            |
| 40            | 74.1                 | 96,780                     | 132                            |
| 50            | 69.5                 | 71,480                     | 129                            |
| 60            | 64.7                 | 55,920                     | 125                            |
| 70            | 59.7                 | 45,460                     | 119                            |
| 80            | 54.5                 | 38,180                     | 113                            |
| 90            | 48.8                 | 32,500                     | 105                            |
| 100           | 42.7                 | 28,080                     | 95                             |
| 110           | 35.7                 | 24,520                     | 83                             |
| 120           | 27.3                 | 21,600                     | 67                             |
| 130           | 15.0                 | 19,170                     | 41                             |

**140' (42.7 m) Boom length**

| Radius (Feet) | Boom Angle (Degrees) | 360 Degree Rating (Pounds) | From Boom Pt. to Ground (Feet) |
|---------------|----------------------|----------------------------|--------------------------------|
| 27            | 80.7                 | 171,590                    | 145                            |
| 30            | 79.5                 | 146,110                    | 145                            |
| 35            | 77.4                 | 116,660                    | 144                            |
| 40            | 75.3                 | 96,470                     | 143                            |
| 50            | 71.0                 | 71,180                     | 139                            |
| 60            | 66.6                 | 55,600                     | 136                            |
| 70            | 62.1                 | 45,130                     | 131                            |
| 80            | 57.3                 | 37,880                     | 125                            |
| 90            | 52.3                 | 32,190                     | 118                            |
| 100           | 47.0                 | 27,760                     | 109                            |
| 110           | 41.1                 | 24,200                     | 99                             |
| 120           | 34.4                 | 21,290                     | 86                             |
| 130           | 26.2                 | 18,850                     | 69                             |
| 140           | 14.4                 | 16,800                     | 42                             |

**150' (45.7 m) Boom length**

| Radius (Feet) | Boom Angle (Degrees) | 360 Degree Rating (Pounds) | From Boom Pt. to Ground (Feet) |
|---------------|----------------------|----------------------------|--------------------------------|
| 28            | 81.0                 | 161,800                    | 155                            |
| 30            | 80.2                 | 145,830                    | 155                            |
| 35            | 78.2                 | 116,360                    | 154                            |
| 40            | 76.3                 | 96,170                     | 153                            |
| 50            | 72.3                 | 70,870                     | 150                            |
| 60            | 68.3                 | 55,280                     | 146                            |
| 70            | 64.1                 | 44,800                     | 142                            |
| 80            | 59.7                 | 37,570                     | 137                            |
| 90            | 55.2                 | 31,880                     | 130                            |
| 100           | 50.4                 | 27,440                     | 123                            |
| 110           | 45.3                 | 23,880                     | 114                            |
| 120           | 39.6                 | 20,970                     | 103                            |
| 130           | 33.2                 | 18,530                     | 89                             |
| 140           | 25.3                 | 16,470                     | 71                             |
| 150           | 14.0                 | 14,710                     | 43                             |

**WITH 77SI OFFSET TIP BOOM AND 116,400 POUND COUNTERWEIGHT**

108,400 lb + 8,000 lb carbody counterweight

360°

ANSI B 30.5

| 160' (48.8 m) Boom length |                      |                            |                                |
|---------------------------|----------------------|----------------------------|--------------------------------|
| Radius (Feet)             | Boom Angle (Degrees) | 360 Degree Rating (Pounds) | From Boom Pt. to Ground (Feet) |
| 30                        | 80.8                 | 145,530                    | 165                            |
| 35                        | 79.0                 | 116,060                    | 164                            |
| 40                        | 77.2                 | 95,840                     | 163                            |
| 50                        | 73.4                 | 70,540                     | 160                            |
| 60                        | 69.7                 | 54,940                     | 157                            |
| 70                        | 65.8                 | 44,450                     | 153                            |
| 80                        | 61.8                 | 37,230                     | 148                            |
| 90                        | 57.7                 | 31,540                     | 142                            |
| 100                       | 53.3                 | 27,100                     | 135                            |
| 110                       | 48.7                 | 23,540                     | 127                            |
| 120                       | 43.8                 | 20,610                     | 118                            |
| 130                       | 38.3                 | 18,180                     | 106                            |
| 140                       | 32.1                 | 16,110                     | 92                             |
| 150                       | 24.5                 | 14,350                     | 74                             |
| 160                       | 13.5                 | 12,830                     | 44                             |

| 190' (57.9 m) Boom length |                      |                            |                                |
|---------------------------|----------------------|----------------------------|--------------------------------|
| Radius (Feet)             | Boom Angle (Degrees) | 360 Degree Rating (Pounds) | From Boom Pt. to Ground (Feet) |
| 35                        | 80.7                 | 115,150                    | 195                            |
| 40                        | 79.2                 | 94,880                     | 194                            |
| 50                        | 76.1                 | 69,580                     | 192                            |
| 60                        | 73.0                 | 53,930                     | 189                            |
| 70                        | 69.8                 | 43,400                     | 185                            |
| 80                        | 66.6                 | 36,250                     | 181                            |
| 90                        | 63.2                 | 30,540                     | 177                            |
| 100                       | 59.8                 | 26,100                     | 171                            |
| 110                       | 56.3                 | 22,530                     | 165                            |
| 120                       | 52.5                 | 19,610                     | 158                            |
| 130                       | 48.6                 | 17,170                     | 150                            |
| 140                       | 44.5                 | 15,100                     | 140                            |
| 150                       | 40.0                 | 13,330                     | 129                            |
| 160                       | 35.0                 | 11,790                     | 116                            |
| 170                       | 29.4                 | 10,440                     | 100                            |
| 180                       | 22.5                 | 9,270                      | 80                             |
| 190                       | 12.4                 | 8,240                      | 48                             |

| 170' (51.8 m) Boom length |                      |                            |                                |
|---------------------------|----------------------|----------------------------|--------------------------------|
| Radius (Feet)             | Boom Angle (Degrees) | 360 Degree Rating (Pounds) | From Boom Pt. to Ground (Feet) |
| 32                        | 80.7                 | 131,730                    | 175                            |
| 35                        | 79.6                 | 115,750                    | 174                            |
| 40                        | 77.9                 | 95,510                     | 173                            |
| 50                        | 74.4                 | 70,210                     | 171                            |
| 60                        | 70.9                 | 54,590                     | 168                            |
| 70                        | 67.3                 | 44,080                     | 164                            |
| 80                        | 63.6                 | 36,900                     | 159                            |
| 90                        | 59.8                 | 31,200                     | 154                            |
| 100                       | 55.8                 | 26,760                     | 148                            |
| 110                       | 51.6                 | 23,200                     | 140                            |
| 120                       | 47.2                 | 20,270                     | 132                            |
| 130                       | 42.4                 | 17,830                     | 122                            |
| 140                       | 37.1                 | 15,770                     | 110                            |
| 150                       | 31.1                 | 14,000                     | 95                             |
| 160                       | 23.8                 | 12,470                     | 76                             |
| 170                       | 13.1                 | 11,140                     | 46                             |

| 200' (61.0 m) Boom length |                      |                            |                                |
|---------------------------|----------------------|----------------------------|--------------------------------|
| Radius (Feet)             | Boom Angle (Degrees) | 360 Degree Rating (Pounds) | From Boom Pt. to Ground (Feet) |
| 36                        | 80.9                 | 110,170                    | 205                            |
| 40                        | 79.8                 | 94,530                     | 204                            |
| 50                        | 76.8                 | 69,230                     | 202                            |
| 60                        | 73.9                 | 53,570                     | 199                            |
| 70                        | 70.9                 | 43,030                     | 196                            |
| 80                        | 67.8                 | 35,900                     | 192                            |
| 90                        | 64.7                 | 30,200                     | 188                            |
| 100                       | 61.5                 | 25,750                     | 183                            |
| 110                       | 58.1                 | 22,170                     | 177                            |
| 120                       | 54.7                 | 19,250                     | 170                            |
| 130                       | 51.1                 | 16,810                     | 163                            |
| 140                       | 47.3                 | 14,740                     | 154                            |
| 150                       | 43.3                 | 12,960                     | 144                            |
| 160                       | 38.9                 | 11,430                     | 133                            |
| 170                       | 34.1                 | 10,080                     | 119                            |
| 180                       | 28.6                 | 8,900                      | 103                            |
| 190                       | 21.9                 | 7,860                      | 82                             |
| 200                       | 12.1                 | 6,930                      | 49                             |

| 180' (54.9 m) Boom length |                      |                            |                                |
|---------------------------|----------------------|----------------------------|--------------------------------|
| Radius (Feet)             | Boom Angle (Degrees) | 360 Degree Rating (Pounds) | From Boom Pt. to Ground (Feet) |
| 33                        | 80.9                 | 125,530                    | 185                            |
| 35                        | 80.2                 | 115,470                    | 184                            |
| 40                        | 78.6                 | 95,220                     | 184                            |
| 50                        | 75.3                 | 69,910                     | 181                            |
| 60                        | 72.0                 | 54,290                     | 178                            |
| 70                        | 68.6                 | 43,770                     | 175                            |
| 80                        | 65.2                 | 36,600                     | 170                            |
| 90                        | 61.6                 | 30,900                     | 165                            |
| 100                       | 57.9                 | 26,460                     | 160                            |
| 110                       | 54.1                 | 22,900                     | 153                            |
| 120                       | 50.0                 | 19,970                     | 145                            |
| 130                       | 45.8                 | 17,530                     | 136                            |
| 140                       | 41.1                 | 15,460                     | 126                            |
| 150                       | 36.0                 | 13,690                     | 113                            |
| 160                       | 30.2                 | 12,160                     | 98                             |
| 170                       | 23.1                 | 10,830                     | 78                             |
| 180                       | 12.7                 | 9,660                      | 47                             |

| 210' (64.0 m) Boom length |                      |                            |                                |
|---------------------------|----------------------|----------------------------|--------------------------------|
| Radius (Feet)             | Boom Angle (Degrees) | 360 Degree Rating (Pounds) | From Boom Pt. to Ground (Feet) |
| 38                        | 80.8                 | 101,470                    | 214                            |
| 40                        | 80.3                 | 94,180                     | 214                            |
| 50                        | 77.5                 | 68,880                     | 212                            |
| 60                        | 74.7                 | 53,200                     | 210                            |
| 70                        | 71.8                 | 42,650                     | 207                            |
| 80                        | 68.9                 | 35,540                     | 203                            |
| 90                        | 65.9                 | 29,830                     | 199                            |
| 100                       | 62.9                 | 25,370                     | 194                            |
| 110                       | 59.8                 | 21,800                     | 189                            |
| 120                       | 56.6                 | 18,870                     | 182                            |
| 130                       | 53.3                 | 16,430                     | 175                            |
| 140                       | 49.8                 | 14,360                     | 167                            |
| 150                       | 46.1                 | 12,580                     | 158                            |
| 160                       | 42.2                 | 11,040                     | 148                            |
| 170                       | 38.0                 | 9,690                      | 136                            |
| 180                       | 33.3                 | 8,510                      | 122                            |
| 190                       | 27.9                 | 7,460                      | 105                            |
| 200                       | 21.4                 | 6,530                      | 84                             |
| 210                       | 11.8                 | 5,710                      | 50                             |



**WITH 77SI OFFSET TIP BOOM AND 116,400 POUND COUNTERWEIGHT**

108,400 lb + 8,000 lb carbony counterweight

360°

ANSI B 30.5

| 220' (67.1 m) Boom length |                      |                            |                                | 250' (76.2 m) Boom length |                      |                            |                                |
|---------------------------|----------------------|----------------------------|--------------------------------|---------------------------|----------------------|----------------------------|--------------------------------|
| Radius (Feet)             | Boom Angle (Degrees) | 360 Degree Rating (Pounds) | From Boom Pt. to Ground (Feet) | Radius (Feet)             | Boom Angle (Degrees) | 360 Degree Rating (Pounds) | From Boom Pt. to Ground (Feet) |
| 39                        | 81.0                 | 97,360                     | 224                            | 44                        | 80.9                 | 74,200 *                   | 254                            |
| 40                        | 80.7                 | 93,830                     | 224                            | 50                        | 79.5                 | 67,490                     | 253                            |
| 50                        | 78.1                 | 68,520                     | 222                            | 60                        | 77.2                 | 51,750                     | 251                            |
| 60                        | 75.4                 | 52,830                     | 220                            | 70                        | 74.8                 | 41,170                     | 248                            |
| 70                        | 72.7                 | 42,290                     | 217                            | 80                        | 72.4                 | 34,120                     | 245                            |
| 80                        | 69.9                 | 35,180                     | 214                            | 90                        | 70.0                 | 28,400                     | 242                            |
| 90                        | 67.1                 | 29,470                     | 210                            | 100                       | 67.5                 | 23,930                     | 238                            |
| 100                       | 64.2                 | 25,010                     | 205                            | 110                       | 65.0                 | 20,340                     | 234                            |
| 110                       | 61.3                 | 21,430                     | 200                            | 120                       | 62.5                 | 17,400                     | 229                            |
| 120                       | 58.3                 | 18,500                     | 194                            | 130                       | 59.8                 | 14,960                     | 223                            |
| 130                       | 55.2                 | 16,050                     | 188                            | 140                       | 57.2                 | 12,870                     | 217                            |
| 140                       | 52.0                 | 13,980                     | 180                            | 150                       | 54.4                 | 11,100                     | 210                            |
| 150                       | 48.6                 | 12,210                     | 172                            | 160                       | 51.5                 | 9,540                      | 203                            |
| 160                       | 45.0                 | 10,660                     | 163                            | 170                       | 48.5                 | 8,190                      | 194                            |
| 170                       | 41.2                 | 9,310                      | 152                            | 180                       | 45.4                 | 7,010                      | 185                            |
| 180                       | 37.1                 | 8,130                      | 140                            | 190                       | 42.1                 | 5,950                      | 175                            |
| 190                       | 32.5                 | 7,080                      | 125                            | 200                       | 38.5                 | 5,010                      | 163                            |
| 200                       | 27.3                 | 6,140                      | 108                            | 210                       | 34.7                 | 4,160                      | 149                            |
| 210                       | 20.9                 | 5,310                      | 85                             | 220                       | 30.4                 | 3,400                      | 134                            |
| 220                       | 11.5                 | 4,570                      | 51                             | 230                       | 25.5                 | 2,710                      | 115                            |

| 230' (70.1 m) Boom length |                      |                            |                                | 260' (79.2 m) Boom length |                      |                            |                                |
|---------------------------|----------------------|----------------------------|--------------------------------|---------------------------|----------------------|----------------------------|--------------------------------|
| Radius (Feet)             | Boom Angle (Degrees) | 360 Degree Rating (Pounds) | From Boom Pt. to Ground (Feet) | Radius (Feet)             | Boom Angle (Degrees) | 360 Degree Rating (Pounds) | From Boom Pt. to Ground (Feet) |
| 41                        | 80.8                 | 90,190                     | 234                            | 46                        | 80.8                 | 68,160 *                   | 264                            |
| 50                        | 78.6                 | 68,190                     | 233                            | 50                        | 79.9                 | 67,250 *                   | 263                            |
| 60                        | 76.0                 | 52,490                     | 230                            | 60                        | 77.7                 | 51,870                     | 261                            |
| 70                        | 73.4                 | 41,940                     | 228                            | 70                        | 75.4                 | 41,280                     | 259                            |
| 80                        | 70.8                 | 34,850                     | 224                            | 80                        | 73.1                 | 34,250                     | 256                            |
| 90                        | 68.2                 | 29,130                     | 221                            | 90                        | 70.8                 | 28,520                     | 253                            |
| 100                       | 65.4                 | 24,670                     | 216                            | 100                       | 68.4                 | 24,050                     | 249                            |
| 110                       | 62.7                 | 21,090                     | 211                            | 110                       | 66.0                 | 20,460                     | 245                            |
| 120                       | 59.8                 | 18,170                     | 206                            | 120                       | 63.6                 | 17,510                     | 240                            |
| 130                       | 56.9                 | 15,710                     | 200                            | 130                       | 61.1                 | 15,060                     | 235                            |
| 140                       | 53.9                 | 13,640                     | 193                            | 140                       | 58.6                 | 12,980                     | 229                            |
| 150                       | 50.7                 | 11,870                     | 185                            | 150                       | 56.0                 | 11,200                     | 223                            |
| 160                       | 47.4                 | 10,320                     | 177                            | 160                       | 53.3                 | 9,640                      | 215                            |
| 170                       | 44.0                 | 8,970                      | 167                            | 170                       | 50.5                 | 8,290                      | 208                            |
| 180                       | 40.2                 | 7,780                      | 156                            | 180                       | 47.5                 | 7,100                      | 199                            |
| 190                       | 36.2                 | 6,730                      | 143                            | 190                       | 44.5                 | 6,050                      | 189                            |
| 200                       | 31.7                 | 5,790                      | 128                            | 200                       | 41.2                 | 5,100                      | 178                            |
| 210                       | 26.6                 | 4,950                      | 110                            | 210                       | 37.7                 | 4,250                      | 166                            |
| 220                       | 20.4                 | 4,200                      | 87                             | 220                       | 34.0                 | 3,490                      | 152                            |
| 230                       | 11.3                 | 3,540                      | 52                             | 230                       | 29.8                 | 2,800                      | 136                            |

| 240' (73.2 m) Boom length |                      |                            |                                | 270' (82.3 m) Boom length |                      |                            |                                |
|---------------------------|----------------------|----------------------------|--------------------------------|---------------------------|----------------------|----------------------------|--------------------------------|
| Radius (Feet)             | Boom Angle (Degrees) | 360 Degree Rating (Pounds) | From Boom Pt. to Ground (Feet) | Radius (Feet)             | Boom Angle (Degrees) | 360 Degree Rating (Pounds) | From Boom Pt. to Ground (Feet) |
| 42                        | 81.0                 | 83,410 *                   | 244                            | 47                        | 80.9                 | 62,440 *                   | 274                            |
| 50                        | 79.1                 | 67,840                     | 243                            | 50                        | 80.3                 | 61,770 *                   | 273                            |
| 60                        | 76.6                 | 52,120                     | 241                            | 60                        | 78.1                 | 51,490                     | 271                            |
| 70                        | 74.1                 | 41,550                     | 238                            | 70                        | 75.9                 | 40,890                     | 269                            |
| 80                        | 71.7                 | 34,490                     | 235                            | 80                        | 73.8                 | 33,880                     | 266                            |
| 90                        | 69.1                 | 28,770                     | 231                            | 90                        | 71.5                 | 28,140                     | 263                            |
| 100                       | 66.5                 | 24,300                     | 227                            | 100                       | 69.3                 | 23,660                     | 260                            |
| 110                       | 63.9                 | 20,720                     | 223                            | 110                       | 67.0                 | 20,070                     | 256                            |
| 120                       | 61.2                 | 17,780                     | 217                            | 120                       | 64.7                 | 17,130                     | 251                            |
| 130                       | 58.5                 | 15,330                     | 212                            | 130                       | 62.3                 | 14,670                     | 246                            |
| 140                       | 55.6                 | 13,260                     | 205                            | 140                       | 59.9                 | 12,600                     | 241                            |
| 150                       | 52.7                 | 11,480                     | 198                            | 150                       | 57.4                 | 10,810                     | 235                            |
| 160                       | 49.6                 | 9,930                      | 190                            | 160                       | 54.8                 | 9,260                      | 228                            |
| 170                       | 46.4                 | 8,590                      | 181                            | 170                       | 52.2                 | 7,900                      | 220                            |
| 180                       | 43.0                 | 7,390                      | 171                            | 180                       | 49.4                 | 6,710                      | 212                            |
| 190                       | 39.4                 | 6,340                      | 159                            | 190                       | 46.6                 | 5,650                      | 203                            |
| 200                       | 35.4                 | 5,400                      | 146                            | 200                       | 43.6                 | 4,710                      | 193                            |
| 210                       | 31.1                 | 4,550                      | 131                            | 210                       | 40.4                 | 3,850                      | 182                            |
| 220                       | 26.1                 | 3,790                      | 113                            | 220                       | 37.0                 | 3,090                      | 170                            |
| 230                       | 20.0                 | 3,110                      | 89                             |                           |                      |                            |                                |

**NOTES TO LIFTING CAPACITY**

**⚠ Warning**

This rating chart is invalid if the crane has been modified or altered by use of other than GENUINE AMERICAN PARTS as such modifications or alterations may affect its capacity or safe operation. See American Crane Corporation Service Bulliten #259.

Ratings in this chart are in POUNDS and do not exceed the percentage of tipping specified for this crane by ANSI B30.5. All ratings require that the crane be standing level on a firm uniformly supporting surface.

Do not lift loads in excess of those shown on this chart. Lifting loads in excess of those shown or operation not in accordance with good operating practice, including limitations shown on page 3499 of Operator's Manual, can cause tipping, structural damage or catastrophic failure.

Asterisk (\*) areas on this chart indicate ratings which are limited by strength of material or factors other than stability (tipping).

„RADIUS IN FEET“ is the horizontal distance at ground level from the crane centerline of rotation to a vertical line through the center of gravity of the suspended load.

When using the main boom fall with jib in place, the main fall ratings must be reduced by the jib effective weight shown on the jib rating chart plus twice the weight of all suspended blocks, slings, rope, etc., at the jib fall. See Appendix A.

When using the main boom fall with boom tip extension in place, the main fall ratings must be reduced by the weight of the boom tip extension plus twice the weight of all suspended blocks, slings, rope, etc., at the boom tip extension fall. See Appendix A.

Blocks, slings, buckets and other load carrying devices are considered part of the load. The weight of standard hoisting ropes for the rating at a given radius has been calculated as part of the boom point load and need not be considered in determining net allowable loads. See Appendix A.

This chart was developed exclusively for use with a boom only. Under no circumstances are these ratings to be interpreted for use with a jib.

Ratings shown on this chart make no allowance for such factors as out of plumb loads, wind, poor soil conditions, improper inflation of rubber tires and dynamic effects due to excessive operating speeds. The user (operator) must exercise judgement to make allowance for these conditions. See page 3499 of Operator's Manual for detailed information.

No account is taken of the wind force on the load. This effect, which can be substantial for loads with large surface areas, must be considered by the user. In any wind it is strongly recommended that taglines be used to control the load.

MAST HOIST LINE is 14 parts of 7/8 inch diameter EIPS wire rope with a minimum breaking strength of 79,600 pound.

PENDANT SUSPENSION LINE is 4 parts of 1.375 inch diameter MONOLAY wire rope with a minimum breaking strength of 208,000 pound.

MAIN LOAD LINE – 1.125 inch diameter EIPS wire rope with a minimum breaking strength of 130,000 pound.

ALTERNATE LOAD LINE (ROTATION RESISTANT) – 1.125 inch diameter BRIDON ENDURANCE DYFORM 34LR Grade 2160 wire rope with a minimum breaking strength of 167,200 pound.

**ERECTION**

Erection „OVER THE END“ is with the boom over the idler end with idler tumblers blocked (See operator's manual for blocking instructions). Erection „OVER THE SIDE“ is with the boom 90° to the sideframes and with the side frames extended. Blocks, slings and other load carrying devices must be on the ground during erection.

| 77SI OFFSET TIP BOOM<br>MAXIMUM BOOM & JIB SELF-ERECTION DATA |                  |                 |                  |                 |
|---|------------------|-----------------|------------------|-----------------|
|   | OVER THE END     |                 | OVER THE SIDE    |                 |
|   | BOOM LENGTH (FT) | JIB LENGTH (FT) | BOOM LENGTH (FT) | JIB LENGTH (FT) |
| #16HL JIB   | 270              | 0               | 240              | 0               |
|   | 260              | 0               | 230              | 60              |
|   | 250              | 60              | 220              | 80              |
|   | 240              | 80              |                  |                 |

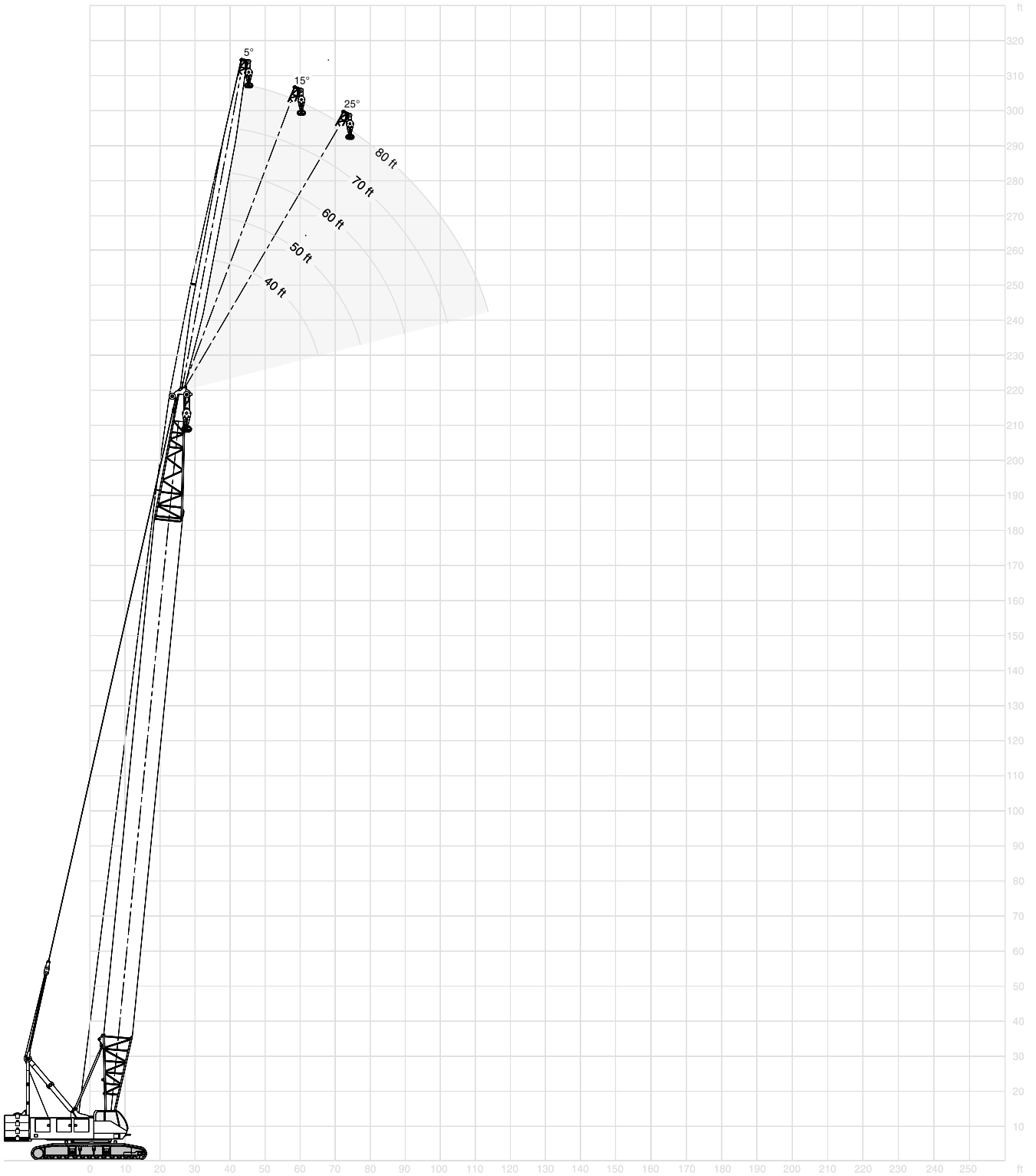
| LOAD HOISTING INFORMATION - 1.125 inch diameter EIPS wire rope |                       |                                  |               |
|--|-----------------------|----------------------------------|---------------|
| MAXIMUM LIFTING CAPACITY - LBS.                                | MINIMUM PARTS OF LINE | MAXIMUM HOISTING DISTANCE - FEET |               |
|  |                       | MAIN - (FRONT)                   | AUX. - (REAR) |
| 235,130  | 7                     | 187                              | 187           |
| 222,840  | 6                     | 218                              | 218           |
| 185,700  | 5                     | 262                              | 262           |
| 148,560  | 4                     | 328                              | 328           |
| 111,420  | 3                     | 437                              | 437           |
| 74,280   | 2                     | 656                              | 656           |
| 37,140   | 1                     | 1,312                            | 1,312         |

| LOAD HOISTING INFORMATION<br>(ROTATION RESISTANT LOAD LINE)<br>1.125 inch diameter BRIDON ENDURANCE DYFORM 34LR Grade 2160 wire rope |                       |                                  |               |
|--|-----------------------|----------------------------------|---------------|
| MAXIMUM LIFTING CAPACITY - LBS.  | MINIMUM PARTS OF LINE | MAXIMUM HOISTING DISTANCE - FEET |               |
|  |                       | MAIN - (FRONT)                   | AUX. - (REAR) |
| 234,080  | 7                     | 187                              | 187           |
| 200,640  | 6                     | 218                              | 218           |
| 167,200  | 5                     | 262                              | 262           |
| 133,760  | 4                     | 328                              | 328           |
| 100,320  | 3                     | 437                              | 437           |
| 66,880   | 2                     | 656                              | 656           |
| 33,440   | 1                     | 1,312                            | 1,312         |

Note: The Single Sheave Boom Point Extension is required to reeve 7 parts of line. The weight of the Single Sheave Boom Point Extension is 590 Pounds.

| 77SI OFFSET TIP<br>BOOM COMPOSITION CHART |                    |                      |                      |                      |                       |                        |                           |
|---|--------------------|----------------------|----------------------|----------------------|-----------------------|------------------------|---------------------------|
| BOOM LENGTH (METERS)                      | BOOM LENGTH (FEET) | BOOM SECTIONS        |                      |                      |                       |                        |                           |
|   |                    | 9.1 M 30' 77SI INNER | 3.0 M 10' 77S CENTER | 6.1 M 20' 77S CENTER | 15.2 M 50' 77S CENTER | 5.9 M 19.5' 77HL OUTER | 9.1 M 30' 77LA OFFSET TIP |
| 24.4 M                                    | 80                 | 1                    | 0                    | 0                    | 0                     | 1                      | 1                         |
| 27.4 M                                    | 90                 | 1                    | 0                    | 0                    | 0                     | 1                      | 1                         |
| 30.5 M                                    | 100                | 1                    | 0                    | 1                    | 0                     | 1                      | 1                         |
| 33.5 M                                    | 110                | 1                    | 1                    | 1                    | 0                     | 1                      | 1                         |
| 36.6 M                                    | 120                | 1                    | 0                    | 2                    | 0                     | 1                      | 1                         |
| 39.6 M                                    | 130                | 1                    | 0                    | 0                    | 1                     | 1                      | 1                         |
| 42.7 M                                    | 140                | 1                    | 1                    | 0                    | 1                     | 1                      | 1                         |
| 45.7 M                                    | 150                | 1                    | 0                    | 1                    | 1                     | 1                      | 1                         |
| 48.8 M                                    | 160                | 1                    | 1                    | 1                    | 1                     | 1                      | 1                         |
| 51.8 M                                    | 170                | 1                    | 0                    | 2                    | 1                     | 1                      | 1                         |
| 54.9 M                                    | 180                | 1                    | 0                    | 0                    | 2                     | 1                      | 1                         |
| 57.9 M                                    | 190                | 1                    | 1                    | 0                    | 2                     | 1                      | 1                         |
| 61.0 M                                    | 200                | 1                    | 0                    | 1                    | 2                     | 1                      | 1                         |
| 64.0 M                                    | 210                | 1                    | 1                    | 1                    | 2                     | 1                      | 1                         |
| 67.1 M                                    | 220                | 1                    | 0                    | 2                    | 2                     | 1                      | 1                         |
| 70.1 M                                    | 230                | 1                    | 0                    | 0                    | 3                     | 1                      | 1                         |
| 73.2 M                                    | 240                | 1                    | 1                    | 0                    | 3                     | 1                      | 1                         |
| 76.2 M                                    | 250                | 1                    | 0                    | 1                    | 3                     | 1                      | 1                         |
| 79.2 M                                    | 260                | 1                    | 1                    | 1                    | 3                     | 1                      | 1                         |
| 82.3 M                                    | 270                | 1                    | 0                    | 2                    | 3                     | 1                      | 1                         |

**RANGE DIAGRAM, 77SI HAMMERHEAD TIP BOOM, #16HL JIB**



**WITH 77SI HAMMERHEAD TIP BOOM AND 102,000 POUND UPPER COUNTERWEIGHT #16HL JIB**

102,000 lb 360° ANSI B 30.5

**40' (12.2 m) Jib length**

| Boom length          | Jib Radius (Feet) | 5.0 Deg offset |                 | 15.0 Deg offset |                 | 25.0 Deg offset |                 |
|----------------------|-------------------|----------------|-----------------|-----------------|-----------------|-----------------|-----------------|
|                      |                   | Boom Angle     | Rating (Pounds) | Boom Angle      | Rating (Pounds) | Boom Angle      | Rating (Pounds) |
|                      | 26                | 82.8           | 32,000*         | -               | -               | -               | -               |
|                      | 30                | 81.2           | 32,000*         | -               | -               | -               | -               |
|                      | 35                | 79.1           | 32,000*         | 81.8            | 32,000*         | -               | -               |
|                      | 40                | 77.0           | 32,000*         | 79.7            | 32,000*         | 82.3            | 32,000*         |
| <b>100' (30.5 m)</b> | 50                | 72.8           | 32,000*         | 75.5            | 32,000*         | 78.0            | 31,870*         |
|                      | 60                | 68.5           | 32,000*         | 71.2            | 32,000*         | 73.6            | 28,630*         |
|                      | 70                | 64.1           | 32,000*         | 66.7            | 31,970*         | 69.1            | 25,980*         |
|                      | 80                | 59.4           | 32,000*         | 62.0            | 28,980*         | 64.3            | 23,890*         |
|                      | 90                | 54.6           | 30,460          | 57.1            | 26,510*         | 59.3            | 22,270*         |
|                      | 100               | 49.3           | 26,280          | 51.8            | 24,550*         | 53.9            | 20,840*         |

|                      |     |      |         |      |         |      |         |
|----------------------|-----|------|---------|------|---------|------|---------|
|                      | 27  | 82.9 | 32,000* | -    | -       | -    | -       |
|                      | 30  | 81.7 | 32,000* | -    | -       | -    | -       |
|                      | 35  | 79.8 | 32,000* | 82.4 | 32,000* | -    | -       |
|                      | 40  | 77.9 | 32,000* | 80.4 | 32,000* | 82.8 | 32,000* |
| <b>110' (33.5 m)</b> | 50  | 74.0 | 32,000* | 76.5 | 32,000* | 78.9 | 32,000* |
|                      | 60  | 70.0 | 32,000* | 72.5 | 32,000* | 74.8 | 29,370* |
|                      | 70  | 65.9 | 32,000* | 68.4 | 32,000* | 70.6 | 26,830* |
|                      | 80  | 61.7 | 32,000* | 64.1 | 30,190* | 66.3 | 24,630* |
|                      | 90  | 57.2 | 30,010  | 59.6 | 27,680* | 61.7 | 22,970* |
|                      | 100 | 52.6 | 25,830  | 54.9 | 25,620* | 56.9 | 21,490* |
|                      | 110 | 47.5 | 22,480  | 49.8 | 22,490  | 51.7 | 20,330* |

|                      |     |      |         |      |         |      |         |
|----------------------|-----|------|---------|------|---------|------|---------|
|                      | 28  | 83.0 | 32,000* | -    | -       | -    | -       |
|                      | 30  | 82.3 | 32,000* | -    | -       | -    | -       |
|                      | 35  | 80.5 | 32,000* | 82.8 | 32,000* | -    | -       |
|                      | 40  | 78.7 | 32,000* | 81.0 | 32,000* | -    | -       |
| <b>120' (36.6 m)</b> | 50  | 75.0 | 32,000* | 77.4 | 32,000* | 79.6 | 32,000* |
|                      | 60  | 71.3 | 32,000* | 73.6 | 32,000* | 75.8 | 30,060* |
|                      | 70  | 67.5 | 32,000* | 69.8 | 32,000* | 71.9 | 27,510* |
|                      | 80  | 63.6 | 32,000* | 65.9 | 31,210* | 67.9 | 25,410* |
|                      | 90  | 59.5 | 29,580  | 61.8 | 28,740* | 63.8 | 23,590* |
|                      | 100 | 55.3 | 25,390  | 57.5 | 25,400  | 59.4 | 22,190* |
|                      | 110 | 50.8 | 22,050  | 52.9 | 22,060  | 54.8 | 20,950* |
|                      | 120 | 45.9 | 19,300  | 48.1 | 19,310  | 49.8 | 19,320  |

|                      |     |      |         |      |         |      |         |
|----------------------|-----|------|---------|------|---------|------|---------|
|                      | 30  | 82.7 | 32,000* | -    | -       | -    | -       |
|                      | 35  | 81.0 | 32,000* | -    | -       | -    | -       |
|                      | 40  | 79.3 | 32,000* | 81.6 | 32,000* | -    | -       |
|                      | 50  | 75.9 | 32,000* | 78.1 | 32,000* | 80.2 | 32,000* |
| <b>130' (39.6 m)</b> | 60  | 72.4 | 32,000* | 74.6 | 32,000* | 76.7 | 30,720* |
|                      | 70  | 68.9 | 32,000* | 71.1 | 32,000* | 73.1 | 28,150* |
|                      | 80  | 65.2 | 32,000* | 67.4 | 32,000* | 69.3 | 26,040* |
|                      | 90  | 61.5 | 29,140  | 63.6 | 29,140  | 65.5 | 24,230* |
|                      | 100 | 57.6 | 24,950  | 59.7 | 24,950  | 61.5 | 22,810* |
|                      | 110 | 53.5 | 21,590  | 55.5 | 21,600  | 57.3 | 21,540* |
|                      | 120 | 49.1 | 18,850  | 51.2 | 18,860  | 52.8 | 18,870  |
|                      | 130 | 44.5 | 16,580  | 46.5 | 16,580  | 48.0 | 16,590  |

| Boom length          | Jib Radius (Feet) | 5.0 Deg offset |                 | 15.0 Deg offset |                 | 25.0 Deg offset |                 |
|----------------------|-------------------|----------------|-----------------|-----------------|-----------------|-----------------|-----------------|
|                      |                   | Boom Angle     | Rating (Pounds) | Boom Angle      | Rating (Pounds) | Boom Angle      | Rating (Pounds) |
|                      | 31                | 82.8           | 32,000*         | -               | -               | -               | -               |
|                      | 35                | 81.5           | 32,000*         | -               | -               | -               | -               |
|                      | 40                | 79.9           | 32,000*         | 82.0            | 32,000*         | -               | -               |
|                      | 50                | 76.7           | 32,000*         | 78.8            | 32,000*         | 80.8            | 32,000*         |
|                      | 60                | 73.4           | 32,000*         | 75.5            | 32,000*         | 77.4            | 31,230*         |
|                      | 70                | 70.1           | 32,000*         | 72.2            | 32,000*         | 74.1            | 28,760*         |
| <b>140' (42.7 m)</b> | 80                | 66.7           | 32,000*         | 68.7            | 32,000*         | 70.6            | 26,630*         |
|                      | 90                | 63.2           | 28,700          | 65.2            | 28,710          | 67.0            | 24,870*         |
|                      | 100               | 59.6           | 24,510          | 61.6            | 24,520          | 63.3            | 23,370*         |
|                      | 110               | 55.8           | 21,150          | 57.8            | 21,160          | 59.5            | 21,170          |
|                      | 120               | 51.8           | 18,410          | 53.8            | 18,410          | 55.4            | 18,430          |
|                      | 130               | 47.7           | 16,120          | 49.6            | 16,130          | 51.1            | 16,140          |
|                      | 140               | 43.2           | 14,200          | 45.0            | 14,200          | 46.5            | 14,220          |

|                      |     |      |         |      |         |      |         |
|----------------------|-----|------|---------|------|---------|------|---------|
|                      | 32  | 82.9 | 32,000* | -    | -       | -    | -       |
|                      | 35  | 82.0 | 32,000* | -    | -       | -    | -       |
|                      | 40  | 80.5 | 32,000* | 82.5 | 32,000* | -    | -       |
|                      | 50  | 77.4 | 32,000* | 79.4 | 32,000* | 81.3 | 32,000* |
|                      | 60  | 74.3 | 32,000* | 76.3 | 32,000* | 78.1 | 31,780* |
|                      | 70  | 71.2 | 32,000* | 73.1 | 32,000* | 74.9 | 29,350* |
| <b>150' (45.7 m)</b> | 80  | 68.0 | 32,000* | 69.9 | 32,000* | 71.7 | 27,250* |
|                      | 90  | 64.7 | 28,310  | 66.6 | 28,320  | 68.3 | 25,450* |
|                      | 100 | 61.3 | 24,120  | 63.2 | 24,120  | 64.9 | 23,970* |
|                      | 110 | 57.8 | 20,760  | 59.7 | 20,760  | 61.3 | 20,770  |
|                      | 120 | 54.2 | 18,010  | 56.0 | 18,010  | 57.6 | 18,030  |
|                      | 130 | 50.4 | 15,730  | 52.2 | 15,730  | 53.7 | 15,740  |
|                      | 140 | 46.3 | 13,790  | 48.1 | 13,800  | 49.5 | 13,810  |
|                      | 150 | 41.9 | 12,140  | 43.7 | 12,150  | 45.0 | 12,160  |

|                      |     |      |         |      |         |      |         |
|----------------------|-----|------|---------|------|---------|------|---------|
|                      | 33  | 82.9 | 32,000* | -    | -       | -    | -       |
|                      | 35  | 82.4 | 32,000* | -    | -       | -    | -       |
|                      | 40  | 80.9 | 32,000* | 82.8 | 32,000* | -    | -       |
|                      | 50  | 78.0 | 32,000* | 79.9 | 32,000* | 81.7 | 32,000* |
|                      | 60  | 75.1 | 32,000* | 77.0 | 32,000* | 78.8 | 32,000* |
|                      | 70  | 72.1 | 32,000* | 74.0 | 32,000* | 75.7 | 29,780* |
| <b>160' (48.8 m)</b> | 80  | 69.1 | 32,000* | 71.0 | 32,000* | 72.7 | 27,800* |
|                      | 90  | 66.0 | 27,870  | 67.9 | 27,880  | 69.5 | 26,000* |
|                      | 100 | 62.9 | 23,670  | 64.7 | 23,680  | 66.3 | 23,690  |
|                      | 110 | 59.6 | 20,310  | 61.4 | 20,320  | 63.0 | 20,330  |
|                      | 120 | 56.2 | 17,560  | 58.0 | 17,570  | 59.5 | 17,580  |
|                      | 130 | 52.7 | 15,280  | 54.4 | 15,280  | 55.9 | 15,290  |
|                      | 140 | 49.0 | 13,340  | 50.7 | 13,340  | 52.1 | 13,350  |
|                      | 150 | 45.1 | 11,690  | 46.7 | 11,700  | 48.1 | 11,710  |
|                      | 160 | 40.8 | 10,260  | 42.4 | 10,270  | 43.7 | 10,280  |



**WITH 77SI HAMMERHEAD TIP BOOM AND 102,000 POUND UPPER COUNTERWEIGHT  
#16HL JIB**

102,000 lb

360°

ANSI B 30.5

**40' (12.2 m) Jib length**

| Boom length                    | Jib Radius (Feet) | 5.0 Deg offset |                 | 15.0 Deg offset |                 | 25.0 Deg offset |                 |
|--------------------------------|-------------------|----------------|-----------------|-----------------|-----------------|-----------------|-----------------|
|                                |                   | Boom Angle     | Rating (Pounds) | Boom Angle      | Rating (Pounds) | Boom Angle      | Rating (Pounds) |
|                                | 34                | 83.0           | 32,000*         | -               | -               | -               | -               |
|                                | 35                | 82.7           | 32,000*         | -               | -               | -               | -               |
|                                | 40                | 81.4           | 32,000*         | -               | -               | -               | -               |
|                                | 50                | 78.6           | 32,000*         | 80.4            | 32,000*         | 82.1            | 32,000*         |
|                                | 60                | 75.8           | 32,000*         | 77.6            | 32,000*         | 79.3            | 32,000*         |
|                                | 70                | 73.0           | 32,000*         | 74.8            | 32,000*         | 76.4            | 30,390*         |
| <b>170'</b><br><b>(51.8 m)</b> | 80                | 70.2           | 32,000*         | 71.9            | 32,000*         | 73.5            | 28,310*         |
|                                | 90                | 67.2           | 27,440          | 69.0            | 27,440          | 70.6            | 26,500*         |
|                                | 100               | 64.3           | 23,240          | 66.0            | 23,250          | 67.5            | 23,260          |
|                                | 110               | 61.2           | 19,880          | 62.9            | 19,880          | 64.4            | 19,890          |
|                                | 120               | 58.0           | 17,120          | 59.7            | 17,130          | 61.2            | 17,140          |
|                                | 130               | 54.8           | 14,840          | 56.4            | 14,840          | 57.9            | 14,850          |
|                                | 140               | 51.3           | 12,890          | 53.0            | 12,900          | 54.4            | 12,910          |
|                                | 150               | 47.7           | 11,230          | 49.3            | 11,240          | 50.7            | 11,250          |
|                                | 160               | 43.9           | 9,810           | 45.5            | 9,820           | 46.7            | 9,830           |
|                                | 170               | 39.8           | 8,570           | 41.3            | 8,570           | 42.5            | 8,590           |

|                                |     |      |         |      |         |      |         |
|--------------------------------|-----|------|---------|------|---------|------|---------|
|                                | 36  | 82.8 | 32,000* | -    | -       | -    | -       |
|                                | 40  | 81.8 | 32,000* | -    | -       | -    | -       |
|                                | 50  | 79.1 | 32,000* | 80.9 | 32,000* | 82.5 | 32,000* |
|                                | 60  | 76.5 | 32,000* | 78.2 | 32,000* | 79.8 | 32,000* |
|                                | 70  | 73.8 | 32,000* | 75.5 | 32,000* | 77.1 | 30,810* |
|                                | 80  | 71.1 | 32,000* | 72.8 | 32,000* | 74.3 | 28,800* |
| <b>180'</b><br><b>(54.9 m)</b> | 90  | 68.3 | 27,010  | 70.0 | 27,010  | 71.5 | 27,010* |
|                                | 100 | 65.5 | 22,800  | 67.2 | 22,800  | 68.7 | 22,810  |
|                                | 110 | 62.6 | 19,430  | 64.3 | 19,440  | 65.7 | 19,450  |
|                                | 120 | 59.6 | 16,680  | 61.3 | 16,680  | 62.7 | 16,700  |
|                                | 130 | 56.6 | 14,380  | 58.2 | 14,390  | 59.6 | 14,400  |
|                                | 140 | 53.4 | 12,440  | 55.0 | 12,450  | 56.3 | 12,460  |
|                                | 150 | 50.1 | 10,780  | 51.6 | 10,790  | 52.9 | 10,800  |
|                                | 160 | 46.6 | 9,340   | 48.1 | 9,350   | 49.3 | 9,360   |
|                                | 170 | 42.8 | 8,100   | 44.3 | 8,110   | 45.5 | 8,120   |
|                                | 180 | 38.8 | 7,010   | 40.3 | 7,020   | 41.3 | 7,030   |

|                                |     |      |         |      |         |      |         |
|--------------------------------|-----|------|---------|------|---------|------|---------|
|                                | 37  | 82.9 | 32,000* | -    | -       | -    | -       |
|                                | 40  | 82.1 | 32,000* | -    | -       | -    | -       |
|                                | 50  | 79.6 | 32,000* | 81.3 | 32,000* | 82.8 | 32,000* |
|                                | 60  | 77.1 | 32,000* | 78.7 | 32,000* | 80.3 | 32,000* |
|                                | 70  | 74.5 | 32,000* | 76.2 | 32,000* | 77.7 | 31,190* |
|                                | 80  | 71.9 | 31,970  | 73.6 | 31,980  | 75.0 | 29,180* |
|                                | 90  | 69.3 | 26,570  | 70.9 | 26,570  | 72.4 | 26,580  |
|                                | 100 | 66.6 | 22,370  | 68.2 | 22,370  | 69.7 | 22,380  |
| <b>190'</b><br><b>(57.9 m)</b> | 110 | 63.9 | 19,000  | 65.5 | 19,000  | 66.9 | 19,020  |
|                                | 120 | 61.1 | 16,240  | 62.7 | 16,240  | 64.0 | 16,250  |
|                                | 130 | 58.2 | 13,940  | 59.8 | 13,950  | 61.1 | 13,960  |
|                                | 140 | 55.2 | 12,000  | 56.8 | 12,000  | 58.1 | 12,010  |
|                                | 150 | 52.1 | 10,330  | 53.6 | 10,340  | 54.9 | 10,350  |
|                                | 160 | 48.9 | 8,900   | 50.4 | 8,910   | 51.6 | 8,920   |
|                                | 170 | 45.5 | 7,650   | 46.9 | 7,650   | 48.1 | 7,670   |
|                                | 180 | 41.8 | 6,560   | 43.3 | 6,560   | 44.3 | 6,580   |
|                                | 190 | 37.9 | 5,590   | 39.3 | 5,600   | 40.3 | 5,620   |

| Boom length                    | Jib Radius (Feet) | 5.0 Deg offset |                 | 15.0 Deg offset |                 | 25.0 Deg offset |                 |
|--------------------------------|-------------------|----------------|-----------------|-----------------|-----------------|-----------------|-----------------|
|                                |                   | Boom Angle     | Rating (Pounds) | Boom Angle      | Rating (Pounds) | Boom Angle      | Rating (Pounds) |
|                                | 38                | 82.9           | 32,000*         | -               | -               | -               | -               |
|                                | 40                | 82.4           | 32,000*         | -               | -               | -               | -               |
|                                | 50                | 80.0           | 32,000*         | 81.6            | 32,000*         | -               | -               |
|                                | 60                | 77.6           | 32,000*         | 79.2            | 32,000*         | 80.7            | 32,000*         |
|                                | 70                | 75.2           | 32,000*         | 76.7            | 32,000*         | 78.2            | 31,590*         |
|                                | 80                | 72.7           | 31,570          | 74.3            | 31,580          | 75.7            | 29,630*         |
|                                | 90                | 70.2           | 26,180          | 71.7            | 26,180          | 73.2            | 26,190          |
|                                | 100               | 67.7           | 21,970          | 69.2            | 21,970          | 70.6            | 21,980          |
| <b>200'</b><br><b>(61.0 m)</b> | 110               | 65.1           | 18,600          | 66.6            | 18,600          | 67.9            | 18,610          |
|                                | 120               | 62.4           | 15,830          | 63.9            | 15,840          | 65.2            | 15,850          |
|                                | 130               | 59.7           | 13,530          | 61.2            | 13,530          | 62.5            | 13,540          |
|                                | 140               | 56.9           | 11,590          | 58.3            | 11,590          | 59.6            | 11,610          |
|                                | 150               | 54.0           | 9,920           | 55.4            | 9,930           | 56.6            | 9,940           |
|                                | 160               | 50.9           | 8,490           | 52.4            | 8,490           | 53.6            | 8,510           |
|                                | 170               | 47.8           | 7,240           | 49.2            | 7,250           | 50.3            | 7,260           |
|                                | 180               | 44.5           | 6,140           | 45.8            | 6,140           | 46.9            | 6,160           |
|                                | 190               | 40.9           | 5,170           | 42.3            | 5,180           | 43.3            | 5,190           |
|                                | 200               | 37.1           | 4,310           | 38.4            | 4,320           | 39.3            | 4,330           |

|                                |     |      |         |      |         |      |         |
|--------------------------------|-----|------|---------|------|---------|------|---------|
|                                | 39  | 83.0 | 32,000* | -    | -       | -    | -       |
|                                | 40  | 82.7 | 32,000* | -    | -       | -    | -       |
|                                | 50  | 80.4 | 32,000* | 82.0 | 32,000* | -    | -       |
|                                | 60  | 78.1 | 32,000* | 79.6 | 32,000* | 81.1 | 32,000* |
|                                | 70  | 75.8 | 32,000* | 77.3 | 32,000* | 78.7 | 31,970* |
|                                | 80  | 73.4 | 31,140  | 74.9 | 31,150  | 76.3 | 30,080* |
|                                | 90  | 71.0 | 25,740  | 72.5 | 25,740  | 73.9 | 25,750  |
|                                | 100 | 68.6 | 21,530  | 70.1 | 21,530  | 71.4 | 21,540  |
| <b>210'</b><br><b>(64.0 m)</b> | 110 | 66.1 | 18,160  | 67.6 | 18,160  | 68.9 | 18,170  |
|                                | 120 | 63.6 | 15,390  | 65.0 | 15,390  | 66.3 | 15,400  |
|                                | 130 | 61.0 | 13,080  | 62.4 | 13,090  | 63.7 | 13,100  |
|                                | 140 | 58.4 | 11,140  | 59.8 | 11,150  | 61.0 | 11,160  |
|                                | 150 | 55.6 | 9,470   | 57.0 | 9,480   | 58.2 | 9,490   |
|                                | 160 | 52.8 | 8,040   | 54.2 | 8,040   | 55.3 | 8,060   |
|                                | 170 | 49.8 | 6,780   | 51.2 | 6,780   | 52.3 | 6,800   |
|                                | 180 | 46.8 | 5,680   | 48.1 | 5,690   | 49.2 | 5,700   |
|                                | 190 | 43.5 | 4,710   | 44.8 | 4,720   | 45.8 | 4,730   |
|                                | 200 | 40.0 | 3,840   | 41.3 | 3,850   | 42.3 | 3,860   |
|                                | 210 | 36.3 | 3,070   | 37.5 | 3,080   | 38.4 | 3,100   |

|                                |     |      |         |      |         |      |         |
|--------------------------------|-----|------|---------|------|---------|------|---------|
|                                | 41  | 82.8 | 32,000* | -    | -       | -    | -       |
|                                | 50  | 80.8 | 32,000* | 82.3 | 32,000* | -    | -       |
|                                | 60  | 78.6 | 32,000* | 80.0 | 32,000* | 81.4 | 32,000* |
|                                | 70  | 76.3 | 32,000* | 77.8 | 32,000* | 79.1 | 32,000* |
|                                | 80  | 74.1 | 30,720  | 75.5 | 30,730  | 76.8 | 30,360* |
|                                | 90  | 71.8 | 25,320  | 73.2 | 25,320  | 74.5 | 25,330  |
|                                | 100 | 69.4 | 21,090  | 70.9 | 21,100  | 72.2 | 21,110  |
|                                | 110 | 67.1 | 17,720  | 68.5 | 17,730  | 69.8 | 17,740  |
| <b>220'</b><br><b>(67.1 m)</b> | 120 | 64.7 | 14,960  | 66.1 | 14,960  | 67.3 | 14,970  |
|                                | 130 | 62.2 | 12,650  | 63.6 | 12,660  | 64.8 | 12,670  |
|                                | 140 | 59.7 | 10,700  | 61.1 | 10,700  | 62.3 | 10,710  |
|                                | 150 | 57.1 | 9,040   | 58.5 | 9,040   | 59.6 | 9,050   |
|                                | 160 | 54.4 | 7,590   | 55.8 | 7,600   | 56.9 | 7,610   |
|                                | 170 | 51.7 | 6,340   | 53.0 | 6,340   | 54.1 | 6,350   |
|                                | 180 | 48.8 | 5,230   | 50.1 | 5,230   | 51.2 | 5,250   |
|                                | 190 | 45.8 | 4,250   | 47.1 | 4,260   | 48.1 | 4,270   |
|                                | 200 | 42.6 | 3,390   | 43.9 | 3,400   | 44.8 | 3,410   |
|                                | 210 | 39.2 | 2,620   | 40.5 | 2,620   | 41.3 | 2,640   |



**WITH 77SI HAMMERHEAD TIP BOOM AND 102,000 POUND UPPER COUNTERWEIGHT #16HL JIB**

102,000 lb 360° ANSI B 30.5

**50' (15.2 m) Jib length**

| Boom length          | Jib Radius (Feet) | 5.0 Deg offset |                 | 15.0 Deg offset |                 | 25.0 Deg offset |                 |
|----------------------|-------------------|----------------|-----------------|-----------------|-----------------|-----------------|-----------------|
|                      |                   | Boom Angle     | Rating (Pounds) | Boom Angle      | Rating (Pounds) | Boom Angle      | Rating (Pounds) |
|                      | 32                | 82.7           | 32,000*         | -               | -               | -               | -               |
|                      | 35                | 81.8           | 32,000*         | -               | -               | -               | -               |
|                      | 40                | 80.2           | 32,000*         | 82.8            | 29,160*         | -               | -               |
|                      | 50                | 77.0           | 30,720*         | 79.6            | 28,290*         | 82.1            | 26,260*         |
| <b>130' (39.6 m)</b> | 60                | 73.7           | 29,600*         | 76.3            | 27,380*         | 78.8            | 25,740*         |
|                      | 70                | 70.4           | 28,580*         | 73.0            | 26,640*         | 75.4            | 23,910*         |
|                      | 80                | 67.0           | 27,750*         | 69.5            | 25,930*         | 71.9            | 22,110*         |
|                      | 90                | 63.5           | 26,890*         | 66.0            | 25,320*         | 68.3            | 20,640*         |
|                      | 100               | 59.8           | 25,230          | 62.3            | 23,620*         | 64.6            | 19,330*         |
|                      | 110               | 56.1           | 21,880          | 58.5            | 21,890          | 60.7            | 18,220*         |
|                      | 120               | 52.1           | 19,140          | 54.6            | 19,140          | 56.7            | 17,280*         |
|                      | 130               | 47.9           | 16,850          | 50.3            | 16,860          | 52.3            | 16,470*         |

|                      |     |      |         |      |         |      |         |
|----------------------|-----|------|---------|------|---------|------|---------|
|                      | 33  | 82.8 | 32,000* | -    | -       | -    | -       |
|                      | 35  | 82.2 | 32,000* | -    | -       | -    | -       |
|                      | 40  | 80.7 | 32,000* | -    | -       | -    | -       |
|                      | 50  | 77.7 | 30,910* | 80.2 | 28,390* | 82.5 | 26,350* |
|                      | 60  | 74.6 | 29,810* | 77.1 | 27,490* | 79.4 | 25,740* |
|                      | 70  | 71.4 | 28,910* | 73.9 | 26,760* | 76.2 | 24,390* |
| <b>140' (42.7 m)</b> | 80  | 68.2 | 27,980* | 70.7 | 26,070* | 72.9 | 22,570* |
|                      | 90  | 65.0 | 27,100* | 67.4 | 25,520* | 69.6 | 21,030* |
|                      | 100 | 61.6 | 24,790  | 64.0 | 24,430* | 66.1 | 19,800* |
|                      | 110 | 58.1 | 21,440  | 60.4 | 21,440  | 62.5 | 18,650* |
|                      | 120 | 54.4 | 18,690  | 56.8 | 18,700  | 58.8 | 17,680* |
|                      | 130 | 50.6 | 16,400  | 52.9 | 16,400  | 54.9 | 16,420  |
|                      | 140 | 46.6 | 14,470  | 48.8 | 14,480  | 50.7 | 14,490  |

|                      |     |      |         |      |         |      |         |
|----------------------|-----|------|---------|------|---------|------|---------|
|                      | 34  | 82.9 | 32,000* | -    | -       | -    | -       |
|                      | 35  | 82.6 | 32,000* | -    | -       | -    | -       |
|                      | 40  | 81.2 | 32,000* | -    | -       | -    | -       |
|                      | 50  | 78.3 | 31,040* | 80.7 | 28,390* | 82.9 | 26,300* |
|                      | 60  | 75.4 | 30,100* | 77.7 | 27,650* | 79.9 | 25,720* |
|                      | 70  | 72.4 | 29,120* | 74.7 | 26,880* | 76.9 | 24,760* |
| <b>150' (45.7 m)</b> | 80  | 69.4 | 28,170* | 71.7 | 26,230* | 73.8 | 23,020* |
|                      | 90  | 66.3 | 27,360* | 68.6 | 25,670* | 70.7 | 21,480* |
|                      | 100 | 63.1 | 24,390  | 65.4 | 24,400  | 67.5 | 20,170* |
|                      | 110 | 59.9 | 21,030  | 62.1 | 21,040  | 64.1 | 19,080* |
|                      | 120 | 56.5 | 18,280  | 58.7 | 18,290  | 60.7 | 18,110* |
|                      | 130 | 52.9 | 16,000  | 55.1 | 16,000  | 57.0 | 16,020  |
|                      | 140 | 49.2 | 14,060  | 51.4 | 14,060  | 53.2 | 14,080  |
|                      | 150 | 45.3 | 12,410  | 47.4 | 12,420  | 49.1 | 12,430  |

|                      |     |      |         |      |         |      |         |
|----------------------|-----|------|---------|------|---------|------|---------|
|                      | 35  | 83.0 | 32,000* | -    | -       | -    | -       |
|                      | 40  | 81.6 | 32,000* | -    | -       | -    | -       |
|                      | 50  | 78.8 | 31,280* | 81.1 | 28,400* | -    | -       |
|                      | 60  | 76.1 | 30,170* | 78.3 | 27,660* | 80.4 | 25,790* |
|                      | 70  | 73.3 | 29,310* | 75.5 | 26,990* | 77.6 | 25,220* |
|                      | 80  | 70.4 | 28,440* | 72.6 | 26,390* | 74.7 | 23,380* |
| <b>160' (48.8 m)</b> | 90  | 67.5 | 27,570* | 69.7 | 25,780* | 71.7 | 21,890* |
|                      | 100 | 64.5 | 23,950  | 66.7 | 23,960  | 68.6 | 20,590* |
|                      | 110 | 61.4 | 20,590  | 63.6 | 20,590  | 65.5 | 19,440* |
|                      | 120 | 58.3 | 17,830  | 60.4 | 17,840  | 62.3 | 17,850  |
|                      | 130 | 55.0 | 15,540  | 57.1 | 15,540  | 58.9 | 15,560  |
|                      | 140 | 51.6 | 13,600  | 53.6 | 13,610  | 55.4 | 13,620  |
|                      | 150 | 48.0 | 11,940  | 50.0 | 11,950  | 51.7 | 11,970  |
|                      | 160 | 44.1 | 10,520  | 46.1 | 10,530  | 47.7 | 10,550  |

| Boom length          | Jib Radius (Feet) | 5.0 Deg offset |                 | 15.0 Deg offset |                 | 25.0 Deg offset |                 |
|----------------------|-------------------|----------------|-----------------|-----------------|-----------------|-----------------|-----------------|
|                      |                   | Boom Angle     | Rating (Pounds) | Boom Angle      | Rating (Pounds) | Boom Angle      | Rating (Pounds) |
|                      | 37                | 82.8           | 32,000*         | -               | -               | -               | -               |
|                      | 40                | 82.0           | 32,000*         | -               | -               | -               | -               |
|                      | 50                | 79.4           | 31,260*         | 81.5            | 28,440*         | -               | -               |
|                      | 60                | 76.7           | 30,360*         | 78.9            | 27,790*         | 80.9            | 25,790*         |
|                      | 70                | 74.0           | 29,380*         | 76.2            | 27,100*         | 78.2            | 25,270*         |
|                      | 80                | 71.3           | 28,590*         | 73.4            | 26,460*         | 75.4            | 23,790*         |
| <b>170' (51.8 m)</b> | 90                | 68.5           | 27,710          | 70.7            | 25,870*         | 72.6            | 22,270*         |
|                      | 100               | 65.7           | 23,510          | 67.8            | 23,510          | 69.7            | 20,980*         |
|                      | 110               | 62.8           | 20,140          | 64.9            | 20,150          | 66.8            | 19,840*         |
|                      | 120               | 59.9           | 17,390          | 61.9            | 17,400          | 63.7            | 17,410          |
|                      | 130               | 56.8           | 15,100          | 58.8            | 15,110          | 60.6            | 15,120          |
|                      | 140               | 53.6           | 13,150          | 55.6            | 13,160          | 57.3            | 13,170          |
|                      | 150               | 50.3           | 11,500          | 52.3            | 11,510          | 53.9            | 11,520          |
|                      | 160               | 46.8           | 10,070          | 48.7            | 10,070          | 50.3            | 10,090          |
|                      | 170               | 43.1           | 8,820           | 44.9            | 8,830           | 46.4            | 8,850           |

|                      |     |      |         |      |         |      |         |
|----------------------|-----|------|---------|------|---------|------|---------|
|                      | 38  | 82.8 | 32,000* | -    | -       | -    | -       |
|                      | 40  | 82.3 | 32,000* | -    | -       | -    | -       |
|                      | 50  | 79.8 | 31,420* | 81.9 | 28,480* | -    | -       |
|                      | 60  | 77.3 | 30,430* | 79.4 | 27,790* | 81.3 | 25,770* |
|                      | 70  | 74.7 | 29,570* | 76.8 | 27,210* | 78.7 | 25,320* |
|                      | 80  | 72.2 | 28,720* | 74.2 | 26,530* | 76.1 | 24,160* |
| <b>180' (54.9 m)</b> | 90  | 69.5 | 27,270  | 71.5 | 25,960* | 73.4 | 22,620* |
|                      | 100 | 66.8 | 23,070  | 68.8 | 23,070  | 70.7 | 21,350* |
|                      | 110 | 64.1 | 19,700  | 66.1 | 19,710  | 67.9 | 19,720  |
|                      | 120 | 61.3 | 16,940  | 63.3 | 16,940  | 65.0 | 16,950  |
|                      | 130 | 58.4 | 14,640  | 60.4 | 14,650  | 62.1 | 14,660  |
|                      | 140 | 55.4 | 12,710  | 57.4 | 12,710  | 59.0 | 12,730  |
|                      | 150 | 52.3 | 11,040  | 54.2 | 11,050  | 55.8 | 11,060  |
|                      | 160 | 49.1 | 9,610   | 51.0 | 9,620   | 52.5 | 9,630   |
|                      | 170 | 45.7 | 8,360   | 47.5 | 8,360   | 49.0 | 8,380   |
|                      | 180 | 42.1 | 7,270   | 43.8 | 7,270   | 45.2 | 7,290   |

|                      |     |      |         |      |         |      |         |
|----------------------|-----|------|---------|------|---------|------|---------|
|                      | 39  | 82.9 | 32,000* | -    | -       | -    | -       |
|                      | 40  | 82.6 | 32,000* | -    | -       | -    | -       |
|                      | 50  | 80.2 | 31,420* | 82.2 | 28,450* | -    | -       |
|                      | 60  | 77.8 | 30,490* | 79.8 | 27,820* | 81.7 | 25,700* |
|                      | 70  | 75.4 | 29,730* | 77.4 | 27,200* | 79.2 | 25,270* |
|                      | 80  | 72.9 | 28,960* | 74.9 | 26,580* | 76.7 | 24,420* |
|                      | 90  | 70.4 | 26,840  | 72.3 | 26,140* | 74.1 | 22,960* |
|                      | 100 | 67.9 | 22,630  | 69.8 | 22,630  | 71.5 | 21,700* |
| <b>190' (57.9 m)</b> | 110 | 65.3 | 19,260  | 67.2 | 19,260  | 68.9 | 19,280  |
|                      | 120 | 62.6 | 16,500  | 64.5 | 16,510  | 66.2 | 16,520  |
|                      | 130 | 59.9 | 14,200  | 61.8 | 14,210  | 63.4 | 14,220  |
|                      | 140 | 57.1 | 12,260  | 58.9 | 12,270  | 60.5 | 12,280  |
|                      | 150 | 54.2 | 10,590  | 56.0 | 10,600  | 57.6 | 10,610  |
|                      | 160 | 51.1 | 9,160   | 53.0 | 9,170   | 54.5 | 9,180   |
|                      | 170 | 48.0 | 7,900   | 49.8 | 7,910   | 51.2 | 7,920   |
|                      | 180 | 44.7 | 6,810   | 46.4 | 6,810   | 47.8 | 6,830   |
|                      | 190 | 41.1 | 5,840   | 42.8 | 5,850   | 44.1 | 5,870   |



**WITH 77SI HAMMERHEAD TIP BOOM AND 102,000 POUND UPPER COUNTERWEIGHT  
#16HL JIB**

102,000 lb

360°

ANSI B 30.5

**50' (15.2 m) Jib length**

| Boom length      | Jib Radius (Feet) | 5.0 Deg offset |                 | 15.0 Deg offset |                 | 25.0 Deg offset |                 |
|------------------|-------------------|----------------|-----------------|-----------------|-----------------|-----------------|-----------------|
|                  |                   | Boom Angle     | Rating (Pounds) | Boom Angle      | Rating (Pounds) | Boom Angle      | Rating (Pounds) |
|                  | 40                | 82.9           | 32,000*         | -               | -               | -               | -               |
|                  | 50                | 80.6           | 31,490*         | 82.6            | 28,430*         | -               | -               |
|                  | 60                | 78.3           | 30,650*         | 80.2            | 27,740*         | 82.0            | 25,590*         |
|                  | 70                | 76.0           | 29,740*         | 77.9            | 27,200*         | 79.6            | 25,280*         |
|                  | 80                | 73.6           | 28,970*         | 75.5            | 26,660*         | 77.2            | 24,770*         |
|                  | 90                | 71.2           | 26,440          | 73.1            | 26,110*         | 74.8            | 23,300*         |
|                  | 100               | 68.8           | 22,230          | 70.6            | 22,230          | 72.3            | 22,030*         |
|                  | 110               | 66.3           | 18,850          | 68.1            | 18,850          | 69.8            | 18,860          |
| 200'<br>(61.0 m) | 120               | 63.8           | 16,090          | 65.6            | 16,100          | 67.2            | 16,110          |
|                  | 130               | 61.2           | 13,780          | 63.0            | 13,790          | 64.6            | 13,800          |
|                  | 140               | 58.5           | 11,840          | 60.3            | 11,850          | 61.9            | 11,860          |
|                  | 150               | 55.8           | 10,170          | 57.6            | 10,180          | 59.1            | 10,190          |
|                  | 160               | 53.0           | 8,740           | 54.7            | 8,750           | 56.2            | 8,760           |
|                  | 170               | 50.0           | 7,490           | 51.8            | 7,490           | 53.2            | 7,510           |
|                  | 180               | 47.0           | 6,380           | 48.7            | 6,390           | 50.0            | 6,400           |
|                  | 190               | 43.7           | 5,410           | 45.4            | 5,420           | 46.7            | 5,430           |
| 200              | 40.2              | 4,550          | 41.9            | 4,560           | 43.1            | 4,580           |                 |

| Boom length      | Jib Radius (Feet) | 5.0 Deg offset |                 | 15.0 Deg offset |                 | 25.0 Deg offset |                 |
|------------------|-------------------|----------------|-----------------|-----------------|-----------------|-----------------|-----------------|
|                  |                   | Boom Angle     | Rating (Pounds) | Boom Angle      | Rating (Pounds) | Boom Angle      | Rating (Pounds) |
|                  | 43                | 82.8           | 31,940*         | -               | -               | -               | -               |
|                  | 50                | 81.3           | 31,460*         | -               | -               | -               | -               |
|                  | 60                | 79.2           | 30,670*         | 81.0            | 27,710*         | 82.6            | 25,550*         |
|                  | 70                | 77.0           | 29,960*         | 78.8            | 27,210*         | 80.4            | 25,190*         |
|                  | 80                | 74.9           | 29,130*         | 76.6            | 26,670*         | 78.2            | 24,850*         |
|                  | 90                | 72.7           | 25,570          | 74.4            | 25,570          | 76.0            | 23,920*         |
|                  | 100               | 70.4           | 21,360          | 72.1            | 21,360          | 73.7            | 21,370          |
|                  | 110               | 68.2           | 17,970          | 69.9            | 17,980          | 71.4            | 17,990          |
| 220'<br>(67.1 m) | 120               | 65.9           | 15,200          | 67.6            | 15,210          | 69.1            | 15,220          |
|                  | 130               | 63.5           | 12,900          | 65.2            | 12,900          | 66.7            | 12,920          |
|                  | 140               | 61.1           | 10,950          | 62.8            | 10,960          | 64.3            | 10,970          |
|                  | 150               | 58.7           | 9,280           | 60.3            | 9,290           | 61.8            | 9,300           |
|                  | 160               | 56.1           | 7,840           | 57.8            | 7,850           | 59.2            | 7,860           |
|                  | 170               | 53.5           | 6,580           | 55.1            | 6,580           | 56.5            | 6,600           |
|                  | 180               | 50.8           | 5,470           | 52.4            | 5,480           | 53.8            | 5,500           |
|                  | 190               | 48.0           | 4,500           | 49.6            | 4,500           | 50.9            | 4,520           |
|                  | 200               | 45.1           | 3,630           | 46.6            | 3,640           | 47.8            | 3,660           |
|                  | 210               | 42.0           | 2,850           | 43.5            | 2,860           | 44.6            | 2,880           |
| 220              | 38.6              | 2,160          | 40.1            | 2,170           | 41.2            | 2,190           |                 |

|                  |      |       |         |       |         |       |         |
|------------------|------|-------|---------|-------|---------|-------|---------|
|                  | 41   | 83.0  | 32,000* | -     | -       | -     | -       |
|                  | 50   | 81.0  | 31,500* | 82.8  | 28,400* | -     | -       |
|                  | 60   | 78.8  | 30,600* | 80.6  | 27,790* | 82.3  | 25,550* |
|                  | 70   | 76.5  | 29,840* | 78.3  | 27,210* | 80.1  | 25,240* |
|                  | 80   | 74.3  | 29,130* | 76.1  | 26,700* | 77.8  | 24,840* |
|                  | 90   | 72.0  | 26,000  | 73.8  | 26,000  | 75.4  | 23,620* |
|                  | 100  | 69.6  | 21,790  | 71.4  | 21,790  | 73.1  | 21,800  |
|                  | 110  | 67.3  | 18,400  | 69.0  | 18,410  | 70.7  | 18,420  |
| 210'<br>(64.0 m) | 120  | 64.9  | 15,650  | 66.6  | 15,650  | 68.2  | 15,670  |
|                  | 130  | 62.4  | 13,340  | 64.1  | 13,350  | 65.7  | 13,360  |
|                  | 140  | 59.9  | 11,400  | 61.6  | 11,400  | 63.1  | 11,420  |
|                  | 150  | 57.3  | 9,730   | 59.0  | 9,730   | 60.5  | 9,750   |
|                  | 160  | 54.6  | 8,280   | 56.3  | 8,290   | 57.8  | 8,300   |
|                  | 170  | 51.9  | 7,030   | 53.5  | 7,030   | 54.9  | 7,050   |
|                  | 180  | 49.0  | 5,930   | 50.6  | 5,930   | 52.0  | 5,950   |
|                  | 190  | 46.0  | 4,950   | 47.6  | 4,960   | 48.9  | 4,970   |
| 200              | 42.8 | 4,080 | 44.4    | 4,090 | 45.6    | 4,110 |         |
| 210              | 39.4 | 3,320 | 41.0    | 3,320 | 42.1    | 3,340 |         |

**60' (18.3 m) Jib length**

| Boom length      | Jib Radius (Feet) | 5.0 Deg offset |                 | 15.0 Deg offset |                 | 25.0 Deg offset |                 |
|------------------|-------------------|----------------|-----------------|-----------------|-----------------|-----------------|-----------------|
|                  |                   | Boom Angle     | Rating (Pounds) | Boom Angle      | Rating (Pounds) | Boom Angle      | Rating (Pounds) |
|                  | 36                | 82.9           | 29,770*         | -               | -               | -               | -               |
|                  | 40                | 81.8           | 29,310*         | -               | -               | -               | -               |
|                  | 50                | 79.1           | 28,220*         | 81.8            | 25,520*         | -               | -               |
|                  | 60                | 76.3           | 27,180*         | 79.0            | 24,720*         | 81.6            | 22,840*         |
|                  | 70                | 73.5           | 26,280*         | 76.2            | 24,030*         | 78.7            | 21,700*         |
|                  | 80                | 70.6           | 25,330*         | 73.3            | 23,420*         | 75.8            | 20,160*         |
| 150'<br>(45.7 m) | 90                | 67.7           | 24,620*         | 70.4            | 22,760*         | 72.8            | 18,790*         |
|                  | 100               | 64.7           | 23,870*         | 67.4            | 21,930*         | 69.8            | 17,610*         |
|                  | 110               | 61.7           | 21,280          | 64.3            | 20,460*         | 66.6            | 16,620*         |
|                  | 120               | 58.5           | 18,520          | 61.1            | 18,530          | 63.4            | 15,760*         |
|                  | 130               | 55.2           | 16,240          | 57.8            | 16,240          | 60.0            | 14,980*         |
|                  | 140               | 51.8           | 14,300          | 54.3            | 14,310          | 56.5            | 14,320*         |
|                  | 150               | 48.2           | 12,650          | 50.7            | 12,650          | 52.8            | 12,670          |

| Boom length      | Jib Radius (Feet) | 5.0 Deg offset |                 | 15.0 Deg offset |                 | 25.0 Deg offset |                 |
|------------------|-------------------|----------------|-----------------|-----------------|-----------------|-----------------|-----------------|
|                  |                   | Boom Angle     | Rating (Pounds) | Boom Angle      | Rating (Pounds) | Boom Angle      | Rating (Pounds) |
|                  | 37                | 83.0           | 29,690*         | -               | -               | -               | -               |
|                  | 40                | 82.2           | 29,360*         | -               | -               | -               | -               |
|                  | 50                | 79.6           | 28,350*         | 82.2            | 25,540*         | -               | -               |
|                  | 60                | 76.9           | 27,370*         | 79.5            | 24,810*         | 82.0            | 22,840*         |
|                  | 70                | 74.3           | 26,400*         | 76.8            | 24,090*         | 79.3            | 21,990*         |
|                  | 80                | 71.5           | 25,570*         | 74.1            | 23,480*         | 76.5            | 20,460*         |
| 160'<br>(48.8 m) | 90                | 68.8           | 24,750*         | 71.3            | 22,950*         | 73.7            | 19,100*         |
|                  | 100               | 65.9           | 24,040*         | 68.5            | 22,400*         | 70.8            | 17,910*         |
|                  | 110               | 63.1           | 20,830          | 65.6            | 20,840          | 67.8            | 16,930*         |
|                  | 120               | 60.1           | 18,080          | 62.6            | 18,090          | 64.8            | 16,090*         |
|                  | 130               | 57.0           | 15,780          | 59.5            | 15,790          | 61.6            | 15,330*         |
|                  | 140               | 53.8           | 13,840          | 56.3            | 13,850          | 58.4            | 13,870          |
|                  | 150               | 50.5           | 12,190          | 52.9            | 12,200          | 54.9            | 12,220          |
|                  | 160               | 47.0           | 10,760          | 49.3            | 10,760          | 51.3            | 10,780          |

**WITH 77SI HAMMERHEAD TIP BOOM AND 102,000 POUND UPPER COUNTERWEIGHT  
#16HL JIB**

102,000 lb 360° ANSI B 30.5

**60' (18.3 m) Jib length**

| Boom length          | Jib Radius (Feet) | 5.0 Deg offset |                 | 15.0 Deg offset |                 | 25.0 Deg offset |                 |
|----------------------|-------------------|----------------|-----------------|-----------------|-----------------|-----------------|-----------------|
|                      |                   | Boom Angle     | Rating (Pounds) | Boom Angle      | Rating (Pounds) | Boom Angle      | Rating (Pounds) |
|                      | 39                | 82.8           | 29,570*         | -               | -               | -               | -               |
|                      | 40                | 82.5           | 29,440*         | -               | -               | -               | -               |
|                      | 50                | 80.0           | 28,370*         | 82.5            | 25,520*         | -               | -               |
|                      | 60                | 77.5           | 27,510*         | 80.0            | 24,800*         | 82.3            | 22,770*         |
|                      | 70                | 75.0           | 26,630*         | 77.4            | 24,150*         | 79.7            | 22,200*         |
|                      | 80                | 72.4           | 25,710*         | 74.8            | 23,540*         | 77.1            | 20,670*         |
| <b>170' (51.8 m)</b> | 90                | 69.7           | 24,980*         | 72.2            | 22,990*         | 74.4            | 19,390*         |
|                      | 100               | 67.1           | 23,760          | 69.5            | 22,480*         | 71.7            | 18,230*         |
|                      | 110               | 64.3           | 20,390          | 66.7            | 20,400          | 68.9            | 17,210*         |
|                      | 120               | 61.5           | 17,640          | 63.9            | 17,640          | 66.0            | 16,350*         |
|                      | 130               | 58.6           | 15,340          | 61.0            | 15,350          | 63.1            | 15,370          |
|                      | 140               | 55.6           | 13,400          | 58.0            | 13,400          | 60.0            | 13,420          |
|                      | 150               | 52.5           | 11,740          | 54.8            | 11,750          | 56.8            | 11,770          |
|                      | 160               | 49.3           | 10,310          | 51.6            | 10,320          | 53.5            | 10,340          |
|                      | 170               | 45.9           | 9,060           | 48.1            | 9,060           | 50.0            | 9,080           |

|                      |     |      |         |      |         |      |         |
|----------------------|-----|------|---------|------|---------|------|---------|
|                      | 40  | 82.8 | 29,400* | -    | -       | -    | -       |
|                      | 50  | 80.5 | 28,510* | 82.8 | 25,470* | -    | -       |
|                      | 60  | 78.0 | 27,520* | 80.4 | 24,890* | 82.7 | 22,790* |
|                      | 70  | 75.6 | 26,740* | 78.0 | 24,220* | 80.2 | 22,280* |
|                      | 80  | 73.1 | 25,920* | 75.5 | 23,700* | 77.7 | 20,960* |
|                      | 90  | 70.6 | 25,170* | 72.9 | 23,130* | 75.1 | 19,690* |
| <b>180' (54.9 m)</b> | 100 | 68.1 | 23,320  | 70.4 | 22,540* | 72.5 | 18,490* |
|                      | 110 | 65.5 | 19,940  | 67.8 | 19,940  | 69.9 | 17,500* |
|                      | 120 | 62.8 | 17,180  | 65.1 | 17,190  | 67.1 | 16,630* |
|                      | 130 | 60.1 | 14,890  | 62.3 | 14,900  | 64.4 | 14,910  |
|                      | 140 | 57.3 | 12,940  | 59.5 | 12,950  | 61.5 | 12,960  |
|                      | 150 | 54.4 | 11,280  | 56.6 | 11,290  | 58.5 | 11,310  |
|                      | 160 | 51.4 | 9,850   | 53.5 | 9,860   | 55.4 | 9,870   |
|                      | 170 | 48.2 | 8,590   | 50.3 | 8,600   | 52.1 | 8,620   |
|                      | 180 | 44.9 | 7,500   | 47.0 | 7,510   | 48.7 | 7,520   |

|                      |     |      |         |      |         |      |         |
|----------------------|-----|------|---------|------|---------|------|---------|
|                      | 41  | 82.9 | 29,230* | -    | -       | -    | -       |
|                      | 50  | 80.8 | 28,450* | -    | -       | -    | -       |
|                      | 60  | 78.5 | 27,650* | 80.8 | 24,810* | 83.0 | 22,650* |
|                      | 70  | 76.2 | 26,850* | 78.5 | 24,290* | 80.6 | 22,320* |
|                      | 80  | 73.8 | 25,990* | 76.1 | 23,760* | 78.2 | 21,170* |
|                      | 90  | 71.4 | 25,250* | 73.7 | 23,180* | 75.7 | 19,950* |
| <b>190' (57.9 m)</b> | 100 | 69.0 | 22,880  | 71.2 | 22,690* | 73.3 | 18,810* |
|                      | 110 | 66.5 | 19,500  | 68.7 | 19,500  | 70.7 | 17,800* |
|                      | 120 | 64.0 | 16,740  | 66.2 | 16,750  | 68.2 | 16,760  |
|                      | 130 | 61.4 | 14,430  | 63.6 | 14,440  | 65.5 | 14,460  |
|                      | 140 | 58.7 | 12,490  | 60.9 | 12,500  | 62.8 | 12,520  |
|                      | 150 | 56.0 | 10,830  | 58.1 | 10,840  | 60.0 | 10,860  |
|                      | 160 | 53.2 | 9,390   | 55.3 | 9,400   | 57.1 | 9,410   |
|                      | 170 | 50.2 | 8,140   | 52.3 | 8,150   | 54.1 | 8,160   |
|                      | 180 | 47.1 | 7,040   | 49.2 | 7,050   | 50.9 | 7,070   |
|                      | 190 | 43.9 | 6,070   | 45.9 | 6,080   | 47.5 | 6,100   |

| Boom length          | Jib Radius (Feet) | 5.0 Deg offset |                 | 15.0 Deg offset |                 | 25.0 Deg offset |                 |
|----------------------|-------------------|----------------|-----------------|-----------------|-----------------|-----------------|-----------------|
|                      |                   | Boom Angle     | Rating (Pounds) | Boom Angle      | Rating (Pounds) | Boom Angle      | Rating (Pounds) |
|                      | 42                | 83.0           | 29,210*         | -               | -               | -               | -               |
|                      | 50                | 81.2           | 28,530*         | -               | -               | -               | -               |
|                      | 60                | 79.0           | 27,680*         | 81.2            | 24,820*         | -               | -               |
|                      | 70                | 76.7           | 26,860*         | 78.9            | 24,260*         | 81.0            | 22,250*         |
|                      | 80                | 74.4           | 26,170*         | 76.6            | 23,730*         | 78.7            | 21,470*         |
|                      | 90                | 72.2           | 25,450*         | 74.3            | 23,220*         | 76.3            | 20,170*         |
|                      | 100               | 69.8           | 22,470          | 72.0            | 22,470          | 74.0            | 19,000*         |
|                      | 110               | 67.5           | 19,090          | 69.6            | 19,100          | 71.5            | 18,040*         |
| <b>200' (61.0 m)</b> | 120               | 65.1           | 16,330          | 67.2            | 16,330          | 69.1            | 16,350          |
|                      | 130               | 62.6           | 14,030          | 64.7            | 14,040          | 66.6            | 14,050          |
|                      | 140               | 60.1           | 12,080          | 62.2            | 12,090          | 64.0            | 12,100          |
|                      | 150               | 57.5           | 10,420          | 59.6            | 10,430          | 61.4            | 10,440          |
|                      | 160               | 54.8           | 8,970           | 56.9            | 8,980           | 58.6            | 8,990           |
|                      | 170               | 52.1           | 7,720           | 54.1            | 7,720           | 55.8            | 7,740           |
|                      | 180               | 49.2           | 6,620           | 51.2            | 6,630           | 52.8            | 6,640           |
|                      | 190               | 46.2           | 5,640           | 48.1            | 5,650           | 49.7            | 5,670           |
|                      | 200               | 43.0           | 4,780           | 44.9            | 4,790           | 46.4            | 4,810           |

|                      |     |      |         |      |         |      |         |
|----------------------|-----|------|---------|------|---------|------|---------|
|                      | 44  | 82.8 | 28,990* | -    | -       | -    | -       |
|                      | 50  | 81.5 | 28,480* | -    | -       | -    | -       |
|                      | 60  | 79.4 | 27,700* | 81.5 | 24,760* | -    | -       |
|                      | 70  | 77.2 | 26,960* | 79.3 | 24,260* | 81.3 | 22,190* |
|                      | 80  | 75.0 | 26,210* | 77.1 | 23,790* | 79.1 | 21,680* |
|                      | 90  | 72.8 | 25,510* | 74.9 | 23,240* | 76.9 | 20,390* |
|                      | 100 | 70.6 | 22,030  | 72.7 | 22,030  | 74.6 | 19,300* |
|                      | 110 | 68.3 | 18,640  | 70.4 | 18,650  | 72.3 | 18,320* |
| <b>210' (64.0 m)</b> | 120 | 66.0 | 15,880  | 68.1 | 15,890  | 69.9 | 15,910  |
|                      | 130 | 63.7 | 13,580  | 65.7 | 13,590  | 67.5 | 13,600  |
|                      | 140 | 61.3 | 11,630  | 63.3 | 11,640  | 65.1 | 11,660  |
|                      | 150 | 58.8 | 9,960   | 60.8 | 9,970   | 62.6 | 9,980   |
|                      | 160 | 56.3 | 8,520   | 58.3 | 8,530   | 60.0 | 8,550   |
|                      | 170 | 53.7 | 7,260   | 55.7 | 7,270   | 57.3 | 7,280   |
|                      | 180 | 51.0 | 6,150   | 52.9 | 6,160   | 54.6 | 6,180   |
|                      | 190 | 48.2 | 5,180   | 50.1 | 5,180   | 51.7 | 5,200   |
|                      | 200 | 45.2 | 4,310   | 47.1 | 4,320   | 48.6 | 4,340   |
|                      | 210 | 42.1 | 3,540   | 44.0 | 3,550   | 45.4 | 3,570   |

|                      |     |      |         |      |         |      |         |
|----------------------|-----|------|---------|------|---------|------|---------|
|                      | 45  | 82.8 | 28,840* | -    | -       | -    | -       |
|                      | 50  | 81.8 | 28,460* | -    | -       | -    | -       |
|                      | 60  | 79.8 | 27,720* | 81.8 | 24,760* | -    | -       |
|                      | 70  | 77.7 | 26,950* | 79.7 | 24,230* | 81.6 | 22,130* |
|                      | 80  | 75.6 | 26,270* | 77.6 | 23,790* | 79.5 | 21,800* |
|                      | 90  | 73.5 | 25,560* | 75.5 | 23,260* | 77.4 | 20,630* |
|                      | 100 | 71.3 | 21,600  | 73.3 | 21,600  | 75.2 | 19,490* |
|                      | 110 | 69.1 | 18,210  | 71.1 | 18,220  | 73.0 | 18,230  |
| <b>220' (67.1 m)</b> | 120 | 66.9 | 15,440  | 68.9 | 15,450  | 70.7 | 15,460  |
|                      | 130 | 64.7 | 13,140  | 66.7 | 13,140  | 68.4 | 13,160  |
|                      | 140 | 62.4 | 11,190  | 64.4 | 11,200  | 66.1 | 11,210  |
|                      | 150 | 60.1 | 9,520   | 62.0 | 9,520   | 63.7 | 9,540   |
|                      | 160 | 57.7 | 8,080   | 59.6 | 8,080   | 61.3 | 8,100   |
|                      | 170 | 55.2 | 6,810   | 57.1 | 6,820   | 58.7 | 6,830   |
|                      | 180 | 52.7 | 5,700   | 54.5 | 5,710   | 56.1 | 5,730   |
|                      | 190 | 50.0 | 4,720   | 51.9 | 4,730   | 53.4 | 4,750   |
|                      | 200 | 47.3 | 3,860   | 49.1 | 3,860   | 50.6 | 3,880   |
|                      | 210 | 44.4 | 3,080   | 46.2 | 3,090   | 47.6 | 3,110   |
|                      | 220 | 41.3 | 2,390   | 43.1 | 2,400   | 44.4 | 2,420   |



**WITH 77SI HAMMERHEAD TIP BOOM AND 102,000 POUND UPPER COUNTERWEIGHT #16HL JIB**

102,000 lb

360°

ANSI B 30.5

**70' (21.3 m) Jib length**

| Boom length          | Jib Radius (Feet) | 5.0 Deg offset Boom Angle | 5.0 Deg offset Rating (Pounds) | 15.0 Deg offset Boom Angle | 15.0 Deg offset Rating (Pounds) | 25.0 Deg offset Boom Angle | 25.0 Deg offset Rating (Pounds) |
|----------------------|-------------------|---------------------------|--------------------------------|----------------------------|---------------------------------|----------------------------|---------------------------------|
|                      | 42                | 82.9                      | 22,110*                        | -                          | -                               | -                          | -                               |
|                      | 50                | 81.0                      | 21,490*                        | -                          | -                               | -                          | -                               |
|                      | 60                | 78.7                      | 20,710*                        | 81.4                       | 18,400*                         | -                          | -                               |
|                      | 70                | 76.4                      | 19,960*                        | 79.0                       | 17,880*                         | 81.6                       | 16,230*                         |
|                      | 80                | 74.0                      | 19,300*                        | 76.7                       | 17,360*                         | 79.2                       | 15,910*                         |
|                      | 90                | 71.6                      | 18,660*                        | 74.2                       | 16,880*                         | 76.7                       | 15,460*                         |
| <b>180' (54.9 m)</b> | 100               | 69.2                      | 18,060*                        | 71.8                       | 16,460*                         | 74.2                       | 15,030*                         |
|                      | 110               | 66.7                      | 17,480*                        | 69.3                       | 15,990*                         | 71.7                       | 14,640*                         |
|                      | 120               | 64.2                      | 16,990*                        | 66.8                       | 15,490*                         | 69.1                       | 14,300*                         |
|                      | 130               | 61.6                      | 15,880*                        | 64.1                       | 15,070*                         | 66.5                       | 13,810*                         |
|                      | 140               | 58.9                      | 13,140                         | 61.5                       | 13,150                          | 63.7                       | 13,170*                         |
|                      | 150               | 56.2                      | 11,480                         | 58.7                       | 11,490                          | 60.9                       | 11,510                          |
|                      | 160               | 53.4                      | 10,040                         | 55.9                       | 10,050                          | 58.0                       | 10,070                          |
|                      | 170               | 50.4                      | 8,790                          | 52.9                       | 8,800                           | 55.0                       | 8,820                           |
|                      | 180               | 47.3                      | 7,690                          | 49.8                       | 7,700                           | 51.8                       | 7,720                           |

|                      |     |      |         |      |         |      |         |
|----------------------|-----|------|---------|------|---------|------|---------|
|                      | 43  | 82.9 | 22,040* | -    | -       | -    | -       |
|                      | 50  | 81.4 | 21,550* | -    | -       | -    | -       |
|                      | 60  | 79.2 | 20,740* | 81.7 | 18,420* | -    | -       |
|                      | 70  | 76.9 | 20,000* | 79.5 | 17,870* | 81.9 | 16,210* |
|                      | 80  | 74.6 | 19,340* | 77.2 | 17,450* | 79.6 | 15,880* |
|                      | 90  | 72.3 | 18,800* | 74.9 | 16,980* | 77.2 | 15,460* |
| <b>190' (57.9 m)</b> | 100 | 70.0 | 18,210* | 72.5 | 16,490* | 74.9 | 15,030* |
|                      | 110 | 67.7 | 17,620* | 70.2 | 16,110* | 72.5 | 14,660* |
|                      | 120 | 65.2 | 16,950  | 67.7 | 15,620* | 70.0 | 14,350* |
|                      | 130 | 62.8 | 14,640  | 65.2 | 14,650  | 67.5 | 14,010* |
|                      | 140 | 60.3 | 12,700  | 62.7 | 12,710  | 64.9 | 12,720  |
|                      | 150 | 57.7 | 11,030  | 60.1 | 11,040  | 62.2 | 11,050  |
|                      | 160 | 55.0 | 9,590   | 57.4 | 9,600   | 59.5 | 9,620   |
|                      | 170 | 52.2 | 8,340   | 54.6 | 8,350   | 56.7 | 8,360   |
|                      | 180 | 49.4 | 7,240   | 51.7 | 7,250   | 53.7 | 7,270   |
|                      | 190 | 46.4 | 6,260   | 48.7 | 6,270   | 50.6 | 6,290   |

|                      |     |      |         |      |         |      |         |
|----------------------|-----|------|---------|------|---------|------|---------|
|                      | 44  | 83.0 | 22,000* | -    | -       | -    | -       |
|                      | 50  | 81.7 | 21,520* | -    | -       | -    | -       |
|                      | 60  | 79.6 | 20,770* | 82.0 | 18,450* | -    | -       |
|                      | 70  | 77.4 | 20,140* | 79.9 | 17,950* | 82.2 | 16,190* |
|                      | 80  | 75.2 | 19,470* | 77.7 | 17,420* | 80.0 | 15,860* |
|                      | 90  | 73.0 | 18,860* | 75.5 | 17,010* | 77.7 | 15,530* |
|                      | 100 | 70.8 | 18,290* | 73.2 | 16,600* | 75.5 | 15,100* |
|                      | 110 | 68.5 | 17,770* | 70.9 | 16,170* | 73.2 | 14,740* |
| <b>200' (61.0 m)</b> | 120 | 66.2 | 16,520  | 68.6 | 15,740* | 70.8 | 14,380* |
|                      | 130 | 63.9 | 14,230  | 66.3 | 14,240  | 68.4 | 14,120* |
|                      | 140 | 61.5 | 12,280  | 63.8 | 12,290  | 66.0 | 12,310  |
|                      | 150 | 59.0 | 10,610  | 61.4 | 10,620  | 63.4 | 10,640  |
|                      | 160 | 56.5 | 9,170   | 58.8 | 9,180   | 60.9 | 9,200   |
|                      | 170 | 53.9 | 7,920   | 56.2 | 7,930   | 58.2 | 7,940   |
|                      | 180 | 51.2 | 6,810   | 53.5 | 6,820   | 55.4 | 6,840   |
|                      | 190 | 48.4 | 5,840   | 50.6 | 5,850   | 52.5 | 5,870   |
|                      | 200 | 45.4 | 4,970   | 47.6 | 4,980   | 49.4 | 5,000   |

| Boom length          | Jib Radius (Feet) | 5.0 Deg offset Boom Angle | 5.0 Deg offset Rating (Pounds) | 15.0 Deg offset Boom Angle | 15.0 Deg offset Rating (Pounds) | 25.0 Deg offset Boom Angle | 25.0 Deg offset Rating (Pounds) |
|----------------------|-------------------|---------------------------|--------------------------------|----------------------------|---------------------------------|----------------------------|---------------------------------|
|                      | 46                | 82.8                      | 21,860*                        | -                          | -                               | -                          | -                               |
|                      | 50                | 82.0                      | 21,580*                        | -                          | -                               | -                          | -                               |
|                      | 60                | 79.9                      | 20,880*                        | 82.3                       | 18,400*                         | -                          | -                               |
|                      | 70                | 77.9                      | 20,210*                        | 80.2                       | 17,960*                         | 82.5                       | 16,210*                         |
|                      | 80                | 75.8                      | 19,580*                        | 78.1                       | 17,510*                         | 80.4                       | 15,860*                         |
|                      | 90                | 73.6                      | 18,980*                        | 76.0                       | 17,020*                         | 78.2                       | 15,510*                         |
|                      | 100               | 71.5                      | 18,440*                        | 73.8                       | 16,620*                         | 76.0                       | 15,150*                         |
|                      | 110               | 69.3                      | 17,880*                        | 71.7                       | 16,200*                         | 73.8                       | 14,810*                         |
| <b>210' (64.0 m)</b> | 120               | 67.1                      | 16,080                         | 69.4                       | 15,890*                         | 71.6                       | 14,460*                         |
|                      | 130               | 64.9                      | 13,780                         | 67.2                       | 13,780                          | 69.3                       | 13,800                          |
|                      | 140               | 62.6                      | 11,830                         | 64.9                       | 11,840                          | 66.9                       | 11,860                          |
|                      | 150               | 60.2                      | 10,160                         | 62.5                       | 10,170                          | 64.5                       | 10,180                          |
|                      | 160               | 57.8                      | 8,720                          | 60.1                       | 8,730                           | 62.1                       | 8,740                           |
|                      | 170               | 55.4                      | 7,460                          | 57.6                       | 7,470                           | 59.5                       | 7,490                           |
|                      | 180               | 52.8                      | 6,350                          | 55.0                       | 6,360                           | 56.9                       | 6,380                           |
|                      | 190               | 50.2                      | 5,370                          | 52.4                       | 5,380                           | 54.2                       | 5,400                           |
|                      | 200               | 47.4                      | 4,510                          | 49.6                       | 4,520                           | 51.4                       | 4,540                           |
|                      | 210               | 44.6                      | 3,720                          | 46.7                       | 3,730                           | 48.4                       | 3,760                           |

|                      |     |      |         |      |         |      |         |
|----------------------|-----|------|---------|------|---------|------|---------|
|                      | 47  | 82.9 | 21,780* | -    | -       | -    | -       |
|                      | 50  | 82.3 | 21,550* | -    | -       | -    | -       |
|                      | 60  | 80.3 | 20,910* | 82.6 | 18,430* | -    | -       |
|                      | 70  | 78.3 | 20,250* | 80.6 | 17,960* | 82.8 | 16,120* |
|                      | 80  | 76.3 | 19,620* | 78.6 | 17,490* | 80.7 | 15,860* |
|                      | 90  | 74.2 | 19,010* | 76.5 | 17,100* | 78.6 | 15,550* |
|                      | 100 | 72.2 | 18,540* | 74.4 | 16,640* | 76.5 | 15,210* |
|                      | 110 | 70.1 | 17,970* | 72.3 | 16,290* | 74.4 | 14,820* |
| <b>220' (67.1 m)</b> | 120 | 68.0 | 15,640  | 70.2 | 15,650  | 72.2 | 14,530* |
|                      | 130 | 65.8 | 13,330  | 68.0 | 13,340  | 70.1 | 13,360  |
|                      | 140 | 63.6 | 11,390  | 65.8 | 11,400  | 67.8 | 11,410  |
|                      | 150 | 61.4 | 9,710   | 63.6 | 9,720   | 65.5 | 9,740   |
|                      | 160 | 59.1 | 8,270   | 61.3 | 8,280   | 63.2 | 8,300   |
|                      | 170 | 56.7 | 7,010   | 58.9 | 7,020   | 60.8 | 7,040   |
|                      | 180 | 54.3 | 5,900   | 56.5 | 5,910   | 58.3 | 5,930   |
|                      | 190 | 51.8 | 4,920   | 53.9 | 4,930   | 55.8 | 4,950   |
|                      | 200 | 49.2 | 4,050   | 51.3 | 4,060   | 53.1 | 4,080   |
|                      | 210 | 46.5 | 3,270   | 48.6 | 3,280   | 50.3 | 3,300   |
|                      | 220 | 43.7 | 2,570   | 45.8 | 2,590   | 47.4 | 2,610   |

**WITH 77SI HAMMERHEAD TIP BOOM AND 102,000 POUND UPPER COUNTERWEIGHT  
#16HL JIB**

102,000 lb 360° ANSI B 30.5

**80' (24.4 m) Jib length**

| Boom length          | Jib Radius (Feet) | 5.0 Deg offset |                 | 15.0 Deg offset |                 | 25.0 Deg offset |                 |
|----------------------|-------------------|----------------|-----------------|-----------------|-----------------|-----------------|-----------------|
|                      |                   | Boom Angle     | Rating (Pounds) | Boom Angle      | Rating (Pounds) | Boom Angle      | Rating (Pounds) |
|                      | 46                | 83.0           | 17,280*         | -               | -               | -               | -               |
|                      | 50                | 82.2           | 16,980*         | -               | -               | -               | -               |
|                      | 60                | 80.1           | 16,300*         | 82.9            | 14,140*         | -               | -               |
|                      | 70                | 78.0           | 15,680*         | 80.8            | 13,680*         | -               | -               |
|                      | 80                | 75.9           | 15,040*         | 78.7            | 13,290*         | 81.2            | 11,670*         |
|                      | 90                | 73.8           | 14,490*         | 76.5            | 12,790*         | 79.1            | 11,250*         |
|                      | 100               | 71.7           | 13,980*         | 74.4            | 12,330*         | 76.9            | 10,910*         |
|                      | 110               | 69.5           | 13,550*         | 72.2            | 11,890*         | 74.7            | 10,610*         |
| <b>200' (61.0 m)</b> | 120               | 67.3           | 13,050*         | 70.0            | 11,440*         | 72.4            | 10,320*         |
|                      | 130               | 65.0           | 12,490*         | 67.7            | 11,120*         | 70.1            | 10,090*         |
|                      | 140               | 62.8           | 12,030*         | 65.4            | 10,780*         | 67.8            | 9,860*          |
|                      | 150               | 60.4           | 10,800          | 63.0            | 10,480*         | 65.4            | 9,650*          |
|                      | 160               | 58.0           | 9,360           | 60.6            | 9,370           | 62.9            | 9,390           |
|                      | 170               | 55.6           | 8,100           | 58.1            | 8,110           | 60.4            | 8,130           |
|                      | 180               | 53.0           | 6,990           | 55.5            | 7,000           | 57.7            | 7,030           |
|                      | 190               | 50.4           | 6,010           | 52.9            | 6,020           | 55.0            | 6,050           |
|                      | 200               | 47.6           | 5,150           | 50.1            | 5,160           | 52.2            | 5,180           |

|                      |     |      |         |      |         |      |         |
|----------------------|-----|------|---------|------|---------|------|---------|
|                      | 48  | 82.8 | 17,170* | -    | -       | -    | -       |
|                      | 50  | 82.4 | 17,020* | -    | -       | -    | -       |
|                      | 60  | 80.5 | 16,340* | -    | -       | -    | -       |
|                      | 70  | 78.4 | 15,700* | 81.1 | 13,690* | -    | -       |
|                      | 80  | 76.4 | 15,120* | 79.1 | 13,300* | 81.5 | 11,660* |
|                      | 90  | 74.4 | 14,600* | 77.0 | 12,870* | 79.5 | 11,310* |
|                      | 100 | 72.3 | 14,100* | 74.9 | 12,370* | 77.4 | 10,970* |
|                      | 110 | 70.2 | 13,610* | 72.8 | 11,940* | 75.2 | 10,650* |
| <b>210' (64.0 m)</b> | 120 | 68.1 | 13,210* | 70.7 | 11,550* | 73.1 | 10,360* |
|                      | 130 | 66.0 | 12,700* | 68.5 | 11,190* | 70.9 | 10,140* |
|                      | 140 | 63.8 | 12,020  | 66.3 | 10,840* | 68.6 | 9,910*  |
|                      | 150 | 61.5 | 10,350  | 64.1 | 10,360  | 66.3 | 9,670*  |
|                      | 160 | 59.3 | 8,900   | 61.8 | 8,910   | 64.0 | 8,930   |
|                      | 170 | 56.9 | 7,640   | 59.4 | 7,650   | 61.6 | 7,670   |
|                      | 180 | 54.5 | 6,530   | 57.0 | 6,550   | 59.1 | 6,570   |
|                      | 190 | 52.0 | 5,560   | 54.4 | 5,570   | 56.5 | 5,590   |
|                      | 200 | 49.4 | 4,680   | 51.8 | 4,690   | 53.9 | 4,720   |
|                      | 210 | 46.7 | 3,910   | 49.1 | 3,920   | 51.1 | 3,940   |

| Boom length          | Jib Radius (Feet) | 5.0 Deg offset |                 | 15.0 Deg offset |                 | 25.0 Deg offset |                 |
|----------------------|-------------------|----------------|-----------------|-----------------|-----------------|-----------------|-----------------|
|                      |                   | Boom Angle     | Rating (Pounds) | Boom Angle      | Rating (Pounds) | Boom Angle      | Rating (Pounds) |
|                      | 49                | 82.9           | 17,060*         | -               | -               | -               | -               |
|                      | 50                | 82.7           | 17,020*         | -               | -               | -               | -               |
|                      | 60                | 80.8           | 16,350*         | -               | -               | -               | -               |
|                      | 70                | 78.8           | 15,760*         | 81.4            | 13,700*         | -               | -               |
|                      | 80                | 76.9           | 15,220*         | 79.4            | 13,320*         | 81.8            | 11,670*         |
|                      | 90                | 74.9           | 14,670*         | 77.5            | 12,940*         | 79.8            | 11,310*         |
|                      | 100               | 72.9           | 14,210*         | 75.5            | 12,460*         | 77.8            | 10,970*         |
|                      | 110               | 70.9           | 13,700*         | 73.4            | 12,000*         | 75.8            | 10,670*         |
| <b>220' (67.1 m)</b> | 120               | 68.9           | 13,280*         | 71.4            | 11,650*         | 73.7            | 10,400*         |
|                      | 130               | 66.8           | 12,830*         | 69.3            | 11,250*         | 71.6            | 10,130*         |
|                      | 140               | 64.7           | 11,570          | 67.2            | 10,920*         | 69.4            | 9,920*          |
|                      | 150               | 62.6           | 9,910           | 65.0            | 9,920           | 67.2            | 9,730*          |
|                      | 160               | 60.4           | 8,460           | 62.8            | 8,470           | 65.0            | 8,480           |
|                      | 170               | 58.2           | 7,190           | 60.6            | 7,200           | 62.7            | 7,220           |
|                      | 180               | 55.9           | 6,090           | 58.2            | 6,100           | 60.3            | 6,120           |
|                      | 190               | 53.5           | 5,100           | 55.9            | 5,110           | 57.9            | 5,130           |
|                      | 200               | 51.1           | 4,230           | 53.4            | 4,240           | 55.4            | 4,260           |
|                      | 210               | 48.5           | 3,450           | 50.8            | 3,460           | 52.8            | 3,490           |
|                      | 220               | 45.9           | 2,760           | 48.2            | 2,770           | 50.0            | 2,790           |

3

**WITH 77SI HAMMERHEAD TIP BOOM AND 116,400 POUND COUNTERWEIGHT  
#16HL JIB**

108,400 lb + 8,000 lb carbody counterweight

360°

ANSI B 30.5

**40' (12.2 m) Jib length**

| Boom length          | Jib Radius (Feet) | 5.0 Deg offset |                 | 15.0 Deg offset |                 | 25.0 Deg offset |                 |
|----------------------|-------------------|----------------|-----------------|-----------------|-----------------|-----------------|-----------------|
|                      |                   | Boom Angle     | Rating (Pounds) | Boom Angle      | Rating (Pounds) | Boom Angle      | Rating (Pounds) |
|                      | 26                | 82.8           | 32,000*         | -               | -               | -               | -               |
|                      | 30                | 81.2           | 32,000*         | -               | -               | -               | -               |
|                      | 35                | 79.1           | 32,000*         | 81.8            | 32,000*         | -               | -               |
|                      | 40                | 77.0           | 32,000*         | 79.7            | 32,000*         | 82.3            | 32,000*         |
| <b>100' (30.5 m)</b> | 50                | 72.8           | 32,000*         | 75.5            | 32,000*         | 78.0            | 31,980*         |
|                      | 60                | 68.5           | 32,000*         | 71.2            | 32,000*         | 73.6            | 28,600*         |
|                      | 70                | 64.1           | 32,000*         | 66.7            | 31,930*         | 69.1            | 25,990*         |
|                      | 80                | 59.4           | 32,000*         | 62.0            | 28,940*         | 64.3            | 23,950*         |
|                      | 90                | 54.6           | 30,530*         | 57.1            | 26,570*         | 59.3            | 22,240*         |
|                      | 100               | 49.3           | 27,580*         | 51.8            | 24,610*         | 53.9            | 20,800*         |

|                      |     |      |         |      |         |      |         |
|----------------------|-----|------|---------|------|---------|------|---------|
|                      | 27  | 82.9 | 32,000* | -    | -       | -    | -       |
|                      | 30  | 81.7 | 32,000* | -    | -       | -    | -       |
|                      | 35  | 79.8 | 32,000* | 82.4 | 32,000* | -    | -       |
|                      | 40  | 77.9 | 32,000* | 80.4 | 32,000* | 82.8 | 32,000* |
| <b>110' (33.5 m)</b> | 50  | 74.0 | 32,000* | 76.5 | 32,000* | 78.9 | 32,000* |
|                      | 60  | 70.0 | 32,000* | 72.5 | 32,000* | 74.8 | 29,340* |
|                      | 70  | 65.9 | 32,000* | 68.4 | 32,000* | 70.6 | 26,800* |
|                      | 80  | 61.7 | 32,000* | 64.1 | 30,140* | 66.3 | 24,700* |
|                      | 90  | 57.2 | 31,930  | 59.6 | 27,640* | 61.7 | 22,940* |
|                      | 100 | 52.6 | 27,520  | 54.9 | 25,570* | 56.9 | 21,540* |
|                      | 110 | 47.5 | 24,000  | 49.8 | 23,870* | 51.7 | 20,370* |

|                      |     |      |         |      |         |      |         |
|----------------------|-----|------|---------|------|---------|------|---------|
|                      | 28  | 83.0 | 32,000* | -    | -       | -    | -       |
|                      | 30  | 82.3 | 32,000* | -    | -       | -    | -       |
|                      | 35  | 80.5 | 32,000* | 82.8 | 32,000* | -    | -       |
|                      | 40  | 78.7 | 32,000* | 81.0 | 32,000* | -    | -       |
| <b>120' (36.6 m)</b> | 50  | 75.0 | 32,000* | 77.4 | 32,000* | 79.6 | 32,000* |
|                      | 60  | 71.3 | 32,000* | 73.6 | 32,000* | 75.8 | 30,030* |
|                      | 70  | 67.5 | 32,000* | 69.8 | 32,000* | 71.9 | 27,480* |
|                      | 80  | 63.6 | 32,000* | 65.9 | 31,300* | 67.9 | 25,380* |
|                      | 90  | 59.5 | 31,500  | 61.8 | 28,700* | 63.8 | 23,650* |
|                      | 100 | 55.3 | 27,090  | 57.5 | 26,600* | 59.4 | 22,160* |
|                      | 110 | 50.8 | 23,570  | 52.9 | 23,580  | 54.8 | 20,990* |
|                      | 120 | 45.9 | 20,680  | 48.1 | 20,690  | 49.8 | 19,920* |

|                      |     |      |         |      |         |      |         |
|----------------------|-----|------|---------|------|---------|------|---------|
|                      | 30  | 82.7 | 32,000* | -    | -       | -    | -       |
|                      | 35  | 81.0 | 32,000* | -    | -       | -    | -       |
|                      | 40  | 79.3 | 32,000* | 81.6 | 32,000* | -    | -       |
|                      | 50  | 75.9 | 32,000* | 78.1 | 32,000* | 80.2 | 32,000* |
| <b>130' (39.6 m)</b> | 60  | 72.4 | 32,000* | 74.6 | 32,000* | 76.7 | 30,690* |
|                      | 70  | 68.9 | 32,000* | 71.1 | 32,000* | 73.1 | 28,120* |
|                      | 80  | 65.2 | 32,000* | 67.4 | 32,000* | 69.3 | 26,010* |
|                      | 90  | 61.5 | 31,070  | 63.6 | 29,710* | 65.5 | 24,290* |
|                      | 100 | 57.6 | 26,660  | 59.7 | 26,660  | 61.5 | 22,770* |
|                      | 110 | 53.5 | 23,120  | 55.5 | 23,130  | 57.3 | 21,590* |
|                      | 120 | 49.1 | 20,230  | 51.2 | 20,240  | 52.8 | 20,250  |
|                      | 130 | 44.5 | 17,830  | 46.5 | 17,830  | 48.0 | 17,840  |

| Boom length          | Jib Radius (Feet) | 5.0 Deg offset |                 | 15.0 Deg offset |                 | 25.0 Deg offset |                 |
|----------------------|-------------------|----------------|-----------------|-----------------|-----------------|-----------------|-----------------|
|                      |                   | Boom Angle     | Rating (Pounds) | Boom Angle      | Rating (Pounds) | Boom Angle      | Rating (Pounds) |
|                      | 31                | 82.8           | 32,000*         | -               | -               | -               | -               |
|                      | 35                | 81.5           | 32,000*         | -               | -               | -               | -               |
|                      | 40                | 79.9           | 32,000*         | 82.0            | 32,000*         | -               | -               |
|                      | 50                | 76.7           | 32,000*         | 78.8            | 32,000*         | 80.8            | 32,000*         |
|                      | 60                | 73.4           | 32,000*         | 75.5            | 32,000*         | 77.4            | 31,210*         |
|                      | 70                | 70.1           | 32,000*         | 72.2            | 32,000*         | 74.1            | 28,730*         |
| <b>140' (42.7 m)</b> | 80                | 66.7           | 32,000*         | 68.7            | 32,000*         | 70.6            | 26,600*         |
|                      | 90                | 63.2           | 30,630          | 65.2            | 30,640          | 67.0            | 24,840*         |
|                      | 100               | 59.6           | 26,220          | 61.6            | 26,230          | 63.3            | 23,430*         |
|                      | 110               | 55.8           | 22,690          | 57.8            | 22,700          | 59.5            | 22,110*         |
|                      | 120               | 51.8           | 19,800          | 53.8            | 19,800          | 55.4            | 19,820          |
|                      | 130               | 47.7           | 17,390          | 49.6            | 17,400          | 51.1            | 17,410          |
|                      | 140               | 43.2           | 15,360          | 45.0            | 15,360          | 46.5            | 15,380          |

|                      |     |      |         |      |         |      |         |
|----------------------|-----|------|---------|------|---------|------|---------|
|                      | 32  | 82.9 | 32,000* | -    | -       | -    | -       |
|                      | 35  | 82.0 | 32,000* | -    | -       | -    | -       |
|                      | 40  | 80.5 | 32,000* | 82.5 | 32,000* | -    | -       |
|                      | 50  | 77.4 | 32,000* | 79.4 | 32,000* | 81.3 | 32,000* |
|                      | 60  | 74.3 | 32,000* | 76.3 | 32,000* | 78.1 | 31,750* |
|                      | 70  | 71.2 | 32,000* | 73.1 | 32,000* | 74.9 | 29,330* |
| <b>150' (45.7 m)</b> | 80  | 68.0 | 32,000* | 69.9 | 32,000* | 71.7 | 27,220* |
|                      | 90  | 64.7 | 30,250  | 66.6 | 30,260  | 68.3 | 25,420* |
|                      | 100 | 61.3 | 25,840  | 63.2 | 25,840  | 64.9 | 23,940* |
|                      | 110 | 57.8 | 22,300  | 59.7 | 22,300  | 61.3 | 22,310  |
|                      | 120 | 54.2 | 19,410  | 56.0 | 19,410  | 57.6 | 19,430  |
|                      | 130 | 50.4 | 17,000  | 52.2 | 17,000  | 53.7 | 17,010  |
|                      | 140 | 46.3 | 14,960  | 48.1 | 14,970  | 49.5 | 14,980  |
|                      | 150 | 41.9 | 13,220  | 43.7 | 13,230  | 45.0 | 13,240  |

|                      |     |      |         |      |         |      |         |
|----------------------|-----|------|---------|------|---------|------|---------|
|                      | 33  | 82.9 | 32,000* | -    | -       | -    | -       |
|                      | 35  | 82.4 | 32,000* | -    | -       | -    | -       |
|                      | 40  | 80.9 | 32,000* | 82.8 | 32,000* | -    | -       |
|                      | 50  | 78.0 | 32,000* | 79.9 | 32,000* | 81.7 | 32,000* |
|                      | 60  | 75.1 | 32,000* | 77.0 | 32,000* | 78.8 | 32,000* |
|                      | 70  | 72.1 | 32,000* | 74.0 | 32,000* | 75.7 | 29,880* |
| <b>160' (48.8 m)</b> | 80  | 69.1 | 32,000* | 71.0 | 32,000* | 72.7 | 27,770* |
|                      | 90  | 66.0 | 29,820  | 67.9 | 29,830  | 69.5 | 25,960* |
|                      | 100 | 62.9 | 25,390  | 64.7 | 25,400  | 66.3 | 24,470* |
|                      | 110 | 59.6 | 21,860  | 61.4 | 21,870  | 63.0 | 21,880  |
|                      | 120 | 56.2 | 18,960  | 58.0 | 18,970  | 59.5 | 18,980  |
|                      | 130 | 52.7 | 16,550  | 54.4 | 16,550  | 55.9 | 16,560  |
|                      | 140 | 49.0 | 14,510  | 50.7 | 14,510  | 52.1 | 14,520  |
|                      | 150 | 45.1 | 12,770  | 46.7 | 12,780  | 48.1 | 12,790  |
|                      | 160 | 40.8 | 11,260  | 42.4 | 11,270  | 43.7 | 11,280  |

**WITH 77SI HAMMERHEAD TIP BOOM AND 116,400 POUND COUNTERWEIGHT  
#16HL JIB**

108,400 lb + 8,000 lb carbody counterweight

360°

ANSI B 30.5

**40' (12.2 m) Jib length**

| Boom length                    | Jib Radius (Feet) | 5.0 Deg offset |                 | 15.0 Deg offset |                 | 25.0 Deg offset |                 |
|--------------------------------|-------------------|----------------|-----------------|-----------------|-----------------|-----------------|-----------------|
|                                |                   | Boom Angle     | Rating (Pounds) | Boom Angle      | Rating (Pounds) | Boom Angle      | Rating (Pounds) |
|                                | 34                | 83.0           | 32,000*         | -               | -               | -               | -               |
|                                | 35                | 82.7           | 32,000*         | -               | -               | -               | -               |
|                                | 40                | 81.4           | 32,000*         | -               | -               | -               | -               |
|                                | 50                | 78.6           | 32,000*         | 80.4            | 32,000*         | 82.1            | 32,000*         |
|                                | 60                | 75.8           | 32,000*         | 77.6            | 32,000*         | 79.3            | 32,000*         |
|                                | 70                | 73.0           | 32,000*         | 74.8            | 32,000*         | 76.4            | 30,360*         |
| <b>170'</b><br><b>(51.8 m)</b> | 80                | 70.2           | 32,000*         | 71.9            | 32,000*         | 73.5            | 28,290*         |
|                                | 90                | 67.2           | 29,390          | 69.0            | 29,390          | 70.6            | 26,460*         |
|                                | 100               | 64.3           | 24,970          | 66.0            | 24,980          | 67.5            | 24,990          |
|                                | 110               | 61.2           | 21,430          | 62.9            | 21,430          | 64.4            | 21,440          |
|                                | 120               | 58.0           | 18,520          | 59.7            | 18,530          | 61.2            | 18,540          |
|                                | 130               | 54.8           | 16,110          | 56.4            | 16,110          | 57.9            | 16,120          |
|                                | 140               | 51.3           | 14,070          | 53.0            | 14,080          | 54.4            | 14,090          |
|                                | 150               | 47.7           | 12,320          | 49.3            | 12,330          | 50.7            | 12,340          |
|                                | 160               | 43.9           | 10,820          | 45.5            | 10,830          | 46.7            | 10,840          |
|                                | 170               | 39.8           | 9,510           | 41.3            | 9,510           | 42.5            | 9,530           |

|                                |     |      |         |      |         |      |         |
|--------------------------------|-----|------|---------|------|---------|------|---------|
|                                | 36  | 82.8 | 32,000* | -    | -       | -    | -       |
|                                | 40  | 81.8 | 32,000* | -    | -       | -    | -       |
|                                | 50  | 79.1 | 32,000* | 80.9 | 32,000* | 82.5 | 32,000* |
|                                | 60  | 76.5 | 32,000* | 78.2 | 32,000* | 79.8 | 32,000* |
|                                | 70  | 73.8 | 32,000* | 75.5 | 32,000* | 77.1 | 30,790* |
|                                | 80  | 71.1 | 32,000* | 72.8 | 32,000* | 74.3 | 28,770* |
| <b>180'</b><br><b>(54.9 m)</b> | 90  | 68.3 | 28,960  | 70.0 | 28,960  | 71.5 | 26,980* |
|                                | 100 | 65.5 | 24,530  | 67.2 | 24,530  | 68.7 | 24,540  |
|                                | 110 | 62.6 | 20,980  | 64.3 | 20,990  | 65.7 | 21,000  |
|                                | 120 | 59.6 | 18,080  | 61.3 | 18,080  | 62.7 | 18,100  |
|                                | 130 | 56.6 | 15,660  | 58.2 | 15,670  | 59.6 | 15,680  |
|                                | 140 | 53.4 | 13,620  | 55.0 | 13,630  | 56.3 | 13,640  |
|                                | 150 | 50.1 | 11,870  | 51.6 | 11,880  | 52.9 | 11,890  |
|                                | 160 | 46.6 | 10,360  | 48.1 | 10,370  | 49.3 | 10,380  |
|                                | 170 | 42.8 | 9,040   | 44.3 | 9,050   | 45.5 | 9,060   |
|                                | 180 | 38.8 | 7,900   | 40.3 | 7,910   | 41.3 | 7,920   |

|                                |     |      |         |      |         |      |         |
|--------------------------------|-----|------|---------|------|---------|------|---------|
|                                | 37  | 82.9 | 32,000* | -    | -       | -    | -       |
|                                | 40  | 82.1 | 32,000* | -    | -       | -    | -       |
|                                | 50  | 79.6 | 32,000* | 81.3 | 32,000* | 82.8 | 32,000* |
|                                | 60  | 77.1 | 32,000* | 78.7 | 32,000* | 80.3 | 32,000* |
|                                | 70  | 74.5 | 32,000* | 76.2 | 32,000* | 77.7 | 31,170* |
|                                | 80  | 71.9 | 32,000* | 73.6 | 32,000* | 75.0 | 29,160* |
|                                | 90  | 69.3 | 28,530  | 70.9 | 28,530  | 72.4 | 27,430* |
|                                | 100 | 66.6 | 24,100  | 68.2 | 24,100  | 69.7 | 24,110  |
| <b>190'</b><br><b>(57.9 m)</b> | 110 | 63.9 | 20,550  | 65.5 | 20,550  | 66.9 | 20,570  |
|                                | 120 | 61.1 | 17,650  | 62.7 | 17,650  | 64.0 | 17,660  |
|                                | 130 | 58.2 | 15,220  | 59.8 | 15,230  | 61.1 | 15,240  |
|                                | 140 | 55.2 | 13,180  | 56.8 | 13,180  | 58.1 | 13,190  |
|                                | 150 | 52.1 | 11,430  | 53.6 | 11,440  | 54.9 | 11,450  |
|                                | 160 | 48.9 | 9,920   | 50.4 | 9,930   | 51.6 | 9,940   |
|                                | 170 | 45.5 | 8,600   | 46.9 | 8,600   | 48.1 | 8,620   |
|                                | 180 | 41.8 | 7,450   | 43.3 | 7,450   | 44.3 | 7,470   |
|                                | 190 | 37.9 | 6,420   | 39.3 | 6,430   | 40.3 | 6,450   |

| Boom length                    | Jib Radius (Feet) | 5.0 Deg offset |                 | 15.0 Deg offset |                 | 25.0 Deg offset |                 |
|--------------------------------|-------------------|----------------|-----------------|-----------------|-----------------|-----------------|-----------------|
|                                |                   | Boom Angle     | Rating (Pounds) | Boom Angle      | Rating (Pounds) | Boom Angle      | Rating (Pounds) |
|                                | 38                | 82.9           | 32,000*         | -               | -               | -               | -               |
|                                | 40                | 82.4           | 32,000*         | -               | -               | -               | -               |
|                                | 50                | 80.0           | 32,000*         | 81.6            | 32,000*         | -               | -               |
|                                | 60                | 77.6           | 32,000*         | 79.2            | 32,000*         | 80.7            | 32,000*         |
|                                | 70                | 75.2           | 32,000*         | 76.7            | 32,000*         | 78.2            | 31,700*         |
|                                | 80                | 72.7           | 32,000*         | 74.3            | 32,000*         | 75.7            | 29,610*         |
|                                | 90                | 70.2           | 28,140          | 71.7            | 28,140          | 73.2            | 27,840*         |
|                                | 100               | 67.7           | 23,710          | 69.2            | 23,710          | 70.6            | 23,720          |
| <b>200'</b><br><b>(61.0 m)</b> | 110               | 65.1           | 20,150          | 66.6            | 20,150          | 67.9            | 20,160          |
|                                | 120               | 62.4           | 17,240          | 63.9            | 17,250          | 65.2            | 17,260          |
|                                | 130               | 59.7           | 14,820          | 61.2            | 14,820          | 62.5            | 14,830          |
|                                | 140               | 56.9           | 12,780          | 58.3            | 12,780          | 59.6            | 12,800          |
|                                | 150               | 54.0           | 11,020          | 55.4            | 11,030          | 56.6            | 11,040          |
|                                | 160               | 50.9           | 9,510           | 52.4            | 9,510           | 53.6            | 9,530           |
|                                | 170               | 47.8           | 8,190           | 49.2            | 8,200           | 50.3            | 8,210           |
|                                | 180               | 44.5           | 7,030           | 45.8            | 7,030           | 46.9            | 7,050           |
|                                | 190               | 40.9           | 6,010           | 42.3            | 6,020           | 43.3            | 6,030           |
|                                | 200               | 37.1           | 5,100           | 38.4            | 5,110           | 39.3            | 5,120           |

|                                |     |      |         |      |         |      |         |
|--------------------------------|-----|------|---------|------|---------|------|---------|
|                                | 39  | 83.0 | 32,000* | -    | -       | -    | -       |
|                                | 40  | 82.7 | 32,000* | -    | -       | -    | -       |
|                                | 50  | 80.4 | 32,000* | 82.0 | 32,000* | -    | -       |
|                                | 60  | 78.1 | 32,000* | 79.6 | 32,000* | 81.1 | 32,000* |
|                                | 70  | 75.8 | 32,000* | 77.3 | 32,000* | 78.7 | 32,000* |
|                                | 80  | 73.4 | 32,000* | 74.9 | 32,000* | 76.3 | 30,050* |
|                                | 90  | 71.0 | 27,700  | 72.5 | 27,700  | 73.9 | 27,710  |
|                                | 100 | 68.6 | 23,270  | 70.1 | 23,270  | 71.4 | 23,280  |
| <b>210'</b><br><b>(64.0 m)</b> | 110 | 66.1 | 19,720  | 67.6 | 19,720  | 68.9 | 19,730  |
|                                | 120 | 63.6 | 16,810  | 65.0 | 16,810  | 66.3 | 16,820  |
|                                | 130 | 61.0 | 14,380  | 62.4 | 14,390  | 63.7 | 14,400  |
|                                | 140 | 58.4 | 12,330  | 59.8 | 12,340  | 61.0 | 12,350  |
|                                | 150 | 55.6 | 10,570  | 57.0 | 10,580  | 58.2 | 10,590  |
|                                | 160 | 52.8 | 9,060   | 54.2 | 9,060   | 55.3 | 9,080   |
|                                | 170 | 49.8 | 7,740   | 51.2 | 7,740   | 52.3 | 7,760   |
|                                | 180 | 46.8 | 6,570   | 48.1 | 6,580   | 49.2 | 6,590   |
|                                | 190 | 43.5 | 5,550   | 44.8 | 5,560   | 45.8 | 5,570   |
|                                | 200 | 40.0 | 4,640   | 41.3 | 4,650   | 42.3 | 4,660   |
|                                | 210 | 36.3 | 3,820   | 37.5 | 3,830   | 38.4 | 3,850   |

|                                |     |      |         |      |         |      |         |
|--------------------------------|-----|------|---------|------|---------|------|---------|
|                                | 41  | 82.8 | 32,000* | -    | -       | -    | -       |
|                                | 50  | 80.8 | 32,000* | 82.3 | 32,000* | -    | -       |
|                                | 60  | 78.6 | 32,000* | 80.0 | 32,000* | 81.4 | 32,000* |
|                                | 70  | 76.3 | 32,000* | 77.8 | 32,000* | 79.1 | 32,000* |
|                                | 80  | 74.1 | 32,000* | 75.5 | 32,000* | 76.8 | 30,460* |
|                                | 90  | 71.8 | 27,280  | 73.2 | 27,280  | 74.5 | 27,290  |
|                                | 100 | 69.4 | 22,830  | 70.9 | 22,840  | 72.2 | 22,850  |
|                                | 110 | 67.1 | 19,280  | 68.5 | 19,290  | 69.8 | 19,300  |
| <b>220'</b><br><b>(67.1 m)</b> | 120 | 64.7 | 16,380  | 66.1 | 16,380  | 67.3 | 16,390  |
|                                | 130 | 62.2 | 13,940  | 63.6 | 13,950  | 64.8 | 13,960  |
|                                | 140 | 59.7 | 11,890  | 61.1 | 11,890  | 62.3 | 11,900  |
|                                | 150 | 57.1 | 10,140  | 58.5 | 10,140  | 59.6 | 10,150  |
|                                | 160 | 54.4 | 8,620   | 55.8 | 8,630   | 56.9 | 8,640   |
|                                | 170 | 51.7 | 7,290   | 53.0 | 7,290   | 54.1 | 7,300   |
|                                | 180 | 48.8 | 6,130   | 50.1 | 6,130   | 51.2 | 6,150   |
|                                | 190 | 45.8 | 5,100   | 47.1 | 5,110   | 48.1 | 5,120   |
|                                | 200 | 42.6 | 4,180   | 43.9 | 4,190   | 44.8 | 4,200   |
|                                | 210 | 39.2 | 3,370   | 40.5 | 3,370   | 41.3 | 3,390   |
|                                | 220 | 35.6 | 2,650   | 36.7 | 2,660   | 37.6 | 2,670   |



**WITH 77SI HAMMERHEAD TIP BOOM AND 116,400 POUND COUNTERWEIGHT  
#16HL JIB**

108,400 lb + 8,000 lb carbody counterweight

360°

ANSI B 30.5

**50' (15.2 m) Jib length**

| Boom length          | Jib Radius (Feet) | 5.0 Deg offset |                 | 15.0 Deg offset |                 | 25.0 Deg offset |                 |
|----------------------|-------------------|----------------|-----------------|-----------------|-----------------|-----------------|-----------------|
|                      |                   | Boom Angle     | Rating (Pounds) | Boom Angle      | Rating (Pounds) | Boom Angle      | Rating (Pounds) |
|                      | 32                | 82.7           | 32,000*         | -               | -               | -               | -               |
|                      | 35                | 81.8           | 32,000*         | -               | -               | -               | -               |
|                      | 40                | 80.2           | 32,000*         | 82.8            | 29,150*         | -               | -               |
|                      | 50                | 77.0           | 30,830*         | 79.6            | 28,270*         | 82.1            | 26,350*         |
| <b>130' (39.6 m)</b> | 60                | 73.7           | 29,600*         | 76.3            | 27,480*         | 78.8            | 25,720*         |
|                      | 70                | 70.4           | 28,670*         | 73.0            | 26,620*         | 75.4            | 23,990*         |
|                      | 80                | 67.0           | 27,710*         | 69.5            | 26,010*         | 71.9            | 22,090*         |
|                      | 90                | 63.5           | 26,850*         | 66.0            | 25,290*         | 68.3            | 20,610*         |
|                      | 100               | 59.8           | 26,090*         | 62.3            | 23,680*         | 64.6            | 19,300*         |
|                      | 110               | 56.1           | 23,410          | 58.5            | 22,060*         | 60.7            | 18,180*         |
|                      | 120               | 52.1           | 20,520          | 54.6            | 20,520          | 56.7            | 17,250*         |
|                      | 130               | 47.9           | 18,110          | 50.3            | 18,120          | 52.3            | 16,520*         |

|                      |     |      |         |      |         |      |         |
|----------------------|-----|------|---------|------|---------|------|---------|
|                      | 33  | 82.8 | 32,000* | -    | -       | -    | -       |
|                      | 35  | 82.2 | 32,000* | -    | -       | -    | -       |
|                      | 40  | 80.7 | 32,000* | -    | -       | -    | -       |
|                      | 50  | 77.7 | 30,900* | 80.2 | 28,370* | 82.5 | 26,340* |
|                      | 60  | 74.6 | 29,910* | 77.1 | 27,590* | 79.4 | 25,730* |
|                      | 70  | 71.4 | 28,870* | 73.9 | 26,840* | 76.2 | 24,370* |
| <b>140' (42.7 m)</b> | 80  | 68.2 | 27,940* | 70.7 | 26,150* | 72.9 | 22,550* |
|                      | 90  | 65.0 | 27,180* | 67.4 | 25,490* | 69.6 | 21,090* |
|                      | 100 | 61.6 | 26,330* | 64.0 | 24,400* | 66.1 | 19,780* |
|                      | 110 | 58.1 | 22,980  | 60.4 | 22,810* | 62.5 | 18,700* |
|                      | 120 | 54.4 | 20,080  | 56.8 | 20,090  | 58.8 | 17,730* |
|                      | 130 | 50.6 | 17,670  | 52.9 | 17,670  | 54.9 | 16,910* |
|                      | 140 | 46.6 | 15,640  | 48.8 | 15,650  | 50.7 | 15,660  |

|                      |     |      |         |      |         |      |         |
|----------------------|-----|------|---------|------|---------|------|---------|
|                      | 34  | 82.9 | 32,000* | -    | -       | -    | -       |
|                      | 35  | 82.6 | 32,000* | -    | -       | -    | -       |
|                      | 40  | 81.2 | 32,000* | -    | -       | -    | -       |
|                      | 50  | 78.3 | 31,150* | 80.7 | 28,380* | 82.9 | 26,290* |
|                      | 60  | 75.4 | 30,070* | 77.7 | 27,630* | 79.9 | 25,700* |
|                      | 70  | 72.4 | 29,090* | 74.7 | 26,860* | 76.9 | 24,840* |
| <b>150' (45.7 m)</b> | 80  | 69.4 | 28,250* | 71.7 | 26,310* | 73.8 | 23,000* |
|                      | 90  | 66.3 | 27,440* | 68.6 | 25,640* | 70.7 | 21,460* |
|                      | 100 | 63.1 | 26,110  | 65.4 | 25,080* | 67.5 | 20,230* |
|                      | 110 | 59.9 | 22,580  | 62.1 | 22,590  | 64.1 | 19,050* |
|                      | 120 | 56.5 | 19,680  | 58.7 | 19,690  | 60.7 | 18,080* |
|                      | 130 | 52.9 | 17,270  | 55.1 | 17,270  | 57.0 | 17,290  |
|                      | 140 | 49.2 | 15,240  | 51.4 | 15,240  | 53.2 | 15,260  |
|                      | 150 | 45.3 | 13,490  | 47.4 | 13,500  | 49.1 | 13,510  |

|                      |     |      |         |      |         |      |         |
|----------------------|-----|------|---------|------|---------|------|---------|
|                      | 35  | 83.0 | 32,000* | -    | -       | -    | -       |
|                      | 40  | 81.6 | 32,000* | -    | -       | -    | -       |
|                      | 50  | 78.8 | 31,260* | 81.1 | 28,390* | -    | -       |
|                      | 60  | 76.1 | 30,270* | 78.3 | 27,640* | 80.4 | 25,770* |
|                      | 70  | 73.3 | 29,280* | 75.5 | 26,960* | 77.6 | 25,200* |
|                      | 80  | 70.4 | 28,410* | 72.6 | 26,360* | 74.7 | 23,360* |
| <b>160' (48.8 m)</b> | 90  | 67.5 | 27,590* | 69.7 | 25,740* | 71.7 | 21,860* |
|                      | 100 | 64.5 | 25,670  | 66.7 | 25,230* | 68.6 | 20,580* |
|                      | 110 | 61.4 | 22,140  | 63.6 | 22,140  | 65.5 | 19,500* |
|                      | 120 | 58.3 | 19,230  | 60.4 | 19,240  | 62.3 | 18,540* |
|                      | 130 | 55.0 | 16,820  | 57.1 | 16,820  | 58.9 | 16,840  |
|                      | 140 | 51.6 | 14,770  | 53.6 | 14,780  | 55.4 | 14,790  |
|                      | 150 | 48.0 | 13,030  | 50.0 | 13,040  | 51.7 | 13,060  |
|                      | 160 | 44.1 | 11,530  | 46.1 | 11,540  | 47.7 | 11,560  |

| Boom length          | Jib Radius (Feet) | 5.0 Deg offset |                 | 15.0 Deg offset |                 | 25.0 Deg offset |                 |
|----------------------|-------------------|----------------|-----------------|-----------------|-----------------|-----------------|-----------------|
|                      |                   | Boom Angle     | Rating (Pounds) | Boom Angle      | Rating (Pounds) | Boom Angle      | Rating (Pounds) |
|                      | 37                | 82.8           | 32,000*         | -               | -               | -               | -               |
|                      | 40                | 82.0           | 32,000*         | -               | -               | -               | -               |
|                      | 50                | 79.4           | 31,370*         | 81.5            | 28,420*         | -               | -               |
|                      | 60                | 76.7           | 30,340*         | 78.9            | 27,770*         | 80.9            | 25,780*         |
|                      | 70                | 74.0           | 29,470*         | 76.2            | 27,070*         | 78.2            | 25,250*         |
|                      | 80                | 71.3           | 28,560*         | 73.4            | 26,440*         | 75.4            | 23,770*         |
| <b>170' (51.8 m)</b> | 90                | 68.5           | 27,780*         | 70.7            | 25,950*         | 72.6            | 22,250*         |
|                      | 100               | 65.7           | 25,240          | 67.8            | 25,240          | 69.7            | 20,960*         |
|                      | 110               | 62.8           | 21,690          | 64.9            | 21,700          | 66.8            | 19,890*         |
|                      | 120               | 59.9           | 18,800          | 61.9            | 18,810          | 63.7            | 18,820          |
|                      | 130               | 56.8           | 16,380          | 58.8            | 16,390          | 60.6            | 16,400          |
|                      | 140               | 53.6           | 14,330          | 55.6            | 14,340          | 57.3            | 14,350          |
|                      | 150               | 50.3           | 12,590          | 52.3            | 12,600          | 53.9            | 12,610          |
|                      | 160               | 46.8           | 11,090          | 48.7            | 11,090          | 50.3            | 11,110          |
|                      | 170               | 43.1           | 9,760           | 44.9            | 9,770           | 46.4            | 9,790           |

|                      |     |      |         |      |         |      |         |
|----------------------|-----|------|---------|------|---------|------|---------|
|                      | 38  | 82.8 | 32,000* | -    | -       | -    | -       |
|                      | 40  | 82.3 | 32,000* | -    | -       | -    | -       |
|                      | 50  | 79.8 | 31,400* | 81.9 | 28,460* | -    | -       |
|                      | 60  | 77.3 | 30,400* | 79.4 | 27,770* | 81.3 | 25,760* |
|                      | 70  | 74.7 | 29,540* | 76.8 | 27,180* | 78.7 | 25,300* |
|                      | 80  | 72.2 | 28,800* | 74.2 | 26,610* | 76.1 | 24,140* |
| <b>180' (54.9 m)</b> | 90  | 69.5 | 28,050* | 71.5 | 26,030* | 73.4 | 22,600* |
|                      | 100 | 66.8 | 24,800  | 68.8 | 24,800  | 70.7 | 21,330* |
|                      | 110 | 64.1 | 21,250  | 66.1 | 21,260  | 67.9 | 20,270* |
|                      | 120 | 61.3 | 18,350  | 63.3 | 18,350  | 65.0 | 18,360  |
|                      | 130 | 58.4 | 15,920  | 60.4 | 15,930  | 62.1 | 15,940  |
|                      | 140 | 55.4 | 13,890  | 57.4 | 13,890  | 59.0 | 13,910  |
|                      | 150 | 52.3 | 12,130  | 54.2 | 12,140  | 55.8 | 12,150  |
|                      | 160 | 49.1 | 10,620  | 51.0 | 10,630  | 52.5 | 10,640  |
|                      | 170 | 45.7 | 9,310   | 47.5 | 9,310   | 49.0 | 9,330   |
|                      | 180 | 42.1 | 8,160   | 43.8 | 8,160   | 45.2 | 8,180   |

|                      |     |      |         |      |         |      |         |
|----------------------|-----|------|---------|------|---------|------|---------|
|                      | 39  | 82.9 | 32,000* | -    | -       | -    | -       |
|                      | 40  | 82.6 | 32,000* | -    | -       | -    | -       |
|                      | 50  | 80.2 | 31,400* | 82.2 | 28,430* | -    | -       |
|                      | 60  | 77.8 | 30,600* | 79.8 | 27,810* | 81.7 | 25,690* |
|                      | 70  | 75.4 | 29,700* | 77.4 | 27,180* | 79.2 | 25,250* |
|                      | 80  | 72.9 | 28,930* | 74.9 | 26,670* | 76.7 | 24,500* |
|                      | 90  | 70.4 | 28,210* | 72.3 | 26,110* | 74.1 | 23,030* |
|                      | 100 | 67.9 | 24,370  | 69.8 | 24,370  | 71.5 | 21,680* |
| <b>190' (57.9 m)</b> | 110 | 65.3 | 20,820  | 67.2 | 20,820  | 68.9 | 20,600* |
|                      | 120 | 62.6 | 17,910  | 64.5 | 17,920  | 66.2 | 17,930  |
|                      | 130 | 59.9 | 15,490  | 61.8 | 15,500  | 63.4 | 15,510  |
|                      | 140 | 57.1 | 13,440  | 58.9 | 13,450  | 60.5 | 13,460  |
|                      | 150 | 54.2 | 11,690  | 56.0 | 11,700  | 57.6 | 11,710  |
|                      | 160 | 51.1 | 10,170  | 53.0 | 10,180  | 54.5 | 10,190  |
|                      | 170 | 48.0 | 8,850   | 49.8 | 8,860   | 51.2 | 8,870   |
|                      | 180 | 44.7 | 7,700   | 46.4 | 7,700   | 47.8 | 7,720   |
|                      | 190 | 41.1 | 6,680   | 42.8 | 6,690   | 44.1 | 6,710   |



**WITH 77SI HAMMERHEAD TIP BOOM AND 116,400 POUND COUNTERWEIGHT  
#16HL JIB**

108,400 lb + 8,000 lb carbody counterweight

360°

ANSI B 30.5

**50' (15.2 m) Jib length**

| Boom length          | Jib Radius (Feet) | 5.0 Deg offset |                 | 15.0 Deg offset |                 | 25.0 Deg offset |                 |
|----------------------|-------------------|----------------|-----------------|-----------------|-----------------|-----------------|-----------------|
|                      |                   | Boom Angle     | Rating (Pounds) | Boom Angle      | Rating (Pounds) | Boom Angle      | Rating (Pounds) |
|                      | 40                | 82.9           | 32,000*         | -               | -               | -               | -               |
|                      | 50                | 80.6           | 31,470*         | 82.6            | 28,410*         | -               | -               |
|                      | 60                | 78.3           | 30,630*         | 80.2            | 27,840*         | 82.0            | 25,690*         |
|                      | 70                | 76.0           | 29,840*         | 77.9            | 27,180*         | 79.6            | 25,260*         |
|                      | 80                | 73.6           | 29,060*         | 75.5            | 26,630*         | 77.2            | 24,750*         |
|                      | 90                | 71.2           | 28,370*         | 73.1            | 26,200*         | 74.8            | 23,280*         |
|                      | 100               | 68.8           | 23,970          | 70.6            | 23,970          | 72.3            | 22,010*         |
|                      | 110               | 66.3           | 20,410          | 68.1            | 20,410          | 69.8            | 20,420          |
| <b>200' (61.0 m)</b> | 120               | 63.8           | 17,500          | 65.6            | 17,510          | 67.2            | 17,520          |
|                      | 130               | 61.2           | 15,070          | 63.0            | 15,080          | 64.6            | 15,090          |
|                      | 140               | 58.5           | 13,030          | 60.3            | 13,040          | 61.9            | 13,050          |
|                      | 150               | 55.8           | 11,270          | 57.6            | 11,280          | 59.1            | 11,290          |
|                      | 160               | 53.0           | 9,760           | 54.7            | 9,770           | 56.2            | 9,780           |
|                      | 170               | 50.0           | 8,440           | 51.8            | 8,440           | 53.2            | 8,460           |
|                      | 180               | 47.0           | 7,280           | 48.7            | 7,290           | 50.0            | 7,300           |
|                      | 190               | 43.7           | 6,260           | 45.4            | 6,270           | 46.7            | 6,280           |
|                      | 200               | 40.2           | 5,340           | 41.9            | 5,350           | 43.1            | 5,370           |

| Boom length          | Jib Radius (Feet) | 5.0 Deg offset |                 | 15.0 Deg offset |                 | 25.0 Deg offset |                 |
|----------------------|-------------------|----------------|-----------------|-----------------|-----------------|-----------------|-----------------|
|                      |                   | Boom Angle     | Rating (Pounds) | Boom Angle      | Rating (Pounds) | Boom Angle      | Rating (Pounds) |
|                      | 43                | 82.8           | 31,930*         | -               | -               | -               | -               |
|                      | 50                | 81.3           | 31,440*         | -               | -               | -               | -               |
|                      | 60                | 79.2           | 30,650*         | 81.0            | 27,690*         | 82.6            | 25,540*         |
|                      | 70                | 77.0           | 29,940*         | 78.8            | 27,190*         | 80.4            | 25,170*         |
|                      | 80                | 74.9           | 29,220*         | 76.6            | 26,760*         | 78.2            | 24,830*         |
|                      | 90                | 72.7           | 27,540          | 74.4            | 26,200*         | 76.0            | 23,890*         |
|                      | 100               | 70.4           | 23,100          | 72.1            | 23,100          | 73.7            | 22,600*         |
|                      | 110               | 68.2           | 19,530          | 69.9            | 19,540          | 71.4            | 19,550          |
| <b>220' (67.1 m)</b> | 120               | 65.9           | 16,620          | 67.6            | 16,630          | 69.1            | 16,640          |
|                      | 130               | 63.5           | 14,200          | 65.2            | 14,200          | 66.7            | 14,220          |
|                      | 140               | 61.1           | 12,140          | 62.8            | 12,150          | 64.3            | 12,160          |
|                      | 150               | 58.7           | 10,380          | 60.3            | 10,390          | 61.8            | 10,400          |
|                      | 160               | 56.1           | 8,860           | 57.8            | 8,870           | 59.2            | 8,880           |
|                      | 170               | 53.5           | 7,540           | 55.1            | 7,540           | 56.5            | 7,560           |
|                      | 180               | 50.8           | 6,370           | 52.4            | 6,380           | 53.8            | 6,400           |
|                      | 190               | 48.0           | 5,350           | 49.6            | 5,350           | 50.9            | 5,370           |
|                      | 200               | 45.1           | 4,430           | 46.6            | 4,440           | 47.8            | 4,460           |
|                      | 210               | 42.0           | 3,610           | 43.5            | 3,620           | 44.6            | 3,640           |
| 220                  | 38.6              | 2,880          | 40.1            | 2,890           | 41.2            | 2,910           |                 |

|                      |     |      |         |      |         |      |         |
|----------------------|-----|------|---------|------|---------|------|---------|
|                      | 41  | 83.0 | 32,000* | -    | -       | -    | -       |
|                      | 50  | 81.0 | 31,480* | 82.8 | 28,380* | -    | -       |
|                      | 60  | 78.8 | 30,580* | 80.6 | 27,770* | 82.3 | 25,540* |
|                      | 70  | 76.5 | 29,810* | 78.3 | 27,180* | 80.1 | 25,220* |
|                      | 80  | 74.3 | 29,100* | 76.1 | 26,680* | 77.8 | 24,820* |
|                      | 90  | 72.0 | 27,960  | 73.8 | 26,250* | 75.4 | 23,600* |
|                      | 100 | 69.6 | 23,530  | 71.4 | 23,530  | 73.1 | 22,340* |
|                      | 110 | 67.3 | 19,970  | 69.0 | 19,980  | 70.7 | 19,990  |
| <b>210' (64.0 m)</b> | 120 | 64.9 | 17,060  | 66.6 | 17,060  | 68.2 | 17,080  |
|                      | 130 | 62.4 | 14,630  | 64.1 | 14,640  | 65.7 | 14,650  |
|                      | 140 | 59.9 | 12,590  | 61.6 | 12,590  | 63.1 | 12,610  |
|                      | 150 | 57.3 | 10,830  | 59.0 | 10,830  | 60.5 | 10,850  |
|                      | 160 | 54.6 | 9,310   | 56.3 | 9,320   | 57.8 | 9,330   |
|                      | 170 | 51.9 | 7,990   | 53.5 | 7,990   | 54.9 | 8,010   |
|                      | 180 | 49.0 | 6,830   | 50.6 | 6,830   | 52.0 | 6,850   |
|                      | 190 | 46.0 | 5,790   | 47.6 | 5,800   | 48.9 | 5,810   |
|                      | 200 | 42.8 | 4,880   | 44.4 | 4,890   | 45.6 | 4,910   |
|                      | 210 | 39.4 | 4,070   | 41.0 | 4,070   | 42.1 | 4,090   |

**60' (18.3 m) Jib length**

| Boom length          | Jib Radius (Feet) | 5.0 Deg offset |                 | 15.0 Deg offset |                 | 25.0 Deg offset |                 |
|----------------------|-------------------|----------------|-----------------|-----------------|-----------------|-----------------|-----------------|
|                      |                   | Boom Angle     | Rating (Pounds) | Boom Angle      | Rating (Pounds) | Boom Angle      | Rating (Pounds) |
|                      | 36                | 82.9           | 29,880*         | -               | -               | -               | -               |
|                      | 40                | 81.8           | 29,420*         | -               | -               | -               | -               |
|                      | 50                | 79.1           | 28,200*         | 81.8            | 25,510*         | -               | -               |
|                      | 60                | 76.3           | 27,270*         | 79.0            | 24,810*         | 81.6            | 22,830*         |
|                      | 70                | 73.5           | 26,260*         | 76.2            | 24,010*         | 78.7            | 21,680*         |
|                      | 80                | 70.6           | 25,410*         | 73.3            | 23,400*         | 75.8            | 20,150*         |
| <b>150' (45.7 m)</b> | 90                | 67.7           | 24,590*         | 70.4            | 22,830*         | 72.8            | 18,770*         |
|                      | 100               | 64.7           | 23,830*         | 67.4            | 21,900*         | 69.8            | 17,590*         |
|                      | 110               | 61.7           | 22,830          | 64.3            | 20,430*         | 66.6            | 16,600*         |
|                      | 120               | 58.5           | 19,930          | 61.1            | 19,150*         | 63.4            | 15,730*         |
|                      | 130               | 55.2           | 17,520          | 57.8            | 17,520          | 60.0            | 15,020*         |
|                      | 140               | 51.8           | 15,470          | 54.3            | 15,480          | 56.5            | 14,350*         |
|                      | 150               | 48.2           | 13,740          | 50.7            | 13,740          | 52.8            | 13,760          |

| Boom length          | Jib Radius (Feet) | 5.0 Deg offset |                 | 15.0 Deg offset |                 | 25.0 Deg offset |                 |
|----------------------|-------------------|----------------|-----------------|-----------------|-----------------|-----------------|-----------------|
|                      |                   | Boom Angle     | Rating (Pounds) | Boom Angle      | Rating (Pounds) | Boom Angle      | Rating (Pounds) |
|                      | 37                | 83.0           | 29,680*         | -               | -               | -               | -               |
|                      | 40                | 82.2           | 29,340*         | -               | -               | -               | -               |
|                      | 50                | 79.6           | 28,330*         | 82.2            | 25,530*         | -               | -               |
|                      | 60                | 76.9           | 27,340*         | 79.5            | 24,790*         | 82.0            | 22,830*         |
|                      | 70                | 74.3           | 26,490*         | 76.8            | 24,170*         | 79.3            | 21,980*         |
|                      | 80                | 71.5           | 25,550*         | 74.1            | 23,460*         | 76.5            | 20,440*         |
| <b>160' (48.8 m)</b> | 90                | 68.8           | 24,830*         | 71.3            | 22,930*         | 73.7            | 19,080*         |
|                      | 100               | 65.9           | 24,100*         | 68.5            | 22,370*         | 70.8            | 17,960*         |
|                      | 110               | 63.1           | 22,380          | 65.6            | 21,000*         | 67.8            | 16,910*         |
|                      | 120               | 60.1           | 19,480          | 62.6            | 19,490          | 64.8            | 16,060*         |
|                      | 130               | 57.0           | 17,070          | 59.5            | 17,080          | 61.6            | 15,300*         |
|                      | 140               | 53.8           | 15,020          | 56.3            | 15,030          | 58.4            | 14,600*         |
|                      | 150               | 50.5           | 13,280          | 52.9            | 13,290          | 54.9            | 13,310          |
|                      | 160               | 47.0           | 11,780          | 49.3            | 11,780          | 51.3            | 11,800          |



**WITH 77SI HAMMERHEAD TIP BOOM AND 116,400 POUND COUNTERWEIGHT  
#16HL JIB**

108,400 lb + 8,000 lb carbody counterweight

360°

ANSI B 30.5

**60' (18.3 m) Jib length**

| Boom length          | Jib Radius (Feet) | 5.0 Deg offset |                 | 15.0 Deg offset |                 | 25.0 Deg offset |                 |
|----------------------|-------------------|----------------|-----------------|-----------------|-----------------|-----------------|-----------------|
|                      |                   | Boom Angle     | Rating (Pounds) | Boom Angle      | Rating (Pounds) | Boom Angle      | Rating (Pounds) |
|                      | 39                | 82.8           | 29,550*         | -               | -               | -               | -               |
|                      | 40                | 82.5           | 29,420*         | -               | -               | -               | -               |
|                      | 50                | 80.0           | 28,470*         | 82.5            | 25,510*         | -               | -               |
|                      | 60                | 77.5           | 27,490*         | 80.0            | 24,890*         | 82.3            | 22,760*         |
|                      | 70                | 75.0           | 26,600*         | 77.4            | 24,230*         | 79.7            | 22,280*         |
|                      | 80                | 72.4           | 25,710*         | 74.8            | 23,620*         | 77.1            | 20,740*         |
| <b>170' (51.8 m)</b> | 90                | 69.7           | 24,950*         | 72.2            | 23,000*         | 74.4            | 19,370*         |
|                      | 100               | 67.1           | 24,260*         | 69.5            | 22,450*         | 71.7            | 18,210*         |
|                      | 110               | 64.3           | 21,950          | 66.7            | 21,540*         | 68.9            | 17,260*         |
|                      | 120               | 61.5           | 19,950          | 63.9            | 19,050          | 66.0            | 16,350*         |
|                      | 130               | 58.6           | 16,620          | 61.0            | 16,630          | 63.1            | 15,610*         |
|                      | 140               | 55.6           | 14,590          | 58.0            | 14,590          | 60.0            | 14,610          |
|                      | 150               | 52.5           | 12,830          | 54.8            | 12,840          | 56.8            | 12,860          |
|                      | 160               | 49.3           | 11,320          | 51.6            | 11,330          | 53.5            | 11,350          |
|                      | 170               | 45.9           | 10,010          | 48.1            | 10,010          | 50.0            | 10,030          |

|                      |     |      |         |      |         |      |         |
|----------------------|-----|------|---------|------|---------|------|---------|
|                      | 40  | 82.8 | 29,390* | -    | -       | -    | -       |
|                      | 50  | 80.5 | 28,490* | 82.8 | 25,460* | -    | -       |
|                      | 60  | 78.0 | 27,500* | 80.4 | 24,870* | 82.7 | 22,780* |
|                      | 70  | 75.6 | 26,720* | 78.0 | 24,200* | 80.2 | 22,270* |
|                      | 80  | 73.1 | 25,890* | 75.5 | 23,680* | 77.7 | 20,950* |
|                      | 90  | 70.6 | 25,140* | 72.9 | 23,110* | 75.1 | 19,680* |
| <b>180' (54.9 m)</b> | 100 | 68.1 | 24,420* | 70.4 | 22,610* | 72.5 | 18,550* |
|                      | 110 | 65.5 | 21,500  | 67.8 | 21,500  | 69.9 | 17,550* |
|                      | 120 | 62.8 | 18,590  | 65.1 | 18,600  | 67.1 | 16,680* |
|                      | 130 | 60.1 | 16,170  | 62.3 | 16,180  | 64.4 | 15,900* |
|                      | 140 | 57.3 | 14,130  | 59.5 | 14,140  | 61.5 | 14,150  |
|                      | 150 | 54.4 | 12,370  | 56.6 | 12,380  | 58.5 | 12,400  |
|                      | 160 | 51.4 | 10,860  | 53.5 | 10,870  | 55.4 | 10,880  |
|                      | 170 | 48.2 | 9,540   | 50.3 | 9,550   | 52.1 | 9,570   |
|                      | 180 | 44.9 | 8,390   | 47.0 | 8,400   | 48.7 | 8,410   |

|                      |     |      |         |      |         |      |         |
|----------------------|-----|------|---------|------|---------|------|---------|
|                      | 41  | 82.9 | 29,340* | -    | -       | -    | -       |
|                      | 50  | 80.8 | 28,440* | -    | -       | -    | -       |
|                      | 60  | 78.5 | 27,630* | 80.8 | 24,900* | 83.0 | 22,650* |
|                      | 70  | 76.2 | 26,830* | 78.5 | 24,270* | 80.6 | 22,300* |
|                      | 80  | 73.8 | 26,070* | 76.1 | 23,740* | 78.2 | 21,250* |
|                      | 90  | 71.4 | 25,330* | 73.7 | 23,150* | 75.7 | 19,930* |
| <b>190' (57.9 m)</b> | 100 | 69.0 | 24,620  | 71.2 | 22,660* | 73.3 | 18,790* |
|                      | 110 | 66.5 | 21,060  | 68.7 | 21,060  | 70.7 | 17,770* |
|                      | 120 | 64.0 | 18,150  | 66.2 | 18,160  | 68.2 | 16,920* |
|                      | 130 | 61.4 | 15,730  | 63.6 | 15,740  | 65.5 | 15,760  |
|                      | 140 | 58.7 | 13,680  | 60.9 | 13,690  | 62.8 | 13,710  |
|                      | 150 | 56.0 | 11,920  | 58.1 | 11,930  | 60.0 | 11,950  |
|                      | 160 | 53.2 | 10,410  | 55.3 | 10,420  | 57.1 | 10,430  |
|                      | 170 | 50.2 | 9,100   | 52.3 | 9,110   | 54.1 | 9,120   |
|                      | 180 | 47.1 | 7,930   | 49.2 | 7,940   | 50.9 | 7,960   |
|                      | 190 | 43.9 | 6,910   | 45.9 | 6,920   | 47.5 | 6,940   |

| Boom length          | Jib Radius (Feet) | 5.0 Deg offset |                 | 15.0 Deg offset |                 | 25.0 Deg offset |                 |
|----------------------|-------------------|----------------|-----------------|-----------------|-----------------|-----------------|-----------------|
|                      |                   | Boom Angle     | Rating (Pounds) | Boom Angle      | Rating (Pounds) | Boom Angle      | Rating (Pounds) |
|                      | 42                | 83.0           | 29,200*         | -               | -               | -               | -               |
|                      | 50                | 81.2           | 28,520*         | -               | -               | -               | -               |
|                      | 60                | 79.0           | 27,660*         | 81.2            | 24,800*         | -               | -               |
|                      | 70                | 76.7           | 26,840*         | 78.9            | 24,240*         | 81.0            | 22,240*         |
|                      | 80                | 74.4           | 26,140*         | 76.6            | 23,710*         | 78.7            | 21,460*         |
|                      | 90                | 72.2           | 25,420*         | 74.3            | 23,200*         | 76.3            | 20,160*         |
|                      | 100               | 69.8           | 24,210          | 72.0            | 22,720*         | 74.0            | 19,010*         |
|                      | 110               | 67.5           | 20,650          | 69.6            | 20,660          | 71.5            | 18,020*         |
| <b>200' (61.0 m)</b> | 120               | 65.1           | 17,750          | 67.2            | 17,750          | 69.1            | 17,170*         |
|                      | 130               | 62.6           | 15,320          | 64.7            | 15,330          | 66.6            | 15,340          |
|                      | 140               | 60.1           | 13,270          | 62.2            | 13,280          | 64.0            | 13,290          |
|                      | 150               | 57.5           | 11,520          | 59.6            | 11,530          | 61.4            | 11,540          |
|                      | 160               | 54.8           | 10,000          | 56.9            | 10,010          | 58.6            | 10,020          |
|                      | 170               | 52.1           | 8,680           | 54.1            | 8,680           | 55.8            | 8,700           |
|                      | 180               | 49.2           | 7,520           | 51.2            | 7,530           | 52.8            | 7,540           |
|                      | 190               | 46.2           | 6,480           | 48.1            | 6,490           | 49.7            | 6,510           |
|                      | 200               | 43.0           | 5,570           | 44.9            | 5,580           | 46.4            | 5,600           |

|                      |     |      |         |      |         |      |         |
|----------------------|-----|------|---------|------|---------|------|---------|
|                      | 44  | 82.8 | 28,980* | -    | -       | -    | -       |
|                      | 50  | 81.5 | 28,460* | -    | -       | -    | -       |
|                      | 60  | 79.4 | 27,680* | 81.5 | 24,860* | -    | -       |
|                      | 70  | 77.2 | 26,940* | 79.3 | 24,250* | 81.3 | 22,180* |
|                      | 80  | 75.0 | 26,190* | 77.1 | 23,760* | 79.1 | 21,670* |
|                      | 90  | 72.8 | 25,480* | 74.9 | 23,320* | 76.9 | 20,370* |
|                      | 100 | 70.6 | 23,770  | 72.7 | 22,760* | 74.6 | 19,280* |
|                      | 110 | 68.3 | 20,210  | 70.4 | 20,220  | 72.3 | 18,300* |
| <b>210' (64.0 m)</b> | 120 | 66.0 | 17,300  | 68.1 | 17,310  | 69.9 | 17,330  |
|                      | 130 | 63.7 | 14,880  | 65.7 | 14,890  | 67.5 | 14,900  |
|                      | 140 | 61.3 | 12,820  | 63.3 | 12,830  | 65.1 | 12,850  |
|                      | 150 | 58.8 | 11,060  | 60.8 | 11,070  | 62.6 | 11,080  |
|                      | 160 | 56.3 | 9,540   | 58.3 | 9,550   | 60.0 | 9,570   |
|                      | 170 | 53.7 | 8,220   | 55.7 | 8,230   | 57.3 | 8,240   |
|                      | 180 | 51.0 | 7,050   | 52.9 | 7,060   | 54.6 | 7,080   |
|                      | 190 | 48.2 | 6,030   | 50.1 | 6,030   | 51.7 | 6,050   |
|                      | 200 | 45.2 | 5,110   | 47.1 | 5,120   | 48.6 | 5,140   |
|                      | 210 | 42.1 | 4,290   | 44.0 | 4,300   | 45.4 | 4,320   |

|                      |     |      |         |      |         |      |         |
|----------------------|-----|------|---------|------|---------|------|---------|
|                      | 45  | 82.8 | 28,830* | -    | -       | -    | -       |
|                      | 50  | 81.8 | 28,440* | -    | -       | -    | -       |
|                      | 60  | 79.8 | 27,700* | 81.8 | 24,750* | -    | -       |
|                      | 70  | 77.7 | 26,930* | 79.7 | 24,220* | 81.6 | 22,110* |
|                      | 80  | 75.6 | 26,240* | 77.6 | 23,770* | 79.5 | 21,790* |
|                      | 90  | 73.5 | 25,640* | 75.5 | 23,340* | 77.4 | 20,620* |
|                      | 100 | 71.3 | 23,340  | 73.3 | 22,800* | 75.2 | 19,460* |
|                      | 110 | 69.1 | 19,780  | 71.1 | 19,790  | 73.0 | 18,550* |
| <b>220' (67.1 m)</b> | 120 | 66.9 | 16,860  | 68.9 | 16,870  | 70.7 | 16,880  |
|                      | 130 | 64.7 | 14,440  | 66.7 | 14,440  | 68.4 | 14,460  |
|                      | 140 | 62.4 | 12,380  | 64.4 | 12,390  | 66.1 | 12,400  |
|                      | 150 | 60.1 | 10,630  | 62.0 | 10,630  | 63.7 | 10,650  |
|                      | 160 | 57.7 | 9,110   | 59.6 | 9,110   | 61.3 | 9,130   |
|                      | 170 | 55.2 | 7,780   | 57.1 | 7,790   | 58.7 | 7,800   |
|                      | 180 | 52.7 | 6,600   | 54.5 | 6,610   | 56.1 | 6,630   |
|                      | 190 | 50.0 | 5,570   | 51.9 | 5,580   | 53.4 | 5,600   |
|                      | 200 | 47.3 | 4,660   | 49.1 | 4,660   | 50.6 | 4,680   |
|                      | 210 | 44.4 | 3,840   | 46.2 | 3,850   | 47.6 | 3,870   |
|                      | 220 | 41.3 | 3,110   | 43.1 | 3,120   | 44.4 | 3,140   |

**WITH 77SI HAMMERHEAD TIP BOOM AND 116,400 POUND COUNTERWEIGHT  
#16HL JIB**

108,400 lb + 8,000 lb carbody counterweight

360°

ANSI B 30.5

**70' (21.3 m) Jib length**

| Boom length          | Jib Radius (Feet) | 5.0 Deg offset |                 | 15.0 Deg offset |                 | 25.0 Deg offset |                 |
|----------------------|-------------------|----------------|-----------------|-----------------|-----------------|-----------------|-----------------|
|                      |                   | Boom Angle     | Rating (Pounds) | Boom Angle      | Rating (Pounds) | Boom Angle      | Rating (Pounds) |
|                      | 42                | 82.9           | 22,100*         | -               | -               | -               | -               |
|                      | 50                | 81.0           | 21,480*         | -               | -               | -               | -               |
|                      | 60                | 78.7           | 20,700*         | 81.4            | 18,390*         | -               | -               |
|                      | 70                | 76.4           | 19,940*         | 79.0            | 17,870*         | 81.6            | 16,230*         |
|                      | 80                | 74.0           | 19,280*         | 76.7            | 17,350*         | 79.2            | 15,900*         |
|                      | 90                | 71.6           | 18,640*         | 74.2            | 16,860*         | 76.7            | 15,440*         |
| <b>180' (54.9 m)</b> | 100               | 69.2           | 18,040*         | 71.8            | 16,440*         | 74.2            | 15,020*         |
|                      | 110               | 66.7           | 17,450*         | 69.3            | 15,970*         | 71.7            | 14,620*         |
|                      | 120               | 64.2           | 16,970*         | 66.8            | 15,470*         | 69.1            | 14,280*         |
|                      | 130               | 61.6           | 16,370          | 64.1            | 15,050*         | 66.5            | 13,780*         |
|                      | 140               | 58.9           | 14,330          | 61.5            | 14,340          | 63.7            | 13,200*         |
|                      | 150               | 56.2           | 12,570          | 58.7            | 12,580          | 60.9            | 12,600          |
|                      | 160               | 53.4           | 11,060          | 55.9            | 11,070          | 58.0            | 11,090          |
|                      | 170               | 50.4           | 9,750           | 52.9            | 9,760           | 55.0            | 9,780           |
|                      | 180               | 47.3           | 8,580           | 49.8            | 8,590           | 51.8            | 8,610           |

|                      |     |      |         |      |         |      |         |
|----------------------|-----|------|---------|------|---------|------|---------|
|                      | 43  | 82.9 | 22,030* | -    | -       | -    | -       |
|                      | 50  | 81.4 | 21,540* | -    | -       | -    | -       |
|                      | 60  | 79.2 | 20,720* | 81.7 | 18,410* | -    | -       |
|                      | 70  | 76.9 | 20,070* | 79.5 | 17,940* | 81.9 | 16,200* |
|                      | 80  | 74.6 | 19,410* | 77.2 | 17,440* | 79.6 | 15,860* |
|                      | 90  | 72.3 | 18,780* | 74.9 | 16,960* | 77.2 | 15,510* |
| <b>190' (57.9 m)</b> | 100 | 70.0 | 18,190* | 72.5 | 16,540* | 74.9 | 15,080* |
|                      | 110 | 67.7 | 17,600* | 70.2 | 16,090* | 72.5 | 14,700* |
|                      | 120 | 65.2 | 17,130* | 67.7 | 15,600* | 70.0 | 14,330* |
|                      | 130 | 62.8 | 15,930  | 65.2 | 15,190* | 67.5 | 14,010* |
|                      | 140 | 60.3 | 13,890  | 62.7 | 13,900  | 64.9 | 13,380* |
|                      | 150 | 57.7 | 12,130  | 60.1 | 12,140  | 62.2 | 12,150  |
|                      | 160 | 55.0 | 10,610  | 57.4 | 10,620  | 59.5 | 10,640  |
|                      | 170 | 52.2 | 9,300   | 54.6 | 9,310   | 56.7 | 9,320   |
|                      | 180 | 49.4 | 8,130   | 51.7 | 8,140   | 53.7 | 8,160   |
|                      | 190 | 46.4 | 7,100   | 48.7 | 7,110   | 50.6 | 7,130   |

|                      |     |      |         |      |         |      |         |
|----------------------|-----|------|---------|------|---------|------|---------|
|                      | 44  | 83.0 | 21,990* | -    | -       | -    | -       |
|                      | 50  | 81.7 | 21,500* | -    | -       | -    | -       |
|                      | 60  | 79.6 | 20,850* | 82.0 | 18,440* | -    | -       |
|                      | 70  | 77.4 | 20,120* | 79.9 | 17,940* | 82.2 | 16,180* |
|                      | 80  | 75.2 | 19,450* | 77.7 | 17,480* | 80.0 | 15,850* |
|                      | 90  | 73.0 | 18,840* | 75.5 | 16,990* | 77.7 | 15,510* |
|                      | 100 | 70.8 | 18,340* | 73.2 | 16,580* | 75.5 | 15,150* |
|                      | 110 | 68.5 | 17,740* | 70.9 | 16,150* | 73.2 | 14,720* |
| <b>200' (61.0 m)</b> | 120 | 66.2 | 17,270* | 68.6 | 15,780* | 70.8 | 14,430* |
|                      | 130 | 63.9 | 15,520  | 66.3 | 15,320* | 68.4 | 14,100* |
|                      | 140 | 61.5 | 13,470  | 63.8 | 13,480  | 66.0 | 13,500  |
|                      | 150 | 59.0 | 11,710  | 61.4 | 11,720  | 63.4 | 11,740  |
|                      | 160 | 56.5 | 10,190  | 58.8 | 10,200  | 60.9 | 10,220  |
|                      | 170 | 53.9 | 8,880   | 56.2 | 8,890   | 58.2 | 8,900   |
|                      | 180 | 51.2 | 7,700   | 53.5 | 7,710   | 55.4 | 7,730   |
|                      | 190 | 48.4 | 6,680   | 50.6 | 6,690   | 52.5 | 6,710   |
|                      | 200 | 45.4 | 5,760   | 47.6 | 5,770   | 49.4 | 5,790   |

| Boom length          | Jib Radius (Feet) | 5.0 Deg offset |                 | 15.0 Deg offset |                 | 25.0 Deg offset |                 |
|----------------------|-------------------|----------------|-----------------|-----------------|-----------------|-----------------|-----------------|
|                      |                   | Boom Angle     | Rating (Pounds) | Boom Angle      | Rating (Pounds) | Boom Angle      | Rating (Pounds) |
|                      | 46                | 82.8           | 21,850*         | -               | -               | -               | -               |
|                      | 50                | 82.0           | 21,570*         | -               | -               | -               | -               |
|                      | 60                | 79.9           | 20,860*         | 82.3            | 18,390*         | -               | -               |
|                      | 70                | 77.9           | 20,190*         | 80.2            | 17,940*         | 82.5            | 16,200*         |
|                      | 80                | 75.8           | 19,560*         | 78.1            | 17,500*         | 80.4            | 15,850*         |
|                      | 90                | 73.6           | 18,950*         | 76.0            | 17,000*         | 78.2            | 15,570*         |
|                      | 100               | 71.5           | 18,420*         | 73.8            | 16,600*         | 76.0            | 15,140*         |
|                      | 110               | 69.3           | 17,850*         | 71.7            | 16,200*         | 73.8            | 14,790*         |
| <b>210' (64.0 m)</b> | 120               | 67.1           | 17,400*         | 69.4            | 15,870*         | 71.6            | 14,440*         |
|                      | 130               | 64.9           | 15,080          | 67.2            | 15,080          | 69.3            | 14,160*         |
|                      | 140               | 62.6           | 13,020          | 64.9            | 13,030          | 66.9            | 13,050          |
|                      | 150               | 60.2           | 11,270          | 62.5            | 11,280          | 64.5            | 11,290          |
|                      | 160               | 57.8           | 9,750           | 60.1            | 9,760           | 62.1            | 9,770           |
|                      | 170               | 55.4           | 8,420           | 57.6            | 8,430           | 59.5            | 8,450           |
|                      | 180               | 52.8           | 7,250           | 55.0            | 7,260           | 56.9            | 7,280           |
|                      | 190               | 50.2           | 6,220           | 52.4            | 6,230           | 54.2            | 6,250           |
|                      | 200               | 47.4           | 5,310           | 49.6            | 5,320           | 51.4            | 5,340           |
|                      | 210               | 44.6           | 4,480           | 46.7            | 4,490           | 48.4            | 4,520           |

|                      |     |      |         |      |         |      |         |
|----------------------|-----|------|---------|------|---------|------|---------|
|                      | 47  | 82.9 | 21,770* | -    | -       | -    | -       |
|                      | 50  | 82.3 | 21,540* | -    | -       | -    | -       |
|                      | 60  | 80.3 | 20,900* | 82.6 | 18,420* | -    | -       |
|                      | 70  | 78.3 | 20,230* | 80.6 | 17,950* | 82.8 | 16,110* |
|                      | 80  | 76.3 | 19,600* | 78.6 | 17,480* | 80.7 | 15,850* |
|                      | 90  | 74.2 | 19,070* | 76.5 | 17,090* | 78.6 | 15,540* |
|                      | 100 | 72.2 | 18,510* | 74.4 | 16,690* | 76.5 | 15,190* |
|                      | 110 | 70.1 | 18,030* | 72.3 | 16,270* | 74.4 | 14,870* |
| <b>220' (67.1 m)</b> | 120 | 68.0 | 17,070  | 70.2 | 15,950* | 72.2 | 14,510* |
|                      | 130 | 65.8 | 14,630  | 68.0 | 14,640  | 70.1 | 14,220* |
|                      | 140 | 63.6 | 12,590  | 65.8 | 12,600  | 67.8 | 12,610  |
|                      | 150 | 61.4 | 10,820  | 63.6 | 10,830  | 65.5 | 10,850  |
|                      | 160 | 59.1 | 9,300   | 61.3 | 9,310   | 63.2 | 9,330   |
|                      | 170 | 56.7 | 7,970   | 58.9 | 7,980   | 60.8 | 8,000   |
|                      | 180 | 54.3 | 6,800   | 56.5 | 6,810   | 58.3 | 6,830   |
|                      | 190 | 51.8 | 5,770   | 53.9 | 5,780   | 55.8 | 5,800   |
|                      | 200 | 49.2 | 4,850   | 51.3 | 4,860   | 53.1 | 4,880   |
|                      | 210 | 46.5 | 4,030   | 48.6 | 4,040   | 50.3 | 4,060   |
|                      | 220 | 43.7 | 3,290   | 45.8 | 3,310   | 47.4 | 3,330   |



**WITH 77SI HAMMERHEAD TIP BOOM AND 116,400 POUND COUNTERWEIGHT  
#16HL JIB**

108,400 lb + 8,000 lb carbody counterweight

360°

ANSI B 30.5

**80' (24.4 m) Jib length**

| Boom length          | Jib Radius (Feet) | 5.0 Deg offset |                 | 15.0 Deg offset |                 | 25.0 Deg offset |                 |
|----------------------|-------------------|----------------|-----------------|-----------------|-----------------|-----------------|-----------------|
|                      |                   | Boom Angle     | Rating (Pounds) | Boom Angle      | Rating (Pounds) | Boom Angle      | Rating (Pounds) |
|                      | 46                | 83.0           | 17,270*         | -               | -               | -               | -               |
|                      | 50                | 82.2           | 16,970*         | -               | -               | -               | -               |
|                      | 60                | 80.1           | 16,290*         | 82.9            | 14,140*         | -               | -               |
|                      | 70                | 78.0           | 15,670*         | 80.8            | 13,670*         | -               | -               |
|                      | 80                | 75.9           | 15,090*         | 78.7            | 13,280*         | 81.2            | 11,660*         |
|                      | 90                | 73.8           | 14,540*         | 76.5            | 12,780*         | 79.1            | 11,300*         |
|                      | 100               | 71.7           | 14,020*         | 74.4            | 12,320*         | 76.9            | 10,950*         |
|                      | 110               | 69.5           | 13,530*         | 72.2            | 11,880*         | 74.7            | 10,600*         |
| <b>200' (61.0 m)</b> | 120               | 67.3           | 13,030*         | 70.0            | 11,480*         | 72.4            | 10,340*         |
|                      | 130               | 65.0           | 12,530*         | 67.7            | 11,100*         | 70.1            | 10,080*         |
|                      | 140               | 62.8           | 12,070*         | 65.4            | 10,760*         | 67.8            | 9,840*          |
|                      | 150               | 60.4           | 11,630*         | 63.0            | 10,460*         | 65.4            | 9,630*          |
|                      | 160               | 58.0           | 10,390          | 60.6            | 10,200*         | 62.9            | 9,480*          |
|                      | 170               | 55.6           | 9,060           | 58.1            | 9,070           | 60.4            | 9,090           |
|                      | 180               | 53.0           | 7,890           | 55.5            | 7,900           | 57.7            | 7,930           |
|                      | 190               | 50.4           | 6,860           | 52.9            | 6,870           | 55.0            | 6,900           |
|                      | 200               | 47.6           | 5,950           | 50.1            | 5,960           | 52.2            | 5,980           |

|                      |     |      |         |      |         |      |         |
|----------------------|-----|------|---------|------|---------|------|---------|
|                      | 48  | 82.8 | 17,160* | -    | -       | -    | -       |
|                      | 50  | 82.4 | 17,010* | -    | -       | -    | -       |
|                      | 60  | 80.5 | 16,330* | -    | -       | -    | -       |
|                      | 70  | 78.4 | 15,690* | 81.1 | 13,680* | -    | -       |
|                      | 80  | 76.4 | 15,110* | 79.1 | 13,290* | 81.5 | 11,650* |
|                      | 90  | 74.4 | 14,590* | 77.0 | 12,850* | 79.5 | 11,300* |
|                      | 100 | 72.3 | 14,080* | 74.9 | 12,410* | 77.4 | 10,960* |
|                      | 110 | 70.2 | 13,650* | 72.8 | 11,930* | 75.2 | 10,630* |
| <b>210' (64.0 m)</b> | 120 | 68.1 | 13,190* | 70.7 | 11,540* | 73.1 | 10,380* |
|                      | 130 | 66.0 | 12,680* | 68.5 | 11,170* | 70.9 | 10,120* |
|                      | 140 | 63.8 | 12,180* | 66.3 | 10,870* | 68.6 | 9,900*  |
|                      | 150 | 61.5 | 11,460  | 64.1 | 10,570* | 66.3 | 9,690*  |
|                      | 160 | 59.3 | 9,940   | 61.8 | 9,950   | 64.0 | 9,490*  |
|                      | 170 | 56.9 | 8,610   | 59.4 | 8,620   | 61.6 | 8,640   |
|                      | 180 | 54.5 | 7,440   | 57.0 | 7,460   | 59.1 | 7,480   |
|                      | 190 | 52.0 | 6,410   | 54.4 | 6,420   | 56.5 | 6,440   |
|                      | 200 | 49.4 | 5,490   | 51.8 | 5,500   | 53.9 | 5,530   |
|                      | 210 | 46.7 | 4,670   | 49.1 | 4,680   | 51.1 | 4,700   |

| Boom length          | Jib Radius (Feet) | 5.0 Deg offset |                 | 15.0 Deg offset |                 | 25.0 Deg offset |                 |
|----------------------|-------------------|----------------|-----------------|-----------------|-----------------|-----------------|-----------------|
|                      |                   | Boom Angle     | Rating (Pounds) | Boom Angle      | Rating (Pounds) | Boom Angle      | Rating (Pounds) |
|                      | 49                | 82.9           | 17,050*         | -               | -               | -               | -               |
|                      | 50                | 82.7           | 17,020*         | -               | -               | -               | -               |
|                      | 60                | 80.8           | 16,340*         | -               | -               | -               | -               |
|                      | 70                | 78.8           | 15,740*         | 81.4            | 13,690*         | -               | -               |
|                      | 80                | 76.9           | 15,200*         | 79.4            | 13,310*         | 81.8            | 11,660*         |
|                      | 90                | 74.9           | 14,660*         | 77.5            | 12,920*         | 79.8            | 11,300*         |
|                      | 100               | 72.9           | 14,190*         | 75.5            | 12,440*         | 77.8            | 10,960*         |
|                      | 110               | 70.9           | 13,750*         | 73.4            | 12,040*         | 75.8            | 10,660*         |
| <b>220' (67.1 m)</b> | 120               | 68.9           | 13,320*         | 71.4            | 11,630*         | 73.7            | 10,390*         |
|                      | 130               | 66.8           | 12,810*         | 69.3            | 11,250*         | 71.6            | 10,160*         |
|                      | 140               | 64.7           | 12,370*         | 67.2            | 10,950*         | 69.4            | 9,950*          |
|                      | 150               | 62.6           | 11,020          | 65.0            | 10,620*         | 67.2            | 9,720*          |
|                      | 160               | 60.4           | 9,500           | 62.8            | 9,510           | 65.0            | 9,520           |
|                      | 170               | 58.2           | 8,160           | 60.6            | 8,170           | 62.7            | 8,190           |
|                      | 180               | 55.9           | 7,000           | 58.2            | 7,010           | 60.3            | 7,030           |
|                      | 190               | 53.5           | 5,960           | 55.9            | 5,970           | 57.9            | 5,990           |
|                      | 200               | 51.1           | 5,040           | 53.4            | 5,050           | 55.4            | 5,070           |
|                      | 210               | 48.5           | 4,210           | 50.8            | 4,220           | 52.8            | 4,250           |
|                      | 220               | 45.9           | 3,480           | 48.2            | 3,490           | 50.0            | 3,510           |

**NOTES TO LIFTING CAPACITY**

**Warning**

This rating chart is invalid if the crane has been modified or altered by use of other than GENUINE AMERICAN PARTS as such modifications or alterations may affect its capacity or safe operation. See American Crane Corporation Service Bulliten #259.

Ratings in this chart are in POUNDS and do not exceed the percentage of tipping specified for this crane by ANSI B30.5. All ratings require that the crane be standing level on a firm uniformly supporting surface.

Do not lift loads in excess of those shown on this chart. Lifting loads in excess of those shown or operation not in accordance with good operating practice, including limitations shown on page 3499 of Operator's Manual, can cause tipping, structural damage or catastrophic failure.

Asterisk (\*) areas on this chart indicate ratings which are limited by strength of material or factors other than stability (tipping).

„JIB RADIUS IN FEET“ is the horizontal distance at ground level from the crane centerline of rotation to a vertical line through the center of gravity of the suspended load.

When using the main boom fall with jib in place, the main fall ratings must be reduced by the jib effective weight shown on the jib rating chart plus twice the weight of all suspended blocks, slings, rope, etc., at the jib fall. See Appendix A.

Blocks, slings, buckets and other load carrying devices are considered part of the load. The weight of standard hoisting ropes for the rating at a given radius has been calculated as part of the boom point load and need not be considered in determining net allowable loads. See Appendix A.

Ratings shown on this chart make no allowance for such factors as out of plumb loads, wind, poor soil conditions, improper inflation of rubber tires and dynamic effects due to excessive operating speeds. The user (operator) must exercise judgement to make allowance for these conditions. See page 3499 of Operator's Manual for detailed information.

No account is taken of the wind force on the load. This effect, which can be substantial for loads with large surface areas, must be considered by the user. In any wind it is strongly recommended that taglines be used to control the load.

BOOM HOIST LINE is 14 parts of 7/8 inch diameter EIPS wire rope with a minimum breaking strength of 79,600 pound.

PENDANT SUSPENSION LINE is 4 parts of 1.375 inch diameter EEIPS wire rope with a minimum breaking strength of 211,000 pound.

JIB BACKSTAY LINE AND FRONTSTAY LINES are 2 parts of 0.875 inch diameter wire rope with a minimum breaking strength of 69,200 pound.

WHIP LINE – 1.125 inch diameter EIPS wire rope with a minimum breaking strength of 130,000 pound or

ALTERNATE WHIP LINE (ROTATION RESISTANT) – 1.125 inch diameter BRIDON ENDURANCE DYFORM 34LR Grade 2160 wire rope with a minimum breaking strength of 167,200 pound.

**ERECTION**

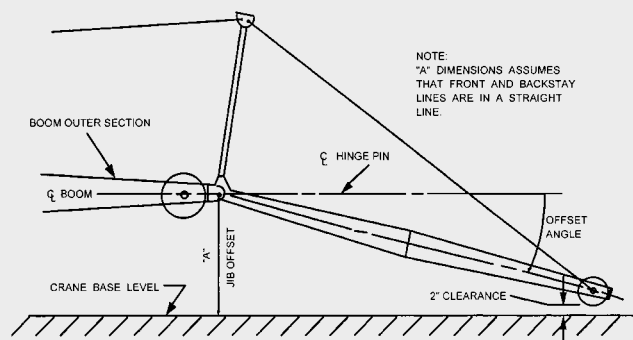
Erection „OVER THE END“ is with the boom over the idler end with idler tumblers blocked (See operator's manual for blocking instructions). Erection „OVER THE SIDE“ is with the boom 90° to the sideframes and with the side frames extended. Blocks, slings and other load carrying devices must be on the ground during erection.

| LOAD HOISTING INFORMATION - 1.125 inch diameter EIPS wire rope |                       |                                |             |
|--|-----------------------|--------------------------------|-------------|
| MAXIMUM LIFTING CAPACITY - LBS.                                | MINIMUM PARTS OF LINE | MAXIMUM HOISTING DISTANCE - FT |             |
|  |                       | MAIN (FRONT)                   | AUX. (REAR) |
| 32,000   | 1                     | 1,312                          | 1,312       |

| LOAD HOISTING INFORMATION (ROTATION RESISTANT LOAD LINE)              |                       |                                  |             |
|---|-----------------------|----------------------------------|-------------|
| 1.125 inch diameter BRIDON ENDURANCE DYFORM 34LR Grade 2160 wire rope |                       |                                  |             |
| MAXIMUM LIFTING CAPACITY - LBS.                                       | MINIMUM PARTS OF LINE | MAXIMUM HOISTING DISTANCE - FEET |             |
|   |                       | MAIN (FRONT)                     | AUX. (REAR) |
| 32,000  | 1                     | 1,312                            | 1,312       |

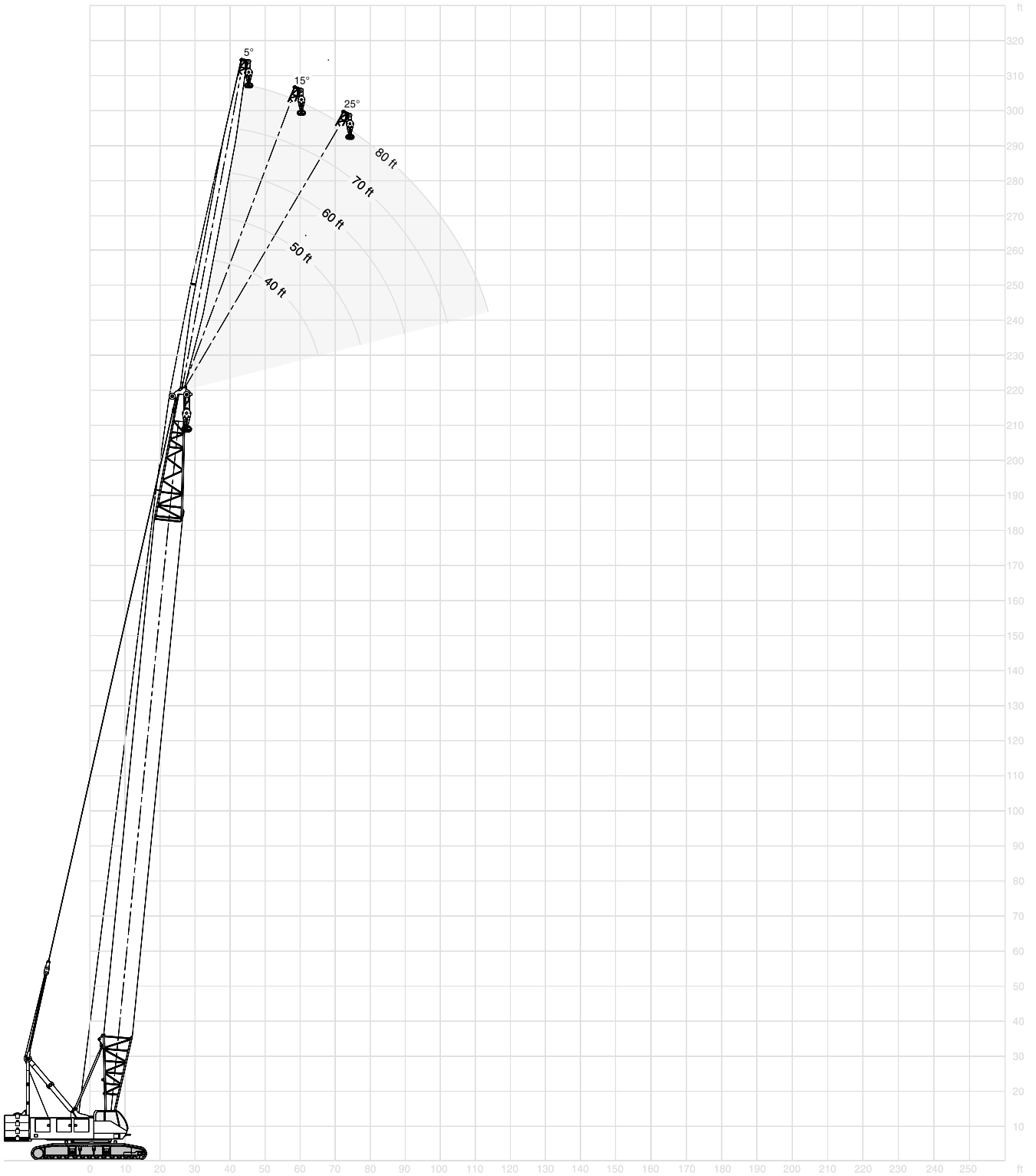
| 77SI HAMMERHEAD BOOM COMPOSITION CHART |                    |                               |                               |                               |                                |                                 |                             |
|--|--------------------|-------------------------------|-------------------------------|-------------------------------|--------------------------------|---------------------------------|-----------------------------|
| BOOM LENGTH (METERS)                   | BOOM LENGTH (FEET) | BOOM SECTIONS                 |                               |                               |                                |                                 |                             |
|  |                    | 9.1 M<br>30'<br>77SI<br>INNER | 3.0 M<br>10'<br>77S<br>CENTER | 6.1 M<br>20'<br>77S<br>CENTER | 15.2 M<br>50'<br>77S<br>CENTER | 5.9 M<br>19.5'<br>77HL<br>OUTER | 0 M<br>0'<br>HAMMER<br>HEAD |
| 15.2 M                                 | 50                 | 1                             | 0                             | 0                             | 0                              | 1                               | 1                           |
| 18.3 M                                 | 60                 | 1                             | 1                             | 0                             | 0                              | 1                               | 1                           |
| 21.3 M                                 | 70                 | 1                             | 1                             | 0                             | 1                              | 1                               | 1                           |
| 24.4 M                                 | 80                 | 1                             | 1                             | 1                             | 0                              | 1                               | 1                           |
| 27.4 M                                 | 90                 | 1                             | 0                             | 2                             | 0                              | 1                               | 1                           |
| 30.5 M                                 | 100                | 1                             | 0                             | 0                             | 1                              | 1                               | 1                           |
| 33.5 M                                 | 110                | 1                             | 1                             | 0                             | 1                              | 1                               | 1                           |
| 36.6 M                                 | 120                | 1                             | 0                             | 1                             | 1                              | 1                               | 1                           |
| 39.6 M                                 | 130                | 1                             | 1                             | 1                             | 1                              | 1                               | 1                           |
| 42.7 M                                 | 140                | 1                             | 0                             | 2                             | 1                              | 1                               | 1                           |
| 45.7 M                                 | 150                | 1                             | 0                             | 0                             | 2                              | 1                               | 1                           |
| 48.8 M                                 | 160                | 1                             | 1                             | 0                             | 2                              | 1                               | 1                           |
| 51.8 M                                 | 170                | 1                             | 0                             | 1                             | 2                              | 1                               | 1                           |
| 54.9 M                                 | 180                | 1                             | 1                             | 1                             | 2                              | 1                               | 1                           |
| 57.9 M                                 | 190                | 1                             | 0                             | 2                             | 2                              | 1                               | 1                           |
| 61.0 M                                 | 200                | 1                             | 0                             | 0                             | 3                              | 1                               | 1                           |
| 64.0 M                                 | 210                | 1                             | 1                             | 0                             | 3                              | 1                               | 1                           |
| 67.1 M                                 | 220                | 1                             | 0                             | 1                             | 3                              | 1                               | 1                           |
| 70.1 M                                 | 230                | 1                             | 1                             | 1                             | 3                              | 1                               | 1                           |
| 73.2 M                                 | 240                | 1                             | 0                             | 2                             | 3                              | 1                               | 1                           |

| 77SI HAMMERHEAD BOOM<br>MAXIMUM BOOM & JIB SELF-ERECTION DATA |                    |                   |                    |                   |
|---|--------------------|-------------------|--------------------|-------------------|
|   | OVER THE END       |                   | OVER THE SIDE      |                   |
|   | BOOM LENGTH (FEET) | JIB LENGTH (FEET) | BOOM LENGTH (FEET) | JIB LENGTH (FEET) |
| #16HL JIB   | 240<br>230<br>220  | 0<br>0<br>80      | 220<br>210<br>200  | 0<br>40<br>80     |



| #16HL JIB COMPOSITION CHART |           |            |            |           |                          |                          |         |         |
|-----------------------------|-----------|------------|------------|-----------|--------------------------|--------------------------|---------|---------|
| JIB LENGTH (FEET)           | 20' INNER | 10' CENTER | 20' CENTER | 20' OUTER | EFF. JIB WEIGHT (POUNDS) | JIB OFFSET \"A\" IN FEET |         |         |
|                             |           |            |            |           |                          | 5°                       | 15°     | 25°     |
| 40                          | 1         | 0          | 0          | 1         | 1,500                    | 4'-10"                   | 10'- 2" | 15'- 1" |
| 50                          | 1         | 1          | 0          | 1         | 2,050                    | 5'- 8"                   | 12'- 1" | 18'- 3" |
| 60                          | 1         | 0          | 1          | 1         | 2,600                    | 6'- 6"                   | 13'-10" | 21'- 2" |
| 70                          | 1         | 1          | 1          | 1         | 3,150                    | 7'- 1"                   | 15'-10" | 24'- 4" |
| 80                          | 1         | 0          | 2          | 1         | 3,700                    | 7'- 9"                   | 17'- 8" | 27'- 4" |

**RANGE DIAGRAM, 77SI OFFSET TIP BOOM, #16HL JIB**



**WITH 77SI OFFSET TIP BOOM AND 102,000 POUND UPPER COUNTERWEIGHT  
#16HL JIB**

102,000 lb

360°

ANSI B 30.5

**40' (12.2 m) Jib length**

| Boom length          | Jib Radius (Feet) | 5.0 Deg offset |                 | 15.0 Deg offset |                 | 25.0 Deg offset |                 |
|----------------------|-------------------|----------------|-----------------|-----------------|-----------------|-----------------|-----------------|
|                      |                   | Boom Angle     | Rating (Pounds) | Boom Angle      | Rating (Pounds) | Boom Angle      | Rating (Pounds) |
|                      | 31                | 80.6           | 32,000*         | -               | -               | -               | -               |
|                      | 35                | 78.9           | 32,000*         | -               | -               | -               | -               |
|                      | 40                | 76.9           | 32,000*         | 79.6            | 32,000*         | -               | -               |
|                      | 50                | 72.6           | 32,000*         | 75.3            | 32,000*         | 77.8            | 31,510*         |
| <b>100' (30.5 m)</b> | 60                | 68.3           | 32,000*         | 71.0            | 32,000*         | 73.4            | 28,280*         |
|                      | 70                | 63.8           | 32,000*         | 66.4            | 31,740*         | 68.8            | 25,680*         |
|                      | 80                | 59.2           | 32,000*         | 61.7            | 28,780*         | 64.0            | 23,630*         |
|                      | 90                | 54.2           | 30,280*         | 56.8            | 26,380*         | 59.0            | 21,980*         |
|                      | 100               | 49.0           | 27,480*         | 51.4            | 24,450*         | 53.5            | 20,650*         |

|                      |     |      |         |      |         |      |         |
|----------------------|-----|------|---------|------|---------|------|---------|
|                      | 32  | 80.8 | 32,000* | -    | -       | -    | -       |
|                      | 35  | 79.7 | 32,000* | -    | -       | -    | -       |
|                      | 40  | 77.7 | 32,000* | 80.3 | 32,000* | -    | -       |
|                      | 50  | 73.8 | 32,000* | 76.3 | 32,000* | 78.7 | 32,000* |
| <b>110' (33.5 m)</b> | 60  | 69.8 | 32,000* | 72.3 | 32,000* | 74.6 | 28,980* |
|                      | 70  | 65.7 | 32,000* | 68.1 | 32,000* | 70.4 | 26,500* |
|                      | 80  | 61.4 | 32,000* | 63.8 | 30,030* | 66.0 | 24,370* |
|                      | 90  | 57.0 | 31,470  | 59.3 | 27,580* | 61.4 | 22,710* |
|                      | 100 | 52.2 | 27,310  | 54.6 | 25,450* | 56.6 | 21,280* |
|                      | 110 | 47.2 | 23,980  | 49.5 | 23,790* | 51.4 | 20,120* |

|                      |     |      |         |      |         |      |         |
|----------------------|-----|------|---------|------|---------|------|---------|
|                      | 34  | 80.7 | 32,000* | -    | -       | -    | -       |
|                      | 35  | 80.3 | 32,000* | -    | -       | -    | -       |
|                      | 40  | 78.5 | 32,000* | 80.9 | 32,000* | -    | -       |
|                      | 50  | 74.9 | 32,000* | 77.2 | 32,000* | 79.4 | 32,000* |
| <b>120' (36.6 m)</b> | 60  | 71.1 | 32,000* | 73.5 | 32,000* | 75.6 | 29,690* |
|                      | 70  | 67.3 | 32,000* | 69.6 | 32,000* | 71.7 | 27,140* |
|                      | 80  | 63.4 | 32,000* | 65.6 | 31,170* | 67.7 | 25,050* |
|                      | 90  | 59.3 | 31,090  | 61.5 | 28,640* | 63.5 | 23,330* |
|                      | 100 | 55.0 | 26,920  | 57.2 | 26,480* | 59.1 | 21,910* |
|                      | 110 | 50.4 | 23,590  | 52.6 | 23,590  | 54.5 | 20,730* |
|                      | 120 | 45.6 | 20,860  | 47.7 | 20,870  | 49.4 | 19,770* |

|                      |     |      |         |      |         |      |         |
|----------------------|-----|------|---------|------|---------|------|---------|
|                      | 35  | 80.9 | 32,000* | -    | -       | -    | -       |
|                      | 40  | 79.2 | 32,000* | -    | -       | -    | -       |
|                      | 50  | 75.8 | 32,000* | 78.0 | 32,000* | 80.1 | 32,000* |
|                      | 60  | 72.3 | 32,000* | 74.5 | 32,000* | 76.5 | 30,320* |
| <b>130' (39.6 m)</b> | 70  | 68.7 | 32,000* | 70.9 | 32,000* | 72.9 | 27,880* |
|                      | 80  | 65.0 | 32,000* | 67.2 | 32,000* | 69.2 | 25,790* |
|                      | 90  | 61.3 | 30,750  | 63.4 | 29,620* | 65.3 | 23,990* |
|                      | 100 | 57.3 | 26,580  | 59.4 | 26,590  | 61.3 | 22,550* |
|                      | 110 | 53.2 | 23,240  | 55.3 | 23,240  | 57.0 | 21,300* |
|                      | 120 | 48.8 | 20,500  | 50.9 | 20,510  | 52.5 | 20,280* |
|                      | 130 | 44.1 | 18,240  | 46.1 | 18,250  | 47.7 | 18,260  |

| Boom length          | Jib Radius (Feet) | 5.0 Deg offset |                 | 15.0 Deg offset |                 | 25.0 Deg offset |                 |
|----------------------|-------------------|----------------|-----------------|-----------------|-----------------|-----------------|-----------------|
|                      |                   | Boom Angle     | Rating (Pounds) | Boom Angle      | Rating (Pounds) | Boom Angle      | Rating (Pounds) |
|                      | 37                | 80.8           | 32,000*         | -               | -               | -               | -               |
|                      | 40                | 79.8           | 32,000*         | -               | -               | -               | -               |
|                      | 50                | 76.6           | 32,000*         | 78.7            | 32,000*         | 80.7            | 32,000*         |
|                      | 60                | 73.3           | 32,000*         | 75.4            | 32,000*         | 77.3            | 30,910*         |
| <b>140' (42.7 m)</b> | 70                | 69.9           | 32,000*         | 72.0            | 32,000*         | 73.9            | 28,450*         |
|                      | 80                | 66.5           | 32,000*         | 68.6            | 32,000*         | 70.4            | 26,350*         |
|                      | 90                | 63.0           | 30,350          | 65.0            | 30,350          | 66.8            | 24,570*         |
|                      | 100               | 59.3           | 26,180          | 61.3            | 26,180          | 63.1            | 23,090*         |
|                      | 110               | 55.6           | 22,830          | 57.5            | 22,830          | 59.2            | 21,890*         |
|                      | 120               | 51.6           | 20,090          | 53.5            | 20,100          | 55.1            | 20,110          |
|                      | 130               | 47.4           | 17,820          | 49.2            | 17,830          | 50.8            | 17,840          |
|                      | 140               | 42.8           | 15,900          | 44.7            | 15,910          | 46.1            | 15,920          |

|                      |     |      |         |      |         |      |         |
|----------------------|-----|------|---------|------|---------|------|---------|
|                      | 38  | 81.0 | 32,000* | -    | -       | -    | -       |
|                      | 40  | 80.3 | 32,000* | -    | -       | -    | -       |
|                      | 50  | 77.3 | 32,000* | 79.3 | 32,000* | -    | -       |
|                      | 60  | 74.2 | 32,000* | 76.2 | 32,000* | 78.0 | 31,480* |
|                      | 70  | 71.0 | 32,000* | 73.0 | 32,000* | 74.8 | 28,990* |
|                      | 80  | 67.8 | 32,000* | 69.8 | 32,000* | 71.5 | 26,990* |
| <b>150' (45.7 m)</b> | 90  | 64.5 | 29,960  | 66.4 | 29,960  | 68.2 | 25,210* |
|                      | 100 | 61.1 | 25,770  | 63.0 | 25,780  | 64.7 | 23,680* |
|                      | 110 | 57.6 | 22,430  | 59.5 | 22,440  | 61.1 | 22,430* |
|                      | 120 | 53.9 | 19,690  | 55.8 | 19,700  | 57.4 | 19,710  |
|                      | 130 | 50.1 | 17,410  | 51.9 | 17,420  | 53.4 | 17,430  |
|                      | 140 | 46.0 | 15,490  | 47.8 | 15,500  | 49.2 | 15,510  |
|                      | 150 | 41.6 | 13,850  | 43.3 | 13,850  | 44.7 | 13,870  |

|                      |     |      |         |      |         |      |         |
|----------------------|-----|------|---------|------|---------|------|---------|
|                      | 40  | 80.8 | 32,000* | -    | -       | -    | -       |
|                      | 50  | 77.9 | 32,000* | 79.8 | 32,000* | -    | -       |
|                      | 60  | 75.0 | 32,000* | 76.9 | 32,000* | 78.6 | 31,940* |
|                      | 70  | 72.0 | 32,000* | 73.9 | 32,000* | 75.6 | 29,580* |
|                      | 80  | 69.0 | 32,000* | 70.8 | 32,000* | 72.5 | 27,520* |
|                      | 90  | 65.9 | 29,540  | 67.7 | 29,550  | 69.4 | 25,740* |
| <b>160' (48.8 m)</b> | 100 | 62.7 | 25,360  | 64.5 | 25,360  | 66.1 | 24,220* |
|                      | 110 | 59.4 | 22,010  | 61.2 | 22,020  | 62.8 | 22,030  |
|                      | 120 | 56.0 | 19,280  | 57.8 | 19,280  | 59.3 | 19,290  |
|                      | 130 | 52.5 | 16,990  | 54.2 | 17,000  | 55.7 | 17,010  |
|                      | 140 | 48.7 | 15,060  | 50.4 | 15,070  | 51.9 | 15,080  |
|                      | 150 | 44.8 | 13,420  | 46.4 | 13,420  | 47.8 | 13,440  |
|                      | 160 | 40.5 | 12,000  | 42.1 | 12,010  | 43.3 | 12,020  |

|                      |     |      |         |      |         |      |         |
|----------------------|-----|------|---------|------|---------|------|---------|
|                      | 41  | 81.0 | 32,000* | -    | -       | -    | -       |
|                      | 50  | 78.5 | 32,000* | 80.3 | 32,000* | -    | -       |
|                      | 60  | 75.7 | 32,000* | 77.5 | 32,000* | 79.2 | 32,000* |
|                      | 70  | 72.9 | 32,000* | 74.7 | 32,000* | 76.3 | 29,950* |
|                      | 80  | 70.0 | 32,000* | 71.8 | 32,000* | 73.4 | 27,990* |
|                      | 90  | 67.1 | 29,140  | 68.8 | 29,150  | 70.4 | 26,220* |
| <b>170' (51.8 m)</b> | 100 | 64.1 | 24,960  | 65.8 | 24,960  | 67.4 | 24,710* |
|                      | 110 | 61.0 | 21,600  | 62.7 | 21,610  | 64.3 | 21,620  |
|                      | 120 | 57.8 | 18,860  | 59.5 | 18,860  | 61.0 | 18,880  |
|                      | 130 | 54.5 | 16,570  | 56.2 | 16,580  | 57.6 | 16,590  |
|                      | 140 | 51.1 | 14,650  | 52.7 | 14,650  | 54.1 | 14,670  |
|                      | 150 | 47.5 | 13,000  | 49.1 | 13,010  | 50.4 | 13,020  |
|                      | 160 | 43.6 | 11,580  | 45.2 | 11,580  | 46.4 | 11,600  |
|                      | 170 | 39.5 | 10,340  | 41.0 | 10,350  | 42.1 | 10,360  |



**WITH 77SI OFFSET TIP BOOM AND 102,000 POUND UPPER COUNTERWEIGHT  
#16HL JIB**

102,000 lb

360°

ANSI B 30.5

**40' (12.2 m) Jib length**

| Boom length          | Jib Radius (Feet) | 5.0 Deg offset Boom Angle | 5.0 Deg offset Rating (Pounds) | 15.0 Deg offset Boom Angle | 15.0 Deg offset Rating (Pounds) | 25.0 Deg offset Boom Angle | 25.0 Deg offset Rating (Pounds) |
|----------------------|-------------------|---------------------------|--------------------------------|----------------------------|---------------------------------|----------------------------|---------------------------------|
|                      | 43                | 80.9                      | 32,000*                        | -                          | -                               | -                          | -                               |
|                      | 50                | 79.0                      | 32,000*                        | 80.8                       | 32,000*                         | -                          | -                               |
|                      | 60                | 76.4                      | 32,000*                        | 78.1                       | 32,000*                         | 79.7                       | 32,000*                         |
|                      | 70                | 73.7                      | 32,000*                        | 75.4                       | 32,000*                         | 77.0                       | 30,450*                         |
|                      | 80                | 71.0                      | 32,000*                        | 72.7                       | 32,000*                         | 74.2                       | 28,440*                         |
|                      | 90                | 68.2                      | 28,770                         | 69.9                       | 28,780                          | 71.4                       | 26,700*                         |
| <b>180' (54.9 m)</b> | 100               | 65.4                      | 24,580                         | 67.0                       | 24,590                          | 68.5                       | 24,600                          |
|                      | 110               | 62.4                      | 21,230                         | 64.1                       | 21,230                          | 65.6                       | 21,240                          |
|                      | 120               | 59.5                      | 18,480                         | 61.1                       | 18,490                          | 62.5                       | 18,500                          |
|                      | 130               | 56.4                      | 16,190                         | 58.0                       | 16,200                          | 59.4                       | 16,210                          |
|                      | 140               | 53.2                      | 14,270                         | 54.8                       | 14,270                          | 56.1                       | 14,290                          |
|                      | 150               | 49.8                      | 12,620                         | 51.4                       | 12,620                          | 52.7                       | 12,640                          |
|                      | 160               | 46.3                      | 11,190                         | 47.8                       | 11,200                          | 49.1                       | 11,210                          |
|                      | 170               | 42.6                      | 9,950                          | 44.0                       | 9,960                           | 45.2                       | 9,970                           |
|                      | 180               | 38.5                      | 8,870                          | 39.9                       | 8,870                           | 41.0                       | 8,890                           |

|                      |     |      |         |      |         |      |         |
|----------------------|-----|------|---------|------|---------|------|---------|
|                      | 45  | 80.8 | 32,000* | -    | -       | -    | -       |
|                      | 50  | 79.5 | 32,000* | -    | -       | -    | -       |
|                      | 60  | 77.0 | 32,000* | 78.6 | 32,000* | 80.2 | 32,000* |
|                      | 70  | 74.4 | 32,000* | 76.1 | 32,000* | 77.6 | 30,910* |
|                      | 80  | 71.8 | 32,000* | 73.4 | 32,000* | 74.9 | 28,870* |
|                      | 90  | 69.2 | 28,350  | 70.8 | 28,360  | 72.3 | 27,220* |
| <b>190' (57.9 m)</b> | 100 | 66.5 | 24,160  | 68.1 | 24,170  | 69.5 | 24,180  |
|                      | 110 | 63.7 | 20,800  | 65.3 | 20,810  | 66.7 | 20,820  |
|                      | 120 | 60.9 | 18,060  | 62.5 | 18,060  | 63.9 | 18,080  |
|                      | 130 | 58.0 | 15,770  | 59.6 | 15,770  | 60.9 | 15,780  |
|                      | 140 | 55.0 | 13,840  | 56.6 | 13,850  | 57.9 | 13,860  |
|                      | 150 | 51.9 | 12,190  | 53.4 | 12,190  | 54.7 | 12,200  |
|                      | 160 | 48.7 | 10,760  | 50.1 | 10,760  | 51.4 | 10,770  |
|                      | 170 | 45.2 | 9,510   | 46.7 | 9,520   | 47.8 | 9,530   |
|                      | 180 | 41.6 | 8,420   | 43.0 | 8,430   | 44.1 | 8,440   |
|                      | 190 | 37.6 | 7,460   | 39.0 | 7,470   | 40.0 | 7,480   |

|                      |     |      |         |      |         |      |         |
|----------------------|-----|------|---------|------|---------|------|---------|
|                      | 46  | 80.9 | 32,000* | -    | -       | -    | -       |
|                      | 50  | 80.0 | 32,000* | -    | -       | -    | -       |
|                      | 60  | 77.5 | 32,000* | 79.1 | 32,000* | 80.6 | 32,000* |
|                      | 70  | 75.1 | 32,000* | 76.6 | 32,000* | 78.1 | 31,340* |
|                      | 80  | 72.6 | 32,000* | 74.2 | 32,000* | 75.6 | 29,380* |
|                      | 90  | 70.1 | 27,950  | 71.6 | 27,960  | 73.0 | 27,670* |
|                      | 100 | 67.5 | 23,750  | 69.1 | 23,760  | 70.4 | 23,770  |
|                      | 110 | 64.9 | 20,390  | 66.4 | 20,400  | 67.8 | 20,410  |
| <b>200' (61.0 m)</b> | 120 | 62.2 | 17,650  | 63.8 | 17,650  | 65.1 | 17,660  |
|                      | 130 | 59.5 | 15,350  | 61.0 | 15,360  | 62.3 | 15,370  |
|                      | 140 | 56.7 | 13,410  | 58.2 | 13,420  | 59.4 | 13,430  |
|                      | 150 | 53.8 | 11,760  | 55.2 | 11,760  | 56.5 | 11,770  |
|                      | 160 | 50.7 | 10,320  | 52.2 | 10,330  | 53.4 | 10,340  |
|                      | 170 | 47.6 | 9,090   | 49.0 | 9,090   | 50.1 | 9,100   |
|                      | 180 | 44.2 | 7,990   | 45.6 | 8,000   | 46.7 | 8,010   |
|                      | 190 | 40.6 | 7,020   | 42.0 | 7,030   | 43.0 | 7,050   |
|                      | 200 | 36.8 | 6,170   | 38.1 | 6,180   | 39.0 | 6,200   |

| Boom length          | Jib Radius (Feet) | 5.0 Deg offset Boom Angle | 5.0 Deg offset Rating (Pounds) | 15.0 Deg offset Boom Angle | 15.0 Deg offset Rating (Pounds) | 25.0 Deg offset Boom Angle | 25.0 Deg offset Rating (Pounds) |
|----------------------|-------------------|---------------------------|--------------------------------|----------------------------|---------------------------------|----------------------------|---------------------------------|
|                      | 48                | 80.8                      | 32,000*                        | -                          | -                               | -                          | -                               |
|                      | 50                | 80.4                      | 32,000*                        | -                          | -                               | -                          | -                               |
|                      | 60                | 78.0                      | 32,000*                        | 79.6                       | 32,000*                         | 81.0                       | 32,000*                         |
|                      | 70                | 75.7                      | 32,000*                        | 77.2                       | 32,000*                         | 78.6                       | 31,760*                         |
|                      | 80                | 73.3                      | 32,000*                        | 74.8                       | 32,000*                         | 76.2                       | 29,790*                         |
|                      | 90                | 70.9                      | 27,530                         | 72.4                       | 27,540                          | 73.8                       | 27,550                          |
|                      | 100               | 68.5                      | 23,330                         | 69.9                       | 23,330                          | 71.3                       | 23,340                          |
|                      | 110               | 66.0                      | 19,970                         | 67.4                       | 19,980                          | 68.8                       | 19,990                          |
| <b>210' (64.0 m)</b> | 120               | 63.4                      | 17,210                         | 64.9                       | 17,220                          | 66.2                       | 17,230                          |
|                      | 130               | 60.9                      | 14,930                         | 62.3                       | 14,930                          | 63.6                       | 14,940                          |
|                      | 140               | 58.2                      | 12,990                         | 59.6                       | 12,990                          | 60.8                       | 13,000                          |
|                      | 150               | 55.4                      | 11,330                         | 56.8                       | 11,330                          | 58.0                       | 11,350                          |
|                      | 160               | 52.6                      | 9,890                          | 54.0                       | 9,900                           | 55.1                       | 9,910                           |
|                      | 170               | 49.6                      | 8,640                          | 51.0                       | 8,650                           | 52.1                       | 8,660                           |
|                      | 180               | 46.5                      | 7,550                          | 47.9                       | 7,550                           | 49.0                       | 7,570                           |
|                      | 190               | 43.3                      | 6,570                          | 44.6                       | 6,580                           | 45.6                       | 6,590                           |
|                      | 200               | 39.8                      | 5,720                          | 41.1                       | 5,730                           | 42.0                       | 5,740                           |
|                      | 210               | 36.0                      | 4,960                          | 37.2                       | 4,970                           | 38.1                       | 4,980                           |

|                      |     |      |         |      |         |      |         |
|----------------------|-----|------|---------|------|---------|------|---------|
|                      | 49  | 81.0 | 32,000* | -    | -       | -    | -       |
|                      | 50  | 80.7 | 32,000* | -    | -       | -    | -       |
|                      | 60  | 78.5 | 32,000* | 80.0 | 32,000* | -    | -       |
|                      | 70  | 76.2 | 32,000* | 77.7 | 32,000* | 79.1 | 32,000* |
|                      | 80  | 74.0 | 32,000* | 75.4 | 32,000* | 76.8 | 30,080* |
|                      | 90  | 71.7 | 27,110  | 73.1 | 27,120  | 74.4 | 27,130  |
|                      | 100 | 69.3 | 22,920  | 70.8 | 22,920  | 72.1 | 22,930  |
|                      | 110 | 67.0 | 19,550  | 68.4 | 19,550  | 69.6 | 19,560  |
| <b>220' (67.1 m)</b> | 120 | 64.5 | 16,800  | 65.9 | 16,810  | 67.2 | 16,820  |
|                      | 130 | 62.1 | 14,500  | 63.5 | 14,510  | 64.7 | 14,520  |
|                      | 140 | 59.5 | 12,560  | 60.9 | 12,570  | 62.1 | 12,580  |
|                      | 150 | 56.9 | 10,900  | 58.3 | 10,910  | 59.5 | 10,920  |
|                      | 160 | 54.3 | 9,460   | 55.6 | 9,470   | 56.8 | 9,480   |
|                      | 170 | 51.5 | 8,210   | 52.8 | 8,220   | 53.9 | 8,230   |
|                      | 180 | 48.6 | 7,110   | 49.9 | 7,120   | 51.0 | 7,130   |
|                      | 190 | 45.6 | 6,150   | 46.9 | 6,150   | 47.9 | 6,170   |
|                      | 200 | 42.4 | 5,280   | 43.6 | 5,280   | 44.6 | 5,300   |
|                      | 210 | 39.0 | 4,510   | 40.2 | 4,520   | 41.1 | 4,530   |
|                      | 220 | 35.3 | 3,840   | 36.4 | 3,840   | 37.2 | 3,860   |

|                      |     |      |         |      |         |      |         |
|----------------------|-----|------|---------|------|---------|------|---------|
|                      | 51  | 80.9 | 32,000* | -    | -       | -    | -       |
|                      | 60  | 78.9 | 32,000* | 80.3 | 32,000* | -    | -       |
|                      | 70  | 76.8 | 32,000* | 78.2 | 32,000* | 79.5 | 32,000* |
|                      | 80  | 74.6 | 32,000* | 76.0 | 32,000* | 77.3 | 30,500* |
|                      | 90  | 72.4 | 26,730  | 73.8 | 26,740  | 75.0 | 26,750  |
|                      | 100 | 70.1 | 22,530  | 71.5 | 22,530  | 72.8 | 22,540  |
|                      | 110 | 67.9 | 19,160  | 69.2 | 19,160  | 70.5 | 19,170  |
|                      | 120 | 65.6 | 16,410  | 66.9 | 16,410  | 68.1 | 16,420  |
| <b>230' (70.1 m)</b> | 130 | 63.2 | 14,110  | 64.5 | 14,120  | 65.7 | 14,130  |
|                      | 140 | 60.8 | 12,170  | 62.1 | 12,170  | 63.3 | 12,180  |
|                      | 150 | 58.3 | 10,510  | 59.6 | 10,510  | 60.8 | 10,520  |
|                      | 160 | 55.8 | 9,070   | 57.1 | 9,070   | 58.2 | 9,080   |
|                      | 170 | 53.2 | 7,810   | 54.5 | 7,820   | 55.5 | 7,830   |
|                      | 180 | 50.5 | 6,710   | 51.7 | 6,720   | 52.8 | 6,730   |
|                      | 190 | 47.6 | 5,740   | 48.9 | 5,750   | 49.9 | 5,760   |
|                      | 200 | 44.7 | 4,880   | 45.9 | 4,880   | 46.9 | 4,900   |
|                      | 210 | 41.5 | 4,100   | 42.7 | 4,110   | 43.6 | 4,120   |
|                      | 220 | 38.2 | 3,420   | 39.4 | 3,420   | 40.2 | 3,440   |
|                      | 230 | 34.6 | 2,800   | 35.7 | 2,810   | 36.5 | 2,830   |



**WITH 77SI OFFSET TIP BOOM AND 102,000 POUND UPPER COUNTERWEIGHT  
#16HL JIB**

102,000 lb

360°

ANSI B 30.5

**40' (12.2 m) Jib length**

| Boom length          | Jib Radius (Feet) | 5.0 Deg offset |                 | 15.0 Deg offset |                 | 25.0 Deg offset |                 |
|----------------------|-------------------|----------------|-----------------|-----------------|-----------------|-----------------|-----------------|
|                      |                   | Boom Angle     | Rating (Pounds) | Boom Angle      | Rating (Pounds) | Boom Angle      | Rating (Pounds) |
|                      | 52                | 81.0           | 32,000*         | -               | -               | -               | -               |
|                      | 60                | 79.3           | 32,000*         | 80.7            | 32,000*         | -               | -               |
|                      | 70                | 77.2           | 32,000*         | 78.6            | 32,000*         | 79.9            | 32,000*         |
|                      | 80                | 75.1           | 31,700          | 76.5            | 31,700          | 77.7            | 30,780*         |
|                      | 90                | 73.0           | 26,310          | 74.4            | 26,320          | 75.6            | 26,330          |
|                      | 100               | 70.9           | 22,110          | 72.2            | 22,110          | 73.4            | 22,120          |
|                      | 110               | 68.7           | 18,740          | 70.0            | 18,740          | 71.2            | 18,750          |
|                      | 120               | 66.5           | 15,980          | 67.8            | 15,980          | 69.0            | 15,990          |
| <b>240' (73.2 m)</b> | 130               | 64.2           | 13,680          | 65.5            | 13,680          | 66.7            | 13,700          |
|                      | 140               | 61.9           | 11,730          | 63.2            | 11,740          | 64.3            | 11,750          |
|                      | 150               | 59.6           | 10,070          | 60.9            | 10,080          | 62.0            | 10,090          |
|                      | 160               | 57.2           | 8,630           | 58.4            | 8,640           | 59.5            | 8,650           |
|                      | 170               | 54.7           | 7,370           | 55.9            | 7,380           | 57.0            | 7,390           |
|                      | 180               | 52.1           | 6,270           | 53.4            | 6,270           | 54.4            | 6,290           |
|                      | 190               | 49.5           | 5,300           | 50.7            | 5,300           | 51.7            | 5,320           |
|                      | 200               | 46.7           | 4,430           | 47.9            | 4,440           | 48.9            | 4,450           |
|                      | 210               | 43.8           | 3,660           | 45.0            | 3,670           | 45.9            | 3,680           |
|                      | 220               | 40.8           | 2,960           | 41.9            | 2,970           | 42.8            | 2,980           |
|                      | 230               | 37.5           | 2,340           | 38.6            | 2,350           | 39.4            | 2,360           |

| Boom length          | Jib Radius (Feet) | 5.0 Deg offset |                 | 15.0 Deg offset |                 | 25.0 Deg offset |                 |
|----------------------|-------------------|----------------|-----------------|-----------------|-----------------|-----------------|-----------------|
|                      |                   | Boom Angle     | Rating (Pounds) | Boom Angle      | Rating (Pounds) | Boom Angle      | Rating (Pounds) |
|                      | 54                | 80.9           | 32,000*         | -               | -               | -               | -               |
|                      | 60                | 79.7           | 32,000*         | -               | -               | -               | -               |
|                      | 70                | 77.7           | 32,000*         | 79.0            | 32,000*         | 80.2            | 32,000*         |
|                      | 80                | 75.7           | 31,290          | 77.0            | 31,300          | 78.2            | 31,190*         |
|                      | 90                | 73.6           | 25,890          | 74.9            | 25,900          | 76.1            | 25,910          |
|                      | 100               | 71.6           | 21,690          | 72.8            | 21,690          | 74.0            | 21,700          |
|                      | 110               | 69.5           | 18,320          | 70.7            | 18,320          | 71.9            | 18,330          |
|                      | 120               | 67.3           | 15,560          | 68.6            | 15,560          | 69.7            | 15,570          |
| <b>250' (76.2 m)</b> | 130               | 65.2           | 13,260          | 66.4            | 13,260          | 67.6            | 13,270          |
|                      | 140               | 63.0           | 11,310          | 64.2            | 11,320          | 65.3            | 11,330          |
|                      | 150               | 60.7           | 9,650           | 62.0            | 9,650           | 63.1            | 9,660           |
|                      | 160               | 58.4           | 8,200           | 59.7            | 8,210           | 60.7            | 8,220           |
|                      | 170               | 56.1           | 6,950           | 57.3            | 6,950           | 58.3            | 6,960           |
|                      | 180               | 53.7           | 5,840           | 54.9            | 5,850           | 55.9            | 5,860           |
|                      | 190               | 51.2           | 4,860           | 52.3            | 4,860           | 53.3            | 4,880           |
|                      | 200               | 48.6           | 3,990           | 49.7            | 3,990           | 50.7            | 4,010           |
|                      | 210               | 45.9           | 3,210           | 47.0            | 3,220           | 47.9            | 3,230           |
|                      | 220               | 43.0           | 2,520           | 44.1            | 2,530           | 45.0            | 2,540           |
|                      | 230               | 40.0           | 1,890           | 41.1            | 1,900           | 41.9            | 1,920           |

**50' (15.2 m) Jib length**

| Boom length          | Jib Radius (Feet) | 5.0 Deg offset |                 | 15.0 Deg offset |                 | 25.0 Deg offset |                 |
|----------------------|-------------------|----------------|-----------------|-----------------|-----------------|-----------------|-----------------|
|                      |                   | Boom Angle     | Rating (Pounds) | Boom Angle      | Rating (Pounds) | Boom Angle      | Rating (Pounds) |
|                      | 38                | 80.7           | 32,000*         | -               | -               | -               | -               |
|                      | 40                | 80.1           | 31,900*         | -               | -               | -               | -               |
|                      | 50                | 76.8           | 30,710*         | 79.5            | 28,230*         | -               | -               |
|                      | 60                | 73.6           | 29,560*         | 76.2            | 27,410*         | 78.6            | 25,610*         |
| <b>130' (39.6 m)</b> | 70                | 70.2           | 28,590*         | 72.8            | 26,560*         | 75.2            | 23,760*         |
|                      | 80                | 66.8           | 27,570*         | 69.4            | 25,940*         | 71.7            | 21,930*         |
|                      | 90                | 63.3           | 26,760*         | 65.8            | 25,250*         | 68.1            | 20,400*         |
|                      | 100               | 59.6           | 26,020*         | 62.1            | 23,580*         | 64.4            | 19,140*         |
|                      | 110               | 55.8           | 23,430          | 58.3            | 21,960*         | 60.5            | 18,090*         |
|                      | 120               | 51.8           | 20,690          | 54.3            | 20,590*         | 56.4            | 17,170*         |
|                      | 130               | 47.6           | 18,410          | 50.0            | 18,420          | 52.0            | 16,340*         |

| Boom length          | Jib Radius (Feet) | 5.0 Deg offset |                 | 15.0 Deg offset |                 | 25.0 Deg offset |                 |
|----------------------|-------------------|----------------|-----------------|-----------------|-----------------|-----------------|-----------------|
|                      |                   | Boom Angle     | Rating (Pounds) | Boom Angle      | Rating (Pounds) | Boom Angle      | Rating (Pounds) |
|                      | 41                | 80.8           | 32,000*         | -               | -               | -               | -               |
|                      | 50                | 78.2           | 31,020*         | 80.6            | 28,330*         | -               | -               |
|                      | 60                | 75.2           | 29,930*         | 77.6            | 27,520*         | 79.8            | 25,640*         |
|                      | 70                | 72.3           | 29,000*         | 74.6            | 26,860*         | 76.8            | 24,550*         |
| <b>150' (45.7 m)</b> | 80                | 69.2           | 28,120*         | 71.6            | 26,210*         | 73.7            | 22,850*         |
|                      | 90                | 66.1           | 27,290*         | 68.4            | 25,650*         | 70.5            | 21,310*         |
|                      | 100               | 62.9           | 25,960          | 65.2            | 25,070*         | 67.3            | 20,000*         |
|                      | 110               | 59.7           | 22,610          | 61.9            | 22,620          | 63.9            | 18,900*         |
|                      | 120               | 56.3           | 19,880          | 58.5            | 19,880          | 60.4            | 17,980*         |
|                      | 130               | 52.7           | 17,590          | 54.9            | 17,600          | 56.8            | 17,160*         |
|                      | 140               | 49.0           | 15,670          | 51.1            | 15,680          | 53.0            | 15,690          |
|                      | 150               | 45.0           | 14,030          | 47.1            | 14,030          | 48.8            | 14,050          |

|                      |     |      |         |      |         |      |         |
|----------------------|-----|------|---------|------|---------|------|---------|
|                      | 39  | 80.9 | 32,000* | -    | -       | -    | -       |
|                      | 40  | 80.6 | 32,000* | -    | -       | -    | -       |
|                      | 50  | 77.5 | 30,800* | 80.1 | 28,220* | -    | -       |
|                      | 60  | 74.4 | 29,810* | 76.9 | 27,440* | 79.3 | 25,670* |
| <b>140' (42.7 m)</b> | 70  | 71.3 | 28,740* | 73.8 | 26,710* | 76.1 | 24,150* |
|                      | 80  | 68.1 | 27,890* | 70.5 | 26,030* | 72.8 | 22,350* |
|                      | 90  | 64.8 | 27,100* | 67.2 | 25,460* | 69.4 | 20,920* |
|                      | 100 | 61.4 | 26,290* | 63.8 | 24,300* | 65.9 | 19,600* |
|                      | 110 | 57.9 | 23,020  | 60.2 | 22,720* | 62.3 | 18,520* |
|                      | 120 | 54.2 | 20,280  | 56.5 | 20,290  | 58.6 | 17,570* |
|                      | 130 | 50.3 | 18,000  | 52.6 | 18,010  | 54.6 | 16,750* |
|                      | 140 | 46.3 | 16,080  | 48.5 | 16,080  | 50.4 | 16,100  |

|                      |     |      |         |      |         |      |         |
|----------------------|-----|------|---------|------|---------|------|---------|
|                      | 42  | 81.0 | 31,940* | -    | -       | -    | -       |
|                      | 50  | 78.7 | 31,170* | -    | -       | -    | -       |
|                      | 60  | 76.0 | 30,160* | 78.2 | 27,640* | 80.3 | 25,700* |
|                      | 70  | 73.1 | 29,170* | 75.4 | 26,930* | 77.5 | 24,960* |
|                      | 80  | 70.3 | 28,340* | 72.5 | 26,380* | 74.5 | 23,220* |
|                      | 90  | 67.3 | 27,610* | 69.5 | 25,740* | 71.5 | 21,690* |
| <b>160' (48.8 m)</b> | 100 | 64.3 | 25,550  | 66.5 | 25,190* | 68.5 | 20,400* |
|                      | 110 | 61.2 | 22,200  | 63.4 | 22,210  | 65.3 | 19,340* |
|                      | 120 | 58.1 | 19,450  | 60.2 | 19,460  | 62.1 | 18,340* |
|                      | 130 | 54.8 | 17,170  | 56.9 | 17,180  | 58.7 | 17,190  |
|                      | 140 | 51.3 | 15,240  | 53.4 | 15,250  | 55.2 | 15,260  |
|                      | 150 | 47.7 | 13,590  | 49.7 | 13,600  | 51.4 | 13,610  |
|                      | 160 | 43.8 | 12,180  | 45.8 | 12,190  | 47.4 | 12,200  |

3

**WITH 77SI OFFSET TIP BOOM AND 102,000 POUND UPPER COUNTERWEIGHT  
#16HL JIB**

102,000 lb

360°

ANSI B 30.5

**50' (15.2 m) Jib length**

| Boom length          | Jib Radius (Feet) | 5.0 Deg offset Boom Angle | 5.0 Deg offset Rating (Pounds) | 15.0 Deg offset Boom Angle | 15.0 Deg offset Rating (Pounds) | 25.0 Deg offset Boom Angle | 25.0 Deg offset Rating (Pounds) |
|----------------------|-------------------|---------------------------|--------------------------------|----------------------------|---------------------------------|----------------------------|---------------------------------|
|                      | 44                | 80.8                      | 31,790*                        | -                          | -                               | -                          | -                               |
|                      | 50                | 79.3                      | 31,190*                        | -                          | -                               | -                          | -                               |
|                      | 60                | 76.6                      | 30,230*                        | 78.8                       | 27,630*                         | 80.8                       | 25,710*                         |
|                      | 70                | 73.9                      | 29,400*                        | 76.1                       | 27,080*                         | 78.1                       | 25,240*                         |
|                      | 80                | 71.2                      | 28,560*                        | 73.3                       | 26,430*                         | 75.3                       | 23,620*                         |
|                      | 90                | 68.4                      | 27,740*                        | 70.5                       | 25,900*                         | 72.5                       | 22,120*                         |
| <b>170' (51.8 m)</b> | 100               | 65.6                      | 25,130                         | 67.7                       | 25,140                          | 69.6                       | 20,860*                         |
|                      | 110               | 62.7                      | 21,790                         | 64.7                       | 21,790                          | 66.6                       | 19,740*                         |
|                      | 120               | 59.7                      | 19,040                         | 61.7                       | 19,050                          | 63.6                       | 18,750*                         |
|                      | 130               | 56.6                      | 16,750                         | 58.6                       | 16,760                          | 60.4                       | 16,770                          |
|                      | 140               | 53.4                      | 14,820                         | 55.4                       | 14,830                          | 57.1                       | 14,840                          |
|                      | 150               | 50.1                      | 13,180                         | 52.0                       | 13,180                          | 53.7                       | 13,200                          |
|                      | 160               | 46.5                      | 11,750                         | 48.5                       | 11,760                          | 50.0                       | 11,770                          |
|                      | 170               | 42.8                      | 10,510                         | 44.7                       | 10,520                          | 46.2                       | 10,530                          |

|                      |     |      |         |      |         |      |         |
|----------------------|-----|------|---------|------|---------|------|---------|
|                      | 45  | 81.0 | 31,770* | -    | -       | -    | -       |
|                      | 50  | 79.7 | 31,230* | -    | -       | -    | -       |
|                      | 60  | 77.2 | 30,360* | 79.3 | 27,700* | -    | -       |
|                      | 70  | 74.6 | 29,520* | 76.7 | 27,140* | 78.6 | 25,220* |
|                      | 80  | 72.0 | 28,650* | 74.1 | 26,540* | 76.0 | 23,960* |
|                      | 90  | 69.4 | 27,990* | 71.4 | 25,950* | 73.3 | 22,470* |
| <b>180' (54.9 m)</b> | 100 | 66.7 | 24,760  | 68.7 | 24,770  | 70.5 | 21,210* |
|                      | 110 | 64.0 | 21,400  | 65.9 | 21,410  | 67.7 | 20,100* |
|                      | 120 | 61.1 | 18,660  | 63.1 | 18,670  | 64.9 | 18,680  |
|                      | 130 | 58.2 | 16,380  | 60.2 | 16,380  | 61.9 | 16,400  |
|                      | 140 | 55.2 | 14,440  | 57.2 | 14,450  | 58.8 | 14,460  |
|                      | 150 | 52.1 | 12,790  | 54.0 | 12,790  | 55.6 | 12,810  |
|                      | 160 | 48.9 | 11,360  | 50.7 | 11,360  | 52.3 | 11,380  |
|                      | 170 | 45.4 | 10,120  | 47.3 | 10,130  | 48.8 | 10,140  |
|                      | 180 | 41.8 | 9,030   | 43.6 | 9,040   | 45.0 | 9,060   |

|                      |     |      |         |      |         |      |         |
|----------------------|-----|------|---------|------|---------|------|---------|
|                      | 47  | 80.9 | 31,550* | -    | -       | -    | -       |
|                      | 50  | 80.2 | 31,380* | -    | -       | -    | -       |
|                      | 60  | 77.7 | 30,470* | 79.7 | 27,760* | -    | -       |
|                      | 70  | 75.3 | 29,610* | 77.3 | 27,170* | 79.1 | 25,220* |
|                      | 80  | 72.8 | 28,830* | 74.8 | 26,540* | 76.6 | 24,260* |
|                      | 90  | 70.3 | 28,090* | 72.2 | 26,080* | 74.0 | 22,820* |
| <b>190' (57.9 m)</b> | 100 | 67.7 | 24,350  | 69.7 | 24,360  | 71.4 | 21,520* |
|                      | 110 | 65.1 | 20,990  | 67.0 | 21,000  | 68.8 | 20,420* |
|                      | 120 | 62.5 | 18,240  | 64.3 | 18,240  | 66.0 | 18,260  |
|                      | 130 | 59.7 | 15,950  | 61.6 | 15,960  | 63.2 | 15,970  |
|                      | 140 | 56.9 | 14,010  | 58.8 | 14,020  | 60.4 | 14,030  |
|                      | 150 | 54.0 | 12,360  | 55.8 | 12,360  | 57.4 | 12,380  |
|                      | 160 | 50.9 | 10,920  | 52.8 | 10,930  | 54.3 | 10,950  |
|                      | 170 | 47.8 | 9,690   | 49.5 | 9,690   | 51.0 | 9,710   |
|                      | 180 | 44.4 | 8,590   | 46.2 | 8,600   | 47.6 | 8,620   |
|                      | 190 | 40.8 | 7,620   | 42.5 | 7,630   | 43.9 | 7,650   |

| Boom length          | Jib Radius (Feet) | 5.0 Deg offset Boom Angle | 5.0 Deg offset Rating (Pounds) | 15.0 Deg offset Boom Angle | 15.0 Deg offset Rating (Pounds) | 25.0 Deg offset Boom Angle | 25.0 Deg offset Rating (Pounds) |
|----------------------|-------------------|---------------------------|--------------------------------|----------------------------|---------------------------------|----------------------------|---------------------------------|
|                      | 49                | 80.8                      | 31,430*                        | -                          | -                               | -                          | -                               |
|                      | 50                | 80.6                      | 31,320*                        | -                          | -                               | -                          | -                               |
|                      | 60                | 78.2                      | 30,580*                        | 80.1                       | 27,800*                         | -                          | -                               |
|                      | 70                | 75.9                      | 29,760*                        | 77.8                       | 27,210*                         | 79.6                       | 25,200*                         |
|                      | 80                | 73.5                      | 29,010*                        | 75.4                       | 26,650*                         | 77.1                       | 24,550*                         |
|                      | 90                | 71.1                      | 28,130                         | 73.0                       | 26,090*                         | 74.7                       | 23,100*                         |
|                      | 100               | 68.7                      | 23,930                         | 70.5                       | 23,940                          | 72.2                       | 21,810*                         |
|                      | 110               | 66.2                      | 20,570                         | 68.0                       | 20,580                          | 69.7                       | 20,590                          |
| <b>200' (61.0 m)</b> | 120               | 63.6                      | 17,820                         | 65.5                       | 17,830                          | 67.1                       | 17,840                          |
|                      | 130               | 61.0                      | 15,530                         | 62.9                       | 15,530                          | 64.5                       | 15,550                          |
|                      | 140               | 58.4                      | 13,600                         | 60.2                       | 13,600                          | 61.7                       | 13,620                          |
|                      | 150               | 55.6                      | 11,940                         | 57.4                       | 11,950                          | 58.9                       | 11,960                          |
|                      | 160               | 52.8                      | 10,500                         | 54.5                       | 10,510                          | 56.0                       | 10,530                          |
|                      | 170               | 49.8                      | 9,250                          | 51.6                       | 9,260                           | 53.0                       | 9,270                           |
|                      | 180               | 46.7                      | 8,160                          | 48.4                       | 8,160                           | 49.8                       | 8,180                           |
|                      | 190               | 43.5                      | 7,190                          | 45.1                       | 7,200                           | 46.4                       | 7,220                           |
|                      | 200               | 40.0                      | 6,340                          | 41.6                       | 6,350                           | 42.8                       | 6,370                           |

|                      |     |      |         |      |         |      |         |
|----------------------|-----|------|---------|------|---------|------|---------|
|                      | 50  | 80.9 | 31,350* | -    | -       | -    | -       |
|                      | 60  | 78.7 | 30,550* | 80.5 | 27,740* | -    | -       |
|                      | 70  | 76.4 | 29,800* | 78.3 | 27,230* | 80.0 | 25,170* |
|                      | 80  | 74.2 | 29,040* | 76.0 | 26,620* | 77.7 | 24,770* |
|                      | 90  | 71.9 | 27,710  | 73.7 | 26,200* | 75.3 | 23,470* |
|                      | 100 | 69.5 | 23,510  | 71.3 | 23,520  | 72.9 | 22,180* |
|                      | 110 | 67.1 | 20,150  | 68.9 | 20,150  | 70.5 | 20,170  |
|                      | 120 | 64.7 | 17,400  | 66.5 | 17,410  | 68.1 | 17,420  |
| <b>210' (64.0 m)</b> | 130 | 62.3 | 15,100  | 64.0 | 15,110  | 65.6 | 15,120  |
|                      | 140 | 59.7 | 13,160  | 61.5 | 13,170  | 63.0 | 13,180  |
|                      | 150 | 57.1 | 11,500  | 58.9 | 11,510  | 60.3 | 11,520  |
|                      | 160 | 54.5 | 10,060  | 56.2 | 10,070  | 57.6 | 10,090  |
|                      | 170 | 51.7 | 8,820   | 53.4 | 8,830   | 54.8 | 8,840   |
|                      | 180 | 48.8 | 7,720   | 50.4 | 7,730   | 51.8 | 7,740   |
|                      | 190 | 45.8 | 6,750   | 47.4 | 6,750   | 48.7 | 6,770   |
|                      | 200 | 42.6 | 5,890   | 44.2 | 5,890   | 45.4 | 5,910   |
|                      | 210 | 39.1 | 5,120   | 40.7 | 5,130   | 41.8 | 5,150   |

|                      |     |      |         |      |         |      |         |
|----------------------|-----|------|---------|------|---------|------|---------|
|                      | 52  | 80.8 | 31,140* | -    | -       | -    | -       |
|                      | 60  | 79.1 | 30,600* | 80.9 | 27,680* | -    | -       |
|                      | 70  | 76.9 | 29,800* | 78.7 | 27,140* | 80.4 | 25,100* |
|                      | 80  | 74.8 | 29,070* | 76.5 | 26,710* | 78.1 | 24,800* |
|                      | 90  | 72.6 | 27,290  | 74.3 | 26,190* | 75.9 | 23,730* |
|                      | 100 | 70.3 | 23,100  | 72.0 | 23,110  | 73.6 | 22,420* |
|                      | 110 | 68.0 | 19,730  | 69.8 | 19,730  | 71.3 | 19,750  |
|                      | 120 | 65.7 | 16,980  | 67.4 | 16,980  | 69.0 | 17,000  |
| <b>220' (67.1 m)</b> | 130 | 63.4 | 14,680  | 65.1 | 14,690  | 66.6 | 14,700  |
|                      | 140 | 61.0 | 12,740  | 62.6 | 12,740  | 64.1 | 12,760  |
|                      | 150 | 58.5 | 11,080  | 60.2 | 11,080  | 61.6 | 11,100  |
|                      | 160 | 56.0 | 9,640   | 57.6 | 9,640   | 59.0 | 9,660   |
|                      | 170 | 53.4 | 8,380   | 55.0 | 8,390   | 56.3 | 8,400   |
|                      | 180 | 50.6 | 7,290   | 52.2 | 7,300   | 53.6 | 7,310   |
|                      | 190 | 47.8 | 6,310   | 49.4 | 6,320   | 50.7 | 6,330   |
|                      | 200 | 44.8 | 5,450   | 46.4 | 5,460   | 47.6 | 5,470   |
|                      | 210 | 41.7 | 4,680   | 43.2 | 4,690   | 44.4 | 4,700   |
|                      | 220 | 38.4 | 4,000   | 39.9 | 4,010   | 40.9 | 4,020   |

**WITH 77SI OFFSET TIP BOOM AND 102,000 POUND UPPER COUNTERWEIGHT  
#16HL JIB**

102,000 lb

360°

ANSI B 30.5

**50' (15.2 m) Jib length**

| Boom length          | Jib Radius (Feet) | 5.0 Deg offset |                 | 15.0 Deg offset |                 | 25.0 Deg offset |                 |
|----------------------|-------------------|----------------|-----------------|-----------------|-----------------|-----------------|-----------------|
|                      |                   | Boom Angle     | Rating (Pounds) | Boom Angle      | Rating (Pounds) | Boom Angle      | Rating (Pounds) |
|                      | 53                | 81.0           | 31,080*         | -               | -               | -               | -               |
|                      | 60                | 79.5           | 30,600*         | -               | -               | -               | -               |
|                      | 70                | 77.4           | 29,850*         | 79.1            | 27,190*         | 80.7            | 24,980*         |
|                      | 80                | 75.3           | 29,110*         | 77.0            | 26,710*         | 78.6            | 24,700*         |
|                      | 90                | 73.2           | 26,910          | 74.9            | 26,190*         | 76.4            | 23,990*         |
|                      | 100               | 71.0           | 22,710          | 72.7            | 22,720          | 74.2            | 22,730          |
|                      | 110               | 68.9           | 19,340          | 70.5            | 19,340          | 72.0            | 19,360          |
|                      | 120               | 66.7           | 16,580          | 68.3            | 16,580          | 69.8            | 16,600          |
| <b>230' (70.1 m)</b> | 130               | 64.4           | 14,280          | 66.0            | 14,290          | 67.5            | 14,300          |
|                      | 140               | 62.1           | 12,340          | 63.7            | 12,350          | 65.2            | 12,360          |
|                      | 150               | 59.8           | 10,680          | 61.4            | 10,690          | 62.8            | 10,700          |
|                      | 160               | 57.3           | 9,240           | 58.9            | 9,250           | 60.3            | 9,260           |
|                      | 170               | 54.9           | 7,980           | 56.4            | 7,990           | 57.8            | 8,000           |
|                      | 180               | 52.3           | 6,880           | 53.9            | 6,890           | 55.2            | 6,900           |
|                      | 190               | 49.7           | 5,910           | 51.2            | 5,920           | 52.5            | 5,930           |
|                      | 200               | 46.9           | 5,040           | 48.4            | 5,050           | 49.6            | 5,070           |
|                      | 210               | 44.0           | 4,270           | 45.5            | 4,280           | 46.6            | 4,290           |
|                      | 220               | 40.9           | 3,570           | 42.4            | 3,580           | 43.5            | 3,600           |
| 230                  | 37.6              | 2,960          | 39.1            | 2,970           | 40.1            | 2,990           |                 |

| Boom length          | Jib Radius (Feet) | 5.0 Deg offset |                 | 15.0 Deg offset |                 | 25.0 Deg offset |                 |
|----------------------|-------------------|----------------|-----------------|-----------------|-----------------|-----------------|-----------------|
|                      |                   | Boom Angle     | Rating (Pounds) | Boom Angle      | Rating (Pounds) | Boom Angle      | Rating (Pounds) |
|                      | 56                | 81.0           | 30,720*         | -               | -               | -               | -               |
|                      | 60                | 80.2           | 30,390*         | -               | -               | -               | -               |
|                      | 70                | 78.3           | 29,780*         | 79.9            | 27,030*         | -               | -               |
|                      | 80                | 76.3           | 29,170*         | 77.9            | 26,550*         | 79.4            | 24,540*         |
|                      | 90                | 74.3           | 26,080          | 75.9            | 26,080          | 77.4            | 24,260*         |
|                      | 100               | 72.4           | 21,870          | 73.9            | 21,880          | 75.3            | 21,890          |
|                      | 110               | 70.3           | 18,500          | 71.9            | 18,500          | 73.3            | 18,520          |
|                      | 120               | 68.3           | 15,740          | 69.8            | 15,740          | 71.2            | 15,750          |
| <b>250' (76.2 m)</b> | 130               | 66.2           | 13,440          | 67.8            | 13,440          | 69.1            | 13,450          |
|                      | 140               | 64.1           | 11,490          | 65.6            | 11,490          | 67.0            | 11,510          |
|                      | 150               | 62.0           | 9,820           | 63.5            | 9,830           | 64.8            | 9,840           |
|                      | 160               | 59.8           | 8,380           | 61.3            | 8,390           | 62.6            | 8,400           |
|                      | 170               | 57.5           | 7,120           | 59.0            | 7,130           | 60.3            | 7,140           |
|                      | 180               | 55.2           | 6,010           | 56.7            | 6,020           | 57.9            | 6,030           |
|                      | 190               | 52.8           | 5,040           | 54.3            | 5,040           | 55.5            | 5,060           |
|                      | 200               | 50.4           | 4,160           | 51.8            | 4,170           | 53.0            | 4,190           |
|                      | 210               | 47.9           | 3,390           | 49.3            | 3,390           | 50.4            | 3,410           |
|                      | 220               | 45.2           | 2,680           | 46.6            | 2,690           | 47.7            | 2,710           |
| 230                  | 42.4              | 2,060          | 43.8            | 2,070           | 44.8            | 2,090           |                 |

|                      |      |       |         |       |         |       |         |
|----------------------|------|-------|---------|-------|---------|-------|---------|
|                      | 55   | 80.9  | 30,840* | -     | -       | -     | -       |
|                      | 60   | 79.9  | 30,530* | -     | -       | -     | -       |
|                      | 70   | 77.9  | 29,880* | 79.5  | 27,100* | -     | -       |
|                      | 80   | 75.8  | 29,190* | 77.5  | 26,690* | 79.0  | 24,610* |
|                      | 90   | 73.8  | 26,490  | 75.4  | 26,250* | 76.9  | 24,230* |
|                      | 100  | 71.7  | 22,290  | 73.3  | 22,300  | 74.8  | 22,310  |
|                      | 110  | 69.6  | 18,920  | 71.2  | 18,920  | 72.7  | 18,940  |
|                      | 120  | 67.5  | 16,160  | 69.1  | 16,160  | 70.5  | 16,170  |
| <b>240' (73.2 m)</b> | 130  | 65.3  | 13,860  | 66.9  | 13,860  | 68.3  | 13,880  |
|                      | 140  | 63.1  | 11,910  | 64.7  | 11,920  | 66.1  | 11,930  |
|                      | 150  | 60.9  | 10,250  | 62.5  | 10,250  | 63.8  | 10,270  |
|                      | 160  | 58.6  | 8,800   | 60.1  | 8,810   | 61.5  | 8,830   |
|                      | 170  | 56.3  | 7,550   | 57.8  | 7,550   | 59.1  | 7,570   |
|                      | 180  | 53.8  | 6,440   | 55.3  | 6,450   | 56.6  | 6,460   |
|                      | 190  | 51.3  | 5,470   | 52.8  | 5,470   | 54.1  | 5,490   |
|                      | 200  | 48.7  | 4,600   | 50.2  | 4,600   | 51.4  | 4,620   |
|                      | 210  | 46.0  | 3,820   | 47.5  | 3,830   | 48.6  | 3,850   |
|                      | 220  | 43.2  | 3,130   | 44.6  | 3,140   | 45.7  | 3,160   |
| 230                  | 40.2 | 2,500 | 41.6    | 2,510 | 42.6    | 2,530 |         |
| 240                  | 37.0 | 1,940 | 38.3    | 1,950 | 39.3    | 1,970 |         |

**60' (18.3 m) Jib length**

| Boom length          | Jib Radius (Feet) | 5.0 Deg offset |                 | 15.0 Deg offset |                 | 25.0 Deg offset |                 |
|----------------------|-------------------|----------------|-----------------|-----------------|-----------------|-----------------|-----------------|
|                      |                   | Boom Angle     | Rating (Pounds) | Boom Angle      | Rating (Pounds) | Boom Angle      | Rating (Pounds) |
|                      | 43                | 80.9           | 28,920*         | -               | -               | -               | -               |
|                      | 50                | 79.0           | 28,190*         | -               | -               | -               | -               |
|                      | 60                | 76.2           | 27,190*         | 78.9            | 24,740*         | -               | -               |
|                      | 70                | 73.4           | 26,160*         | 76.1            | 24,040*         | 78.6            | 21,560*         |
| <b>150' (45.7 m)</b> | 80                | 70.5           | 25,280*         | 73.2            | 23,380*         | 75.7            | 20,000*         |
|                      | 90                | 67.6           | 24,480*         | 70.2            | 22,750*         | 72.7            | 18,670*         |
|                      | 100               | 64.6           | 23,790*         | 67.2            | 21,830*         | 69.6            | 17,500*         |
|                      | 110               | 61.5           | 22,780          | 64.1            | 20,370*         | 66.5            | 16,520*         |
|                      | 120               | 58.3           | 20,040          | 60.9            | 19,080*         | 63.2            | 15,660*         |
|                      | 130               | 55.0           | 17,760          | 57.6            | 17,770          | 59.8            | 14,880*         |
|                      | 140               | 51.6           | 15,830          | 54.1            | 15,840          | 56.3            | 14,230*         |
|                      | 150               | 47.9           | 14,180          | 50.4            | 14,190          | 52.5            | 13,700*         |

| Boom length          | Jib Radius (Feet) | 5.0 Deg offset |                 | 15.0 Deg offset |                 | 25.0 Deg offset |                 |
|----------------------|-------------------|----------------|-----------------|-----------------|-----------------|-----------------|-----------------|
|                      |                   | Boom Angle     | Rating (Pounds) | Boom Angle      | Rating (Pounds) | Boom Angle      | Rating (Pounds) |
|                      | 45                | 80.8           | 28,710*         | -               | -               | -               | -               |
|                      | 50                | 79.5           | 28,220*         | -               | -               | -               | -               |
|                      | 60                | 76.8           | 27,220*         | 79.4            | 24,690*         | -               | -               |
|                      | 70                | 74.1           | 26,330*         | 76.7            | 24,110*         | 79.2            | 21,790*         |
|                      | 80                | 71.4           | 25,470*         | 74.0            | 23,480*         | 76.4            | 20,320*         |
|                      | 90                | 68.6           | 24,710*         | 71.2            | 22,890*         | 73.5            | 18,950*         |
| <b>160' (48.8 m)</b> | 100               | 65.8           | 24,020*         | 68.3            | 22,290*         | 70.6            | 17,790*         |
|                      | 110               | 62.9           | 22,370          | 65.4            | 20,920*         | 67.7            | 16,820*         |
|                      | 120               | 59.9           | 19,620          | 62.4            | 19,630          | 64.6            | 15,980*         |
|                      | 130               | 56.8           | 17,330          | 59.3            | 17,340          | 61.4            | 15,170*         |
|                      | 140               | 53.6           | 15,410          | 56.0            | 15,420          | 58.1            | 14,540*         |
|                      | 150               | 50.3           | 13,760          | 52.7            | 13,770          | 54.7            | 13,780          |
|                      | 160               | 46.7           | 12,330          | 49.1            | 12,340          | 51.0            | 12,360          |



**WITH 77SI OFFSET TIP BOOM AND 102,000 POUND UPPER COUNTERWEIGHT  
#16HL JIB**

102,000 lb

360°

ANSI B 30.5

**60' (18.3 m) Jib length**

| Boom length          | Jib Radius (Feet) | 5.0 Deg offset Boom Angle | 5.0 Deg offset Rating (Pounds) | 15.0 Deg offset Boom Angle | 15.0 Deg offset Rating (Pounds) | 25.0 Deg offset Boom Angle | 25.0 Deg offset Rating (Pounds) |
|----------------------|-------------------|---------------------------|--------------------------------|----------------------------|---------------------------------|----------------------------|---------------------------------|
|                      | 46                | 81.0                      | 28,710*                        | -                          | -                               | -                          | -                               |
|                      | 50                | 79.9                      | 28,370*                        | -                          | -                               | -                          | -                               |
|                      | 60                | 77.4                      | 27,410*                        | 79.9                       | 24,820*                         | -                          | -                               |
|                      | 70                | 74.8                      | 26,500*                        | 77.3                       | 24,100*                         | 79.6                       | 22,130*                         |
|                      | 80                | 72.2                      | 25,670*                        | 74.7                       | 23,590*                         | 77.0                       | 20,560*                         |
|                      | 90                | 69.6                      | 24,880*                        | 72.0                       | 22,940*                         | 74.3                       | 19,210*                         |
| <b>170' (51.8 m)</b> | 100               | 66.9                      | 24,210*                        | 69.3                       | 22,410*                         | 71.6                       | 18,150*                         |
|                      | 110               | 64.2                      | 21,950                         | 66.6                       | 21,450*                         | 68.8                       | 17,160*                         |
|                      | 120               | 61.4                      | 19,210                         | 63.7                       | 19,220                          | 65.9                       | 16,270*                         |
|                      | 130               | 58.5                      | 16,920                         | 60.8                       | 16,930                          | 62.9                       | 15,510*                         |
|                      | 140               | 55.5                      | 14,990                         | 57.8                       | 15,000                          | 59.8                       | 14,810*                         |
|                      | 150               | 52.3                      | 13,340                         | 54.6                       | 13,340                          | 56.6                       | 13,360                          |
|                      | 160               | 49.1                      | 11,910                         | 51.3                       | 11,910                          | 53.3                       | 11,930                          |
|                      | 170               | 45.6                      | 10,670                         | 47.9                       | 10,680                          | 49.7                       | 10,700                          |

|                      |     |      |         |      |         |      |         |
|----------------------|-----|------|---------|------|---------|------|---------|
|                      | 48  | 80.8 | 28,530* | -    | -       | -    | -       |
|                      | 50  | 80.4 | 28,420* | -    | -       | -    | -       |
|                      | 60  | 77.9 | 27,470* | 80.3 | 24,840* | -    | -       |
|                      | 70  | 75.5 | 26,670* | 77.9 | 24,210* | 80.1 | 22,280* |
|                      | 80  | 73.0 | 25,850* | 75.4 | 23,600* | 77.6 | 20,810* |
|                      | 90  | 70.5 | 25,060* | 72.8 | 23,080* | 75.0 | 19,570* |
| <b>180' (54.9 m)</b> | 100 | 67.9 | 24,410* | 70.3 | 22,540* | 72.4 | 18,400* |
|                      | 110 | 65.3 | 21,570  | 67.6 | 21,580  | 69.7 | 17,400* |
|                      | 120 | 62.7 | 18,830  | 64.9 | 18,830  | 67.0 | 16,570* |
|                      | 130 | 59.9 | 16,540  | 62.2 | 16,550  | 64.2 | 15,750* |
|                      | 140 | 57.1 | 14,600  | 59.3 | 14,610  | 61.3 | 14,630  |
|                      | 150 | 54.2 | 12,950  | 56.4 | 12,950  | 58.3 | 12,970  |
|                      | 160 | 51.1 | 11,520  | 53.3 | 11,530  | 55.2 | 11,550  |
|                      | 170 | 48.0 | 10,280  | 50.1 | 10,280  | 51.9 | 10,300  |
|                      | 180 | 44.6 | 9,180   | 46.7 | 9,190   | 48.4 | 9,210   |

|                      |     |      |         |      |         |      |         |
|----------------------|-----|------|---------|------|---------|------|---------|
|                      | 49  | 81.0 | 28,420* | -    | -       | -    | -       |
|                      | 50  | 80.8 | 28,350* | -    | -       | -    | -       |
|                      | 60  | 78.4 | 27,480* | 80.7 | 24,760* | -    | -       |
|                      | 70  | 76.1 | 26,720* | 78.4 | 24,200* | 80.5 | 22,240* |
|                      | 80  | 73.7 | 25,940* | 76.0 | 23,700* | 78.1 | 21,050* |
|                      | 90  | 71.3 | 25,200* | 73.6 | 23,090* | 75.6 | 19,790* |
| <b>190' (57.9 m)</b> | 100 | 68.9 | 24,520  | 71.1 | 22,630* | 73.2 | 18,670* |
|                      | 110 | 66.4 | 21,160  | 68.6 | 21,170  | 70.6 | 17,700* |
|                      | 120 | 63.8 | 18,400  | 66.0 | 18,410  | 68.0 | 16,790* |
|                      | 130 | 61.2 | 16,120  | 63.4 | 16,130  | 65.4 | 16,000* |
|                      | 140 | 58.6 | 14,180  | 60.7 | 14,180  | 62.7 | 14,200  |
|                      | 150 | 55.8 | 12,520  | 58.0 | 12,530  | 59.8 | 12,540  |
|                      | 160 | 53.0 | 11,090  | 55.1 | 11,100  | 56.9 | 11,120  |
|                      | 170 | 50.0 | 9,840   | 52.1 | 9,850   | 53.9 | 9,870   |
|                      | 180 | 46.9 | 8,750   | 49.0 | 8,750   | 50.7 | 8,770   |
|                      | 190 | 43.7 | 7,780   | 45.7 | 7,790   | 47.3 | 7,810   |

| Boom length          | Jib Radius (Feet) | 5.0 Deg offset Boom Angle | 5.0 Deg offset Rating (Pounds) | 15.0 Deg offset Boom Angle | 15.0 Deg offset Rating (Pounds) | 25.0 Deg offset Boom Angle | 25.0 Deg offset Rating (Pounds) |
|----------------------|-------------------|---------------------------|--------------------------------|----------------------------|---------------------------------|----------------------------|---------------------------------|
|                      | 51                | 80.9                      | 28,250*                        | -                          | -                               | -                          | -                               |
|                      | 60                | 78.9                      | 27,540*                        | -                          | -                               | -                          | -                               |
|                      | 70                | 76.6                      | 26,750*                        | 78.8                       | 24,200*                         | 80.9                       | 22,160*                         |
|                      | 80                | 74.4                      | 26,060*                        | 76.5                       | 23,690*                         | 78.6                       | 21,350*                         |
|                      | 90                | 72.0                      | 25,320*                        | 74.2                       | 23,160*                         | 76.2                       | 20,030*                         |
|                      | 100               | 69.7                      | 24,110                         | 71.9                       | 22,720*                         | 73.9                       | 18,950*                         |
| <b>200' (61.0 m)</b> | 110               | 67.3                      | 20,740                         | 69.5                       | 20,750                          | 71.4                       | 17,890*                         |
|                      | 120               | 64.9                      | 17,990                         | 67.0                       | 18,000                          | 69.0                       | 17,080*                         |
|                      | 130               | 62.5                      | 15,690                         | 64.6                       | 15,700                          | 66.4                       | 15,720                          |
|                      | 140               | 59.9                      | 13,760                         | 62.0                       | 13,770                          | 63.9                       | 13,780                          |
|                      | 150               | 57.3                      | 12,100                         | 59.4                       | 12,110                          | 61.2                       | 12,130                          |
|                      | 160               | 54.6                      | 10,660                         | 56.7                       | 10,670                          | 58.5                       | 10,690                          |
|                      | 170               | 51.9                      | 9,420                          | 53.9                       | 9,430                           | 55.6                       | 9,450                           |
|                      | 180               | 49.0                      | 8,320                          | 51.0                       | 8,330                           | 52.6                       | 8,350                           |
|                      | 190               | 45.9                      | 7,350                          | 47.9                       | 7,360                           | 49.5                       | 7,370                           |
|                      | 200               | 42.7                      | 6,500                          | 44.7                       | 6,510                           | 46.2                       | 6,530                           |

|                      |     |      |         |      |         |      |         |
|----------------------|-----|------|---------|------|---------|------|---------|
|                      | 53  | 80.8 | 28,110* | -    | -       | -    | -       |
|                      | 60  | 79.3 | 27,580* | -    | -       | -    | -       |
|                      | 70  | 77.1 | 26,900* | 79.2 | 24,200* | -    | -       |
|                      | 80  | 74.9 | 26,160* | 77.0 | 23,670* | 79.0 | 21,580* |
|                      | 90  | 72.7 | 25,440* | 74.8 | 23,200* | 76.8 | 20,280* |
|                      | 100 | 70.5 | 23,690  | 72.6 | 22,740* | 74.5 | 19,130* |
|                      | 110 | 68.2 | 20,320  | 70.3 | 20,320  | 72.2 | 18,220* |
|                      | 120 | 65.9 | 17,570  | 68.0 | 17,580  | 69.8 | 17,270* |
| <b>210' (64.0 m)</b> | 130 | 63.6 | 15,270  | 65.6 | 15,280  | 67.4 | 15,290  |
|                      | 140 | 61.2 | 13,330  | 63.2 | 13,340  | 65.0 | 13,350  |
|                      | 150 | 58.7 | 11,670  | 60.7 | 11,670  | 62.4 | 11,690  |
|                      | 160 | 56.1 | 10,240  | 58.1 | 10,250  | 59.9 | 10,260  |
|                      | 170 | 53.5 | 8,980   | 55.5 | 8,990   | 57.2 | 9,010   |
|                      | 180 | 50.8 | 7,880   | 52.8 | 7,890   | 54.4 | 7,910   |
|                      | 190 | 48.0 | 6,910   | 49.9 | 6,920   | 51.5 | 6,940   |
|                      | 200 | 45.0 | 6,050   | 46.9 | 6,060   | 48.4 | 6,080   |
|                      | 210 | 41.9 | 5,280   | 43.7 | 5,290   | 45.2 | 5,310   |

|                      |     |      |         |      |         |      |         |
|----------------------|-----|------|---------|------|---------|------|---------|
|                      | 54  | 80.9 | 27,970* | -    | -       | -    | -       |
|                      | 60  | 79.7 | 27,630* | -    | -       | -    | -       |
|                      | 70  | 77.6 | 26,930* | 79.6 | 24,190* | -    | -       |
|                      | 80  | 75.5 | 26,250* | 77.5 | 23,760* | 79.4 | 21,710* |
|                      | 90  | 73.4 | 25,540* | 75.4 | 23,270* | 77.3 | 20,450* |
|                      | 100 | 71.2 | 23,270  | 73.2 | 22,810* | 75.1 | 19,380* |
|                      | 110 | 69.0 | 19,900  | 71.0 | 19,900  | 72.9 | 18,380* |
|                      | 120 | 66.8 | 17,150  | 68.8 | 17,150  | 70.6 | 17,170  |
| <b>220' (67.1 m)</b> | 130 | 64.6 | 14,850  | 66.5 | 14,860  | 68.3 | 14,870  |
|                      | 140 | 62.3 | 12,900  | 64.2 | 12,910  | 66.0 | 12,930  |
|                      | 150 | 59.9 | 11,240  | 61.9 | 11,250  | 63.6 | 11,260  |
|                      | 160 | 57.5 | 9,800   | 59.4 | 9,810   | 61.1 | 9,820   |
|                      | 170 | 55.0 | 8,550   | 56.9 | 8,560   | 58.6 | 8,580   |
|                      | 180 | 52.5 | 7,450   | 54.4 | 7,460   | 56.0 | 7,470   |
|                      | 190 | 49.8 | 6,480   | 51.7 | 6,490   | 53.2 | 6,500   |
|                      | 200 | 47.1 | 5,610   | 48.9 | 5,620   | 50.4 | 5,640   |
|                      | 210 | 44.2 | 4,840   | 46.0 | 4,850   | 47.4 | 4,870   |
|                      | 220 | 41.1 | 4,140   | 42.9 | 4,150   | 44.2 | 4,170   |

**WITH 77SI OFFSET TIP BOOM AND 102,000 POUND UPPER COUNTERWEIGHT  
#16HL JIB**

102,000 lb

360°

ANSI B 30.5

**60' (18.3 m) Jib length**

| Boom length          | Jib Radius (Feet) | 5.0 Deg offset |                 | 15.0 Deg offset |                 | 25.0 Deg offset |                 |
|----------------------|-------------------|----------------|-----------------|-----------------|-----------------|-----------------|-----------------|
|                      |                   | Boom Angle     | Rating (Pounds) | Boom Angle      | Rating (Pounds) | Boom Angle      | Rating (Pounds) |
|                      | 56                | 80.8           | 27,840*         | -               | -               | -               | -               |
|                      | 60                | 80.0           | 27,570*         | -               | -               | -               | -               |
|                      | 70                | 78.0           | 26,840*         | 80.0            | 24,130*         | -               | -               |
|                      | 80                | 76.0           | 26,230*         | 78.0            | 23,660*         | 79.8            | 21,720*         |
|                      | 90                | 74.0           | 25,540*         | 75.9            | 23,230*         | 77.7            | 20,700*         |
|                      | 100               | 71.9           | 22,880          | 73.8            | 22,800*         | 75.6            | 19,610*         |
|                      | 110               | 69.8           | 19,510          | 71.7            | 19,510          | 73.5            | 18,610*         |
|                      | 120               | 67.7           | 16,760          | 69.6            | 16,760          | 71.3            | 16,780          |
| <b>230' (70.1 m)</b> | 130               | 65.5           | 14,460          | 67.4            | 14,460          | 69.1            | 14,480          |
|                      | 140               | 63.3           | 12,510          | 65.2            | 12,520          | 66.9            | 12,530          |
|                      | 150               | 61.1           | 10,850          | 62.9            | 10,850          | 64.6            | 10,870          |
|                      | 160               | 58.8           | 9,400           | 60.6            | 9,410           | 62.3            | 9,430           |
|                      | 170               | 56.4           | 8,150           | 58.3            | 8,150           | 59.9            | 8,170           |
|                      | 180               | 54.0           | 7,050           | 55.8            | 7,060           | 57.4            | 7,070           |
|                      | 190               | 51.5           | 6,070           | 53.3            | 6,080           | 54.8            | 6,090           |
|                      | 200               | 48.9           | 5,200           | 50.7            | 5,210           | 52.1            | 5,220           |
|                      | 210               | 46.2           | 4,430           | 47.9            | 4,440           | 49.4            | 4,460           |
|                      | 220               | 43.3           | 3,730           | 45.1            | 3,740           | 46.4            | 3,760           |
| 230                  | 40.3              | 3,100          | 42.0            | 3,110           | 43.3            | 3,140           |                 |

| Boom length          | Jib Radius (Feet) | 5.0 Deg offset |                 | 15.0 Deg offset |                 | 25.0 Deg offset |                 |
|----------------------|-------------------|----------------|-----------------|-----------------|-----------------|-----------------|-----------------|
|                      |                   | Boom Angle     | Rating (Pounds) | Boom Angle      | Rating (Pounds) | Boom Angle      | Rating (Pounds) |
|                      | 59                | 80.9           | 27,460*         | -               | -               | -               | -               |
|                      | 60                | 80.7           | 27,450*         | -               | -               | -               | -               |
|                      | 70                | 78.8           | 26,780*         | 80.7            | 23,960*         | -               | -               |
|                      | 80                | 76.9           | 26,180*         | 78.8            | 23,590*         | 80.5            | 21,510*         |
|                      | 90                | 75.0           | 25,570*         | 76.9            | 23,140*         | 78.6            | 21,100*         |
|                      | 100               | 73.1           | 22,040          | 74.9            | 22,050          | 76.6            | 20,000*         |
|                      | 110               | 71.2           | 18,670          | 73.0            | 18,670          | 74.6            | 18,690          |
|                      | 120               | 69.2           | 15,900          | 71.0            | 15,910          | 72.6            | 15,930          |
| <b>250' (76.2 m)</b> | 130               | 67.2           | 13,600          | 69.0            | 13,610          | 70.6            | 13,630          |
|                      | 140               | 65.2           | 11,660          | 66.9            | 11,660          | 68.5            | 11,680          |
|                      | 150               | 63.1           | 9,990           | 64.9            | 10,000          | 66.4            | 10,010          |
|                      | 160               | 61.0           | 8,550           | 62.8            | 8,550           | 64.3            | 8,570           |
|                      | 170               | 58.9           | 7,280           | 60.6            | 7,290           | 62.1            | 7,310           |
|                      | 180               | 56.7           | 6,170           | 58.4            | 6,180           | 59.9            | 6,200           |
|                      | 190               | 54.4           | 5,200           | 56.1            | 5,210           | 57.6            | 5,220           |
|                      | 200               | 52.1           | 4,320           | 53.8            | 4,330           | 55.2            | 4,350           |
|                      | 210               | 49.7           | 3,540           | 51.3            | 3,550           | 52.7            | 3,570           |
|                      | 220               | 47.2           | 2,850           | 48.8            | 2,860           | 50.2            | 2,870           |
| 230                  | 44.6              | 2,210          | 46.2            | 2,220           | 47.5            | 2,240           |                 |

|                      |      |       |         |       |         |       |         |
|----------------------|------|-------|---------|-------|---------|-------|---------|
|                      | 57   | 81.0  | 27,710* | -     | -       | -     | -       |
|                      | 60   | 80.4  | 27,520* | -     | -       | -     | -       |
|                      | 70   | 78.4  | 26,860* | 80.3  | 24,120* | -     | -       |
|                      | 80   | 76.5  | 26,200* | 78.4  | 23,660* | 80.2  | 21,650* |
|                      | 90   | 74.5  | 25,590* | 76.4  | 23,190* | 78.2  | 20,910* |
|                      | 100  | 72.5  | 22,460  | 74.4  | 22,470  | 76.1  | 19,810* |
|                      | 110  | 70.5  | 19,090  | 72.4  | 19,090  | 74.1  | 18,820* |
|                      | 120  | 68.5  | 16,330  | 70.3  | 16,330  | 72.0  | 16,350  |
| <b>240' (73.2 m)</b> | 130  | 66.4  | 14,030  | 68.2  | 14,030  | 69.9  | 14,050  |
|                      | 140  | 64.3  | 12,080  | 66.1  | 12,090  | 67.8  | 12,100  |
|                      | 150  | 62.1  | 10,410  | 63.9  | 10,420  | 65.6  | 10,440  |
|                      | 160  | 59.9  | 8,970   | 61.7  | 8,980   | 63.3  | 8,990   |
|                      | 170  | 57.7  | 7,720   | 59.5  | 7,730   | 61.0  | 7,740   |
|                      | 180  | 55.4  | 6,610   | 57.2  | 6,620   | 58.7  | 6,640   |
|                      | 190  | 53.0  | 5,630   | 54.8  | 5,630   | 56.3  | 5,650   |
|                      | 200  | 50.6  | 4,760   | 52.3  | 4,770   | 53.7  | 4,790   |
|                      | 210  | 48.0  | 3,990   | 49.7  | 4,000   | 51.1  | 4,010   |
|                      | 220  | 45.4  | 3,280   | 47.0  | 3,290   | 48.4  | 3,310   |
| 230                  | 42.6 | 2,660 | 44.2    | 2,670 | 45.5    | 2,690 |         |
| 240                  | 39.6 | 2,100 | 41.2    | 2,110 | 42.5    | 2,130 |         |

**70' (21.3 m) Jib length**

| Boom length          | Jib Radius (Feet) | 5.0 Deg offset |                 | 15.0 Deg offset |                 | 25.0 Deg offset |                 |
|----------------------|-------------------|----------------|-----------------|-----------------|-----------------|-----------------|-----------------|
|                      |                   | Boom Angle     | Rating (Pounds) | Boom Angle      | Rating (Pounds) | Boom Angle      | Rating (Pounds) |
|                      | 50                | 81.0           | 21,370*         | -               | -               | -               | -               |
|                      | 60                | 78.6           | 20,590*         | -               | -               | -               | -               |
|                      | 70                | 76.3           | 19,880*         | 78.9            | 17,820*         | -               | -               |
|                      | 80                | 73.9           | 19,250*         | 76.6            | 17,310*         | 79.1            | 15,880*         |
|                      | 90                | 71.5           | 18,560*         | 74.1            | 16,840*         | 76.6            | 15,420*         |
|                      | 100               | 69.1           | 18,010*         | 71.7            | 16,440*         | 74.1            | 14,990*         |
| <b>180' (54.9 m)</b> | 110               | 66.6           | 17,440*         | 69.2            | 15,960*         | 71.6            | 14,640*         |
|                      | 120               | 64.0           | 16,930*         | 66.6            | 15,480*         | 69.0            | 14,260*         |
|                      | 130               | 61.4           | 16,440*         | 64.0            | 15,000*         | 66.3            | 13,730*         |
|                      | 140               | 58.8           | 14,740          | 61.3            | 14,640*         | 63.6            | 13,120*         |
|                      | 150               | 56.0           | 13,080          | 58.5            | 13,090          | 60.8            | 12,580*         |
|                      | 160               | 53.2           | 11,640          | 55.7            | 11,650          | 57.8            | 11,670          |
|                      | 170               | 50.2           | 10,400          | 52.7            | 10,410          | 54.8            | 10,430          |
|                      | 180               | 47.1           | 9,310           | 49.5            | 9,320           | 51.6            | 9,340           |



**WITH 77SI OFFSET TIP BOOM AND 102,000 POUND UPPER COUNTERWEIGHT  
#16HL JIB**

102,000 lb

360°

ANSI B 30.5

**70' (21.3 m) Jib length**

| Boom length          | Jib Radius (Feet) | 5.0 Deg offset Boom Angle | 5.0 Deg offset Rating (Pounds) | 15.0 Deg offset Boom Angle | 15.0 Deg offset Rating (Pounds) | 25.0 Deg offset Boom Angle | 25.0 Deg offset Rating (Pounds) |
|----------------------|-------------------|---------------------------|--------------------------------|----------------------------|---------------------------------|----------------------------|---------------------------------|
|                      | 52                | 80.9                      | 21,300*                        | -                          | -                               | -                          | -                               |
|                      | 60                | 79.1                      | 20,740*                        | -                          | -                               | -                          | -                               |
|                      | 70                | 76.8                      | 19,950*                        | 79.4                       | 17,910*                         | -                          | -                               |
|                      | 80                | 74.5                      | 19,320*                        | 77.1                       | 17,350*                         | 79.5                       | 15,870*                         |
|                      | 90                | 72.2                      | 18,740*                        | 74.8                       | 16,890*                         | 77.2                       | 15,440*                         |
|                      | 100               | 69.9                      | 18,130*                        | 72.4                       | 16,510*                         | 74.8                       | 15,020*                         |
| <b>190' (57.9 m)</b> | 110               | 67.5                      | 17,580*                        | 70.0                       | 16,110*                         | 72.3                       | 14,680*                         |
|                      | 120               | 65.1                      | 17,080*                        | 67.6                       | 15,600*                         | 69.9                       | 14,360*                         |
|                      | 130               | 62.6                      | 16,240                         | 65.1                       | 15,130*                         | 67.3                       | 13,960*                         |
|                      | 140               | 60.1                      | 14,310                         | 62.6                       | 14,320                          | 64.8                       | 13,320*                         |
|                      | 150               | 57.5                      | 12,650                         | 59.9                       | 12,660                          | 62.1                       | 12,680                          |
|                      | 160               | 54.8                      | 11,220                         | 57.2                       | 11,230                          | 59.3                       | 11,250                          |
|                      | 170               | 52.1                      | 9,970                          | 54.4                       | 9,980                           | 56.5                       | 10,000                          |
|                      | 180               | 49.2                      | 8,870                          | 51.5                       | 8,880                           | 53.5                       | 8,900                           |
|                      | 190               | 46.1                      | 7,910                          | 48.4                       | 7,920                           | 50.4                       | 7,940                           |

|                      |     |      |         |      |         |      |         |
|----------------------|-----|------|---------|------|---------|------|---------|
|                      | 53  | 81.0 | 21,240* | -    | -       | -    | -       |
|                      | 60  | 79.5 | 20,790* | -    | -       | -    | -       |
|                      | 70  | 77.3 | 20,110* | 79.8 | 17,920* | -    | -       |
|                      | 80  | 75.1 | 19,390* | 77.6 | 17,400* | 79.9 | 15,860* |
|                      | 90  | 72.9 | 18,830* | 75.4 | 16,940* | 77.7 | 15,520* |
|                      | 100 | 70.7 | 18,230* | 73.1 | 16,580* | 75.4 | 15,120* |
| <b>200' (61.0 m)</b> | 110 | 68.4 | 17,700* | 70.8 | 16,130* | 73.1 | 14,730* |
|                      | 120 | 66.1 | 17,210* | 68.5 | 15,720* | 70.7 | 14,420* |
|                      | 130 | 63.7 | 15,830  | 66.1 | 15,320* | 68.3 | 14,100* |
|                      | 140 | 61.3 | 13,900  | 63.7 | 13,910  | 65.8 | 13,550* |
|                      | 150 | 58.9 | 12,240  | 61.2 | 12,240  | 63.3 | 12,260  |
|                      | 160 | 56.3 | 10,800  | 58.7 | 10,810  | 60.7 | 10,820  |
|                      | 170 | 53.7 | 9,550   | 56.0 | 9,560   | 58.0 | 9,580   |
|                      | 180 | 51.0 | 8,450   | 53.3 | 8,460   | 55.2 | 8,480   |
|                      | 190 | 48.2 | 7,480   | 50.4 | 7,490   | 52.3 | 7,510   |
|                      | 200 | 45.2 | 6,620   | 47.4 | 6,630   | 49.2 | 6,650   |

|                      |     |      |         |      |         |      |         |
|----------------------|-----|------|---------|------|---------|------|---------|
|                      | 55  | 80.9 | 21,110* | -    | -       | -    | -       |
|                      | 60  | 79.9 | 20,840* | -    | -       | -    | -       |
|                      | 70  | 77.8 | 20,100* | 80.2 | 17,940* | -    | -       |
|                      | 80  | 75.7 | 19,530* | 78.0 | 17,440* | 80.3 | 15,840* |
|                      | 90  | 73.5 | 18,900* | 75.9 | 17,040* | 78.1 | 15,490* |
|                      | 100 | 71.4 | 18,420* | 73.7 | 16,630* | 75.9 | 15,130* |
|                      | 110 | 69.2 | 17,850* | 71.6 | 16,200* | 73.7 | 14,760* |
|                      | 120 | 67.0 | 17,380* | 69.3 | 15,860* | 71.5 | 14,470* |
| <b>210' (64.0 m)</b> | 130 | 64.8 | 15,410  | 67.1 | 15,400* | 69.2 | 14,160* |
|                      | 140 | 62.5 | 13,460  | 64.7 | 13,470  | 66.8 | 13,490  |
|                      | 150 | 60.1 | 11,800  | 62.4 | 11,810  | 64.4 | 11,830  |
|                      | 160 | 57.7 | 10,370  | 59.9 | 10,380  | 61.9 | 10,400  |
|                      | 170 | 55.2 | 9,110   | 57.4 | 9,120   | 59.4 | 9,140   |
|                      | 180 | 52.7 | 8,010   | 54.9 | 8,020   | 56.8 | 8,040   |
|                      | 190 | 50.0 | 7,040   | 52.2 | 7,050   | 54.0 | 7,070   |
|                      | 200 | 47.2 | 6,170   | 49.4 | 6,180   | 51.2 | 6,200   |
|                      | 210 | 44.3 | 5,400   | 46.5 | 5,410   | 48.2 | 5,430   |

| Boom length          | Jib Radius (Feet) | 5.0 Deg offset Boom Angle | 5.0 Deg offset Rating (Pounds) | 15.0 Deg offset Boom Angle | 15.0 Deg offset Rating (Pounds) | 25.0 Deg offset Boom Angle | 25.0 Deg offset Rating (Pounds) |
|----------------------|-------------------|---------------------------|--------------------------------|----------------------------|---------------------------------|----------------------------|---------------------------------|
|                      | 57                | 80.8                      | 21,020*                        | -                          | -                               | -                          | -                               |
|                      | 60                | 80.2                      | 20,800*                        | -                          | -                               | -                          | -                               |
|                      | 70                | 78.2                      | 20,170*                        | 80.5                       | 17,880*                         | -                          | -                               |
|                      | 80                | 76.2                      | 19,590*                        | 78.5                       | 17,420*                         | 80.6                       | 15,770*                         |
|                      | 90                | 74.1                      | 18,980*                        | 76.4                       | 17,010*                         | 78.6                       | 15,500*                         |
|                      | 100               | 72.1                      | 18,500*                        | 74.3                       | 16,610*                         | 76.4                       | 15,210*                         |
|                      | 110               | 70.0                      | 17,920*                        | 72.2                       | 16,260*                         | 74.3                       | 14,820*                         |
|                      | 120               | 67.8                      | 17,290                         | 70.1                       | 15,920*                         | 72.1                       | 14,510*                         |
| <b>220' (67.1 m)</b> | 130               | 65.7                      | 14,990                         | 67.9                       | 15,000                          | 69.9                       | 14,200*                         |
|                      | 140               | 63.5                      | 13,040                         | 65.7                       | 13,050                          | 67.7                       | 13,070                          |
|                      | 150               | 61.2                      | 11,380                         | 63.4                       | 11,390                          | 65.4                       | 11,400                          |
|                      | 160               | 58.9                      | 9,940                          | 61.1                       | 9,950                           | 63.1                       | 9,970                           |
|                      | 170               | 56.6                      | 8,690                          | 58.8                       | 8,690                           | 60.6                       | 8,710                           |
|                      | 180               | 54.2                      | 7,580                          | 56.3                       | 7,590                           | 58.2                       | 7,610                           |
|                      | 190               | 51.7                      | 6,610                          | 53.8                       | 6,620                           | 55.6                       | 6,640                           |
|                      | 200               | 49.1                      | 5,740                          | 51.2                       | 5,750                           | 52.9                       | 5,770                           |
|                      | 210               | 46.4                      | 4,960                          | 48.4                       | 4,970                           | 50.1                       | 4,990                           |
|                      | 220               | 43.5                      | 4,270                          | 45.5                       | 4,280                           | 47.2                       | 4,300                           |

|                      |     |      |         |      |         |      |         |
|----------------------|-----|------|---------|------|---------|------|---------|
|                      | 58  | 80.9 | 20,970* | -    | -       | -    | -       |
|                      | 60  | 80.5 | 20,850* | -    | -       | -    | -       |
|                      | 70  | 78.6 | 20,270* | 80.8 | 17,900* | -    | -       |
|                      | 80  | 76.6 | 19,650* | 78.9 | 17,460* | 81.0 | 15,780* |
|                      | 90  | 74.7 | 19,050* | 76.9 | 17,050* | 79.0 | 15,520* |
|                      | 100 | 72.7 | 18,540* | 74.9 | 16,660* | 76.9 | 15,230* |
|                      | 110 | 70.7 | 18,070* | 72.9 | 16,280* | 74.9 | 14,910* |
|                      | 120 | 68.6 | 16,890  | 70.8 | 15,970* | 72.8 | 14,560* |
| <b>230' (70.1 m)</b> | 130 | 66.5 | 14,590  | 68.7 | 14,590  | 70.7 | 14,240* |
|                      | 140 | 64.4 | 12,650  | 66.6 | 12,660  | 68.5 | 12,670  |
|                      | 150 | 62.3 | 10,980  | 64.4 | 10,990  | 66.3 | 11,010  |
|                      | 160 | 60.1 | 9,540   | 62.2 | 9,550   | 64.1 | 9,570   |
|                      | 170 | 57.9 | 8,280   | 59.9 | 8,290   | 61.8 | 8,310   |
|                      | 180 | 55.5 | 7,180   | 57.6 | 7,190   | 59.4 | 7,210   |
|                      | 190 | 53.2 | 6,210   | 55.2 | 6,220   | 57.0 | 6,240   |
|                      | 200 | 50.7 | 5,330   | 52.8 | 5,340   | 54.5 | 5,360   |
|                      | 210 | 48.2 | 4,560   | 50.2 | 4,570   | 51.9 | 4,590   |
|                      | 220 | 45.5 | 3,860   | 47.5 | 3,870   | 49.1 | 3,890   |
|                      | 230 | 42.7 | 3,230   | 44.7 | 3,240   | 46.2 | 3,270   |

|                      |     |      |         |      |         |      |         |
|----------------------|-----|------|---------|------|---------|------|---------|
|                      | 60  | 80.8 | 20,810* | -    | -       | -    | -       |
|                      | 70  | 79.0 | 20,240* | -    | -       | -    | -       |
|                      | 80  | 77.1 | 19,710* | 79.2 | 17,460* | -    | -       |
|                      | 90  | 75.2 | 19,110* | 77.3 | 17,080* | 79.3 | 15,430* |
|                      | 100 | 73.3 | 18,650* | 75.4 | 16,700* | 77.4 | 15,190* |
|                      | 110 | 71.3 | 18,110* | 73.4 | 16,300* | 75.4 | 14,920* |
|                      | 120 | 69.3 | 16,460  | 71.5 | 16,000* | 73.4 | 14,580* |
|                      | 130 | 67.3 | 14,160  | 69.4 | 14,170  | 71.4 | 14,190  |
| <b>240' (73.2 m)</b> | 140 | 65.3 | 12,220  | 67.4 | 12,220  | 69.3 | 12,240  |
|                      | 150 | 63.3 | 10,550  | 65.3 | 10,560  | 67.2 | 10,580  |
|                      | 160 | 61.2 | 9,110   | 63.2 | 9,110   | 65.0 | 9,130   |
|                      | 170 | 59.0 | 7,850   | 61.1 | 7,860   | 62.9 | 7,880   |
|                      | 180 | 56.8 | 6,740   | 58.8 | 6,750   | 60.6 | 6,770   |
|                      | 190 | 54.6 | 5,770   | 56.6 | 5,780   | 58.3 | 5,800   |
|                      | 200 | 52.2 | 4,890   | 54.2 | 4,900   | 55.9 | 4,920   |
|                      | 210 | 49.8 | 4,110   | 51.8 | 4,120   | 53.4 | 4,140   |
|                      | 220 | 47.3 | 3,420   | 49.3 | 3,430   | 50.9 | 3,450   |
|                      | 230 | 44.7 | 2,780   | 46.6 | 2,790   | 48.2 | 2,820   |
|                      | 240 | 42.0 | 2,210   | 43.9 | 2,230   | 45.3 | 2,250   |

**WITH 77SI OFFSET TIP BOOM AND 102,000 POUND UPPER COUNTERWEIGHT  
#16HL JIB**

102,000 lb

360°

ANSI B 30.5

**80' (24.4 m) Jib length**

| Boom length          | Jib Radius (Feet) | 5.0 Deg offset |                 | 15.0 Deg offset |                 | 25.0 Deg offset |                 |
|----------------------|-------------------|----------------|-----------------|-----------------|-----------------|-----------------|-----------------|
|                      |                   | Boom Angle     | Rating (Pounds) | Boom Angle      | Rating (Pounds) | Boom Angle      | Rating (Pounds) |
|                      | 56                | 80.9           | 16,550*         | -               | -               | -               | -               |
|                      | 60                | 80.0           | 16,300*         | -               | -               | -               | -               |
|                      | 70                | 77.9           | 15,600*         | 80.7            | 13,680*         | -               | -               |
|                      | 80                | 75.8           | 15,020*         | 78.6            | 13,260*         | -               | -               |
|                      | 90                | 73.7           | 14,470*         | 76.4            | 12,760*         | 79.0            | 11,270*         |
|                      | 100               | 71.6           | 14,000*         | 74.3            | 12,310*         | 76.8            | 10,920*         |
| <b>200' (61.0 m)</b> | 110               | 69.4           | 13,490*         | 72.1            | 11,870*         | 74.6            | 10,600*         |
|                      | 120               | 67.2           | 12,980*         | 69.8            | 11,470*         | 72.3            | 10,340*         |
|                      | 130               | 64.9           | 12,480*         | 67.6            | 11,080*         | 70.0            | 10,060*         |
|                      | 140               | 62.6           | 12,000*         | 65.3            | 10,760*         | 67.6            | 9,860*          |
|                      | 150               | 60.3           | 11,600*         | 62.9            | 10,450*         | 65.2            | 9,660*          |
|                      | 160               | 57.9           | 10,920          | 60.5            | 10,190*         | 62.8            | 9,450*          |
|                      | 170               | 55.4           | 9,670           | 58.0            | 9,680           | 60.2            | 9,290*          |
|                      | 180               | 52.8           | 8,570           | 55.4            | 8,580           | 57.6            | 8,600           |
|                      | 190               | 50.2           | 7,600           | 52.7            | 7,610           | 54.8            | 7,630           |
|                      | 200               | 47.4           | 6,730           | 49.9            | 6,740           | 52.0            | 6,770           |

|                      |     |      |         |      |         |      |         |
|----------------------|-----|------|---------|------|---------|------|---------|
|                      | 57  | 81.0 | 16,490* | -    | -       | -    | -       |
|                      | 60  | 80.4 | 16,280* | -    | -       | -    | -       |
|                      | 70  | 78.4 | 15,710* | -    | -       | -    | -       |
|                      | 80  | 76.3 | 15,130* | 79.0 | 13,280* | -    | -       |
|                      | 90  | 74.3 | 14,550* | 76.9 | 12,850* | 79.4 | 11,290* |
|                      | 100 | 72.2 | 14,090* | 74.8 | 12,350* | 77.3 | 10,940* |
|                      | 110 | 70.1 | 13,600* | 72.7 | 11,950* | 75.1 | 10,640* |
|                      | 120 | 68.0 | 13,150* | 70.6 | 11,560* | 73.0 | 10,360* |
| <b>210' (64.0 m)</b> | 130 | 65.9 | 12,640* | 68.4 | 11,180* | 70.8 | 10,130* |
|                      | 140 | 63.7 | 12,160* | 66.2 | 10,840* | 68.5 | 9,900*  |
|                      | 150 | 61.4 | 11,750* | 63.9 | 10,540* | 66.2 | 9,670*  |
|                      | 160 | 59.1 | 10,490  | 61.6 | 10,280* | 63.9 | 9,490*  |
|                      | 170 | 56.8 | 9,240   | 59.2 | 9,250   | 61.4 | 9,270   |
|                      | 180 | 54.3 | 8,140   | 56.8 | 8,150   | 58.9 | 8,170   |
|                      | 190 | 51.8 | 7,170   | 54.3 | 7,180   | 56.4 | 7,200   |
|                      | 200 | 49.2 | 6,300   | 51.6 | 6,310   | 53.7 | 6,330   |
|                      | 210 | 46.5 | 5,520   | 48.9 | 5,530   | 50.9 | 5,560   |

|                      |     |      |         |      |         |      |         |
|----------------------|-----|------|---------|------|---------|------|---------|
|                      | 59  | 80.9 | 16,420* | -    | -       | -    | -       |
|                      | 60  | 80.7 | 16,300* | -    | -       | -    | -       |
|                      | 70  | 78.8 | 15,750* | -    | -       | -    | -       |
|                      | 80  | 76.8 | 15,170* | 79.4 | 13,260* | -    | -       |
|                      | 90  | 74.8 | 14,630* | 77.4 | 12,880* | 79.8 | 11,310* |
|                      | 100 | 72.8 | 14,180* | 75.4 | 12,420* | 77.7 | 10,970* |
|                      | 110 | 70.8 | 13,690* | 73.3 | 12,010* | 75.7 | 10,670* |
|                      | 120 | 68.8 | 13,290* | 71.3 | 11,590* | 73.6 | 10,420* |
| <b>220' (67.1 m)</b> | 130 | 66.7 | 12,830* | 69.2 | 11,280* | 71.5 | 10,160* |
|                      | 140 | 64.6 | 12,350* | 67.1 | 10,920* | 69.3 | 9,930*  |
|                      | 150 | 62.5 | 11,510  | 64.9 | 10,620* | 67.1 | 9,730*  |
|                      | 160 | 60.3 | 10,070  | 62.7 | 10,080  | 64.9 | 9,520*  |
|                      | 170 | 58.0 | 8,820   | 60.4 | 8,830   | 62.6 | 8,850   |
|                      | 180 | 55.7 | 7,710   | 58.1 | 7,720   | 60.2 | 7,740   |
|                      | 190 | 53.3 | 6,740   | 55.7 | 6,750   | 57.8 | 6,770   |
|                      | 200 | 50.9 | 5,860   | 53.2 | 5,880   | 55.2 | 5,900   |
|                      | 210 | 48.3 | 5,090   | 50.7 | 5,100   | 52.6 | 5,120   |
|                      | 220 | 45.7 | 4,390   | 48.0 | 4,400   | 49.8 | 4,430   |

| Boom length          | Jib Radius (Feet) | 5.0 Deg offset |                 | 15.0 Deg offset |                 | 25.0 Deg offset |                 |
|----------------------|-------------------|----------------|-----------------|-----------------|-----------------|-----------------|-----------------|
|                      |                   | Boom Angle     | Rating (Pounds) | Boom Angle      | Rating (Pounds) | Boom Angle      | Rating (Pounds) |
|                      | 61                | 80.8           | 16,310*         | -               | -               | -               | -               |
|                      | 70                | 79.1           | 15,790*         | -               | -               | -               | -               |
|                      | 80                | 77.2           | 15,220*         | 79.7            | 13,300*         | -               | -               |
|                      | 90                | 75.3           | 14,700*         | 77.8            | 12,920*         | 80.1            | 11,330*         |
|                      | 100               | 73.4           | 14,200*         | 75.9            | 12,480*         | 78.1            | 10,990*         |
|                      | 110               | 71.5           | 13,770*         | 73.9            | 12,080*         | 76.2            | 10,670*         |
|                      | 120               | 69.5           | 13,340*         | 71.9            | 11,670*         | 74.2            | 10,420*         |
|                      | 130               | 67.5           | 12,960*         | 69.9            | 11,320*         | 72.1            | 10,180*         |
| <b>230' (70.1 m)</b> | 140               | 65.5           | 12,480*         | 67.9            | 10,990*         | 70.1            | 9,970*          |
|                      | 150               | 63.4           | 11,110          | 65.8            | 10,720*         | 67.9            | 9,740*          |
|                      | 160               | 61.3           | 9,680           | 63.7            | 9,690           | 65.8            | 9,560*          |
|                      | 170               | 59.2           | 8,410           | 61.5            | 8,420           | 63.6            | 8,440           |
|                      | 180               | 57.0           | 7,300           | 59.3            | 7,310           | 61.3            | 7,340           |
|                      | 190               | 54.7           | 6,330           | 57.0            | 6,340           | 59.0            | 6,360           |
|                      | 200               | 52.4           | 5,460           | 54.7            | 5,470           | 56.6            | 5,500           |
|                      | 210               | 50.0           | 4,680           | 52.2            | 4,690           | 54.2            | 4,720           |
|                      | 220               | 47.5           | 3,990           | 49.7            | 4,000           | 51.6            | 4,020           |
|                      | 230               | 44.9           | 3,350           | 47.1            | 3,370           | 48.9            | 3,390           |

|                      |     |      |         |      |         |      |         |
|----------------------|-----|------|---------|------|---------|------|---------|
|                      | 62  | 80.9 | 16,250* | -    | -       | -    | -       |
|                      | 70  | 79.5 | 15,800* | -    | -       | -    | -       |
|                      | 80  | 77.6 | 15,260* | 80.0 | 13,270* | -    | -       |
|                      | 90  | 75.8 | 14,760* | 78.2 | 12,950* | 80.4 | 11,340* |
|                      | 100 | 73.9 | 14,270* | 76.3 | 12,590* | 78.5 | 11,010* |
|                      | 110 | 72.1 | 13,840* | 74.4 | 12,140* | 76.6 | 10,710* |
|                      | 120 | 70.2 | 13,430* | 72.5 | 11,740* | 74.7 | 10,470* |
|                      | 130 | 68.3 | 13,050* | 70.6 | 11,420* | 72.7 | 10,190* |
| <b>240' (73.2 m)</b> | 140 | 66.3 | 12,350  | 68.6 | 11,080* | 70.7 | 9,990*  |
|                      | 150 | 64.3 | 10,690  | 66.6 | 10,700  | 68.7 | 9,780*  |
|                      | 160 | 62.3 | 9,240   | 64.6 | 9,250   | 66.7 | 9,270   |
|                      | 170 | 60.2 | 7,980   | 62.5 | 7,990   | 64.5 | 8,010   |
|                      | 180 | 58.1 | 6,880   | 60.4 | 6,890   | 62.4 | 6,910   |
|                      | 190 | 56.0 | 5,900   | 58.2 | 5,910   | 60.2 | 5,930   |
|                      | 200 | 53.8 | 5,020   | 56.0 | 5,040   | 57.9 | 5,060   |
|                      | 210 | 51.5 | 4,240   | 53.7 | 4,250   | 55.6 | 4,280   |
|                      | 220 | 49.1 | 3,540   | 51.3 | 3,550   | 53.1 | 3,580   |
|                      | 230 | 46.7 | 2,910   | 48.8 | 2,920   | 50.6 | 2,940   |
|                      | 240 | 44.1 | 2,340   | 46.2 | 2,360   | 47.9 | 2,380   |



**WITH 77SI OFFSET TIP BOOM AND 116,400 POUND COUNTERWEIGHT  
#16HL JIB**

108,400 lb + 8,000 lb carbody counterweight

360°

ANSI B 30.5

**40' (12.2 m) Jib length**

| Boom length                    | Jib Radius (Feet) | 5.0 Deg offset |                 | 15.0 Deg offset |                 | 25.0 Deg offset |                 |
|--------------------------------|-------------------|----------------|-----------------|-----------------|-----------------|-----------------|-----------------|
|                                |                   | Boom Angle     | Rating (Pounds) | Boom Angle      | Rating (Pounds) | Boom Angle      | Rating (Pounds) |
|                                | 31                | 80.6           | 32,000*         | -               | -               | -               | -               |
|                                | 35                | 78.9           | 32,000*         | -               | -               | -               | -               |
|                                | 40                | 76.9           | 32,000*         | 79.6            | 32,000*         | -               | -               |
|                                | 50                | 72.6           | 32,000*         | 75.3            | 32,000*         | 77.8            | 31,510*         |
| <b>100'</b><br><b>(30.5 m)</b> | 60                | 68.3           | 32,000*         | 71.0            | 32,000*         | 73.4            | 28,280*         |
|                                | 70                | 63.8           | 32,000*         | 66.4            | 31,740*         | 68.8            | 25,680*         |
|                                | 80                | 59.2           | 32,000*         | 61.7            | 28,780*         | 64.0            | 23,630*         |
|                                | 90                | 54.2           | 30,280*         | 56.8            | 26,380*         | 59.0            | 21,980*         |
| 100                            | 49.0              | 27,480*        | 51.4            | 24,450*         | 53.5            | 20,650*         |                 |

|                                |      |         |         |         |         |         |         |
|--------------------------------|------|---------|---------|---------|---------|---------|---------|
|                                | 32   | 80.8    | 32,000* | -       | -       | -       | -       |
|                                | 35   | 79.7    | 32,000* | -       | -       | -       | -       |
|                                | 40   | 77.7    | 32,000* | 80.3    | 32,000* | -       | -       |
|                                | 50   | 73.8    | 32,000* | 76.3    | 32,000* | 78.7    | 32,000* |
| <b>110'</b><br><b>(33.5 m)</b> | 60   | 69.8    | 32,000* | 72.3    | 32,000* | 74.6    | 28,980* |
|                                | 70   | 65.7    | 32,000* | 68.1    | 32,000* | 70.4    | 26,500* |
|                                | 80   | 61.4    | 32,000* | 63.8    | 30,030* | 66.0    | 24,370* |
|                                | 90   | 57.0    | 32,000* | 59.3    | 27,580* | 61.4    | 22,710* |
| 100                            | 52.2 | 29,050* | 54.6    | 25,450* | 56.6    | 21,280* |         |
| 110                            | 47.2 | 25,620  | 49.5    | 23,790* | 51.4    | 20,120* |         |

|                                |      |        |         |         |         |         |         |
|--------------------------------|------|--------|---------|---------|---------|---------|---------|
|                                | 34   | 80.7   | 32,000* | -       | -       | -       | -       |
|                                | 35   | 80.3   | 32,000* | -       | -       | -       | -       |
|                                | 40   | 78.5   | 32,000* | 80.9    | 32,000* | -       | -       |
|                                | 50   | 74.9   | 32,000* | 77.2    | 32,000* | 79.4    | 32,000* |
| <b>120'</b><br><b>(36.6 m)</b> | 60   | 71.1   | 32,000* | 73.5    | 32,000* | 75.6    | 29,690* |
|                                | 70   | 67.3   | 32,000* | 69.6    | 32,000* | 71.7    | 27,140* |
|                                | 80   | 63.4   | 32,000* | 65.6    | 31,170* | 67.7    | 25,050* |
|                                | 90   | 59.3   | 32,000* | 61.5    | 28,640* | 63.5    | 23,330* |
| 100                            | 55.0 | 28,750 | 57.2    | 26,480* | 59.1    | 21,910* |         |
| 110                            | 50.4 | 25,240 | 52.6    | 24,750* | 54.5    | 20,730* |         |
| 120                            | 45.6 | 22,360 | 47.7    | 22,370  | 49.4    | 19,770* |         |

|                                |      |        |         |        |         |         |         |
|--------------------------------|------|--------|---------|--------|---------|---------|---------|
|                                | 35   | 80.9   | 32,000* | -      | -       | -       | -       |
|                                | 40   | 79.2   | 32,000* | -      | -       | -       | -       |
|                                | 50   | 75.8   | 32,000* | 78.0   | 32,000* | 80.1    | 32,000* |
|                                | 60   | 72.3   | 32,000* | 74.5   | 32,000* | 76.5    | 30,320* |
| <b>130'</b><br><b>(39.6 m)</b> | 70   | 68.7   | 32,000* | 70.9   | 32,000* | 72.9    | 27,880* |
|                                | 80   | 65.0   | 32,000* | 67.2   | 32,000* | 69.2    | 25,790* |
|                                | 90   | 61.3   | 32,000* | 63.4   | 29,620* | 65.3    | 23,990* |
|                                | 100  | 57.3   | 28,410  | 59.4   | 27,530* | 61.3    | 22,550* |
| 110                            | 53.2 | 24,890 | 55.3    | 24,890 | 57.0    | 21,300* |         |
| 120                            | 48.8 | 22,000 | 50.9    | 22,010 | 52.5    | 20,280* |         |
| 130                            | 44.1 | 19,610 | 46.1    | 19,620 | 47.7    | 19,400* |         |

| Boom length                    | Jib Radius (Feet) | 5.0 Deg offset |                 | 15.0 Deg offset |                 | 25.0 Deg offset |                 |
|--------------------------------|-------------------|----------------|-----------------|-----------------|-----------------|-----------------|-----------------|
|                                |                   | Boom Angle     | Rating (Pounds) | Boom Angle      | Rating (Pounds) | Boom Angle      | Rating (Pounds) |
|                                | 37                | 80.8           | 32,000*         | -               | -               | -               | -               |
|                                | 40                | 79.8           | 32,000*         | -               | -               | -               | -               |
|                                | 50                | 76.6           | 32,000*         | 78.7            | 32,000*         | 80.7            | 32,000*         |
|                                | 60                | 73.3           | 32,000*         | 75.4            | 32,000*         | 77.3            | 30,910*         |
| <b>140'</b><br><b>(42.7 m)</b> | 70                | 69.9           | 32,000*         | 72.0            | 32,000*         | 73.9            | 28,450*         |
|                                | 80                | 66.5           | 32,000*         | 68.6            | 32,000*         | 70.4            | 26,350*         |
|                                | 90                | 63.0           | 32,000*         | 65.0            | 30,600*         | 66.8            | 24,570*         |
|                                | 100               | 59.3           | 28,010          | 61.3            | 28,010          | 63.1            | 23,090*         |
| 110                            | 55.6              | 24,480         | 57.5            | 24,480          | 59.2            | 21,890*         |                 |
| 120                            | 51.6              | 21,590         | 53.5            | 21,600          | 55.1            | 20,780*         |                 |
| 130                            | 47.4              | 19,190         | 49.2            | 19,200          | 50.8            | 19,210          |                 |
| 140                            | 42.8              | 17,170         | 44.7            | 17,180          | 46.1            | 17,190          |                 |

|                                |      |        |         |        |         |        |         |
|--------------------------------|------|--------|---------|--------|---------|--------|---------|
|                                | 38   | 81.0   | 32,000* | -      | -       | -      | -       |
|                                | 40   | 80.3   | 32,000* | -      | -       | -      | -       |
|                                | 50   | 77.3   | 32,000* | 79.3   | 32,000* | -      | -       |
|                                | 60   | 74.2   | 32,000* | 76.2   | 32,000* | 78.0   | 31,480* |
|                                | 70   | 71.0   | 32,000* | 73.0   | 32,000* | 74.8   | 28,990* |
|                                | 80   | 67.8   | 32,000* | 69.8   | 32,000* | 71.5   | 26,990* |
| <b>150'</b><br><b>(45.7 m)</b> | 90   | 64.5   | 32,000* | 66.4   | 31,540* | 68.2   | 25,210* |
|                                | 100  | 61.1   | 27,600  | 63.0   | 27,610  | 64.7   | 23,680* |
|                                | 110  | 57.6   | 24,080  | 59.5   | 24,090  | 61.1   | 22,430* |
|                                | 120  | 53.9   | 21,190  | 55.8   | 21,200  | 57.4   | 21,210  |
| 130                            | 50.1 | 18,790 | 51.9    | 18,800 | 53.4    | 18,810 |         |
| 140                            | 46.0 | 16,750 | 47.8    | 16,760 | 49.2    | 16,770 |         |
| 150                            | 41.6 | 15,030 | 43.3    | 15,030 | 44.7    | 15,050 |         |

|                                |      |        |         |        |         |        |         |
|--------------------------------|------|--------|---------|--------|---------|--------|---------|
|                                | 40   | 80.8   | 32,000* | -      | -       | -      | -       |
|                                | 50   | 77.9   | 32,000* | 79.8   | 32,000* | -      | -       |
|                                | 60   | 75.0   | 32,000* | 76.9   | 32,000* | 78.6   | 31,940* |
|                                | 70   | 72.0   | 32,000* | 73.9   | 32,000* | 75.6   | 29,580* |
|                                | 80   | 69.0   | 32,000* | 70.8   | 32,000* | 72.5   | 27,520* |
|                                | 90   | 65.9   | 31,590  | 67.7   | 31,600  | 69.4   | 25,740* |
| <b>160'</b><br><b>(48.8 m)</b> | 100  | 62.7   | 27,190  | 64.5   | 27,190  | 66.1   | 24,220* |
|                                | 110  | 59.4   | 23,650  | 61.2   | 23,660  | 62.8   | 22,980* |
|                                | 120  | 56.0   | 20,770  | 57.8   | 20,770  | 59.3   | 20,780  |
|                                | 130  | 52.5   | 18,360  | 54.2   | 18,370  | 55.7   | 18,380  |
| 140                            | 48.7 | 16,330 | 50.4    | 16,340 | 51.9    | 16,350 |         |
| 150                            | 44.8 | 14,600 | 46.4    | 14,600 | 47.8    | 14,620 |         |
| 160                            | 40.5 | 13,100 | 42.1    | 13,110 | 43.3    | 13,120 |         |

|                                |      |        |         |        |         |        |         |
|--------------------------------|------|--------|---------|--------|---------|--------|---------|
|                                | 41   | 81.0   | 32,000* | -      | -       | -      | -       |
|                                | 50   | 78.5   | 32,000* | 80.3   | 32,000* | -      | -       |
|                                | 60   | 75.7   | 32,000* | 77.5   | 32,000* | 79.2   | 32,000* |
|                                | 70   | 72.9   | 32,000* | 74.7   | 32,000* | 76.3   | 29,950* |
|                                | 80   | 70.0   | 32,000* | 71.8   | 32,000* | 73.4   | 27,990* |
|                                | 90   | 67.1   | 31,190  | 68.8   | 31,200  | 70.4   | 26,220* |
| <b>170'</b><br><b>(51.8 m)</b> | 100  | 64.1   | 26,790  | 65.8   | 26,790  | 67.4   | 24,710* |
|                                | 110  | 61.0   | 23,250  | 62.7   | 23,260  | 64.3   | 23,270  |
|                                | 120  | 57.8   | 20,360  | 59.5   | 20,360  | 61.0   | 20,380  |
|                                | 130  | 54.5   | 17,950  | 56.2   | 17,960  | 57.6   | 17,970  |
| 140                            | 51.1 | 15,920 | 52.7    | 15,920 | 54.1    | 15,940 |         |
| 150                            | 47.5 | 14,180 | 49.1    | 14,190 | 50.4    | 14,200 |         |
| 160                            | 43.6 | 12,680 | 45.2    | 12,680 | 46.4    | 12,700 |         |
| 170                            | 39.5 | 11,370 | 41.0    | 11,380 | 42.1    | 11,390 |         |



**WITH 77SI OFFSET TIP BOOM AND 116,400 POUND COUNTERWEIGHT**  
**#16HL JIB**

108,400 lb + 8,000 lb carbody counterweight

360°

ANSI B 30.5

**40' (12.2 m) Jib length**

| Boom length          | Jib Radius (Feet) | 5.0 Deg offset |                 | 15.0 Deg offset |                 | 25.0 Deg offset |                 |
|----------------------|-------------------|----------------|-----------------|-----------------|-----------------|-----------------|-----------------|
|                      |                   | Boom Angle     | Rating (Pounds) | Boom Angle      | Rating (Pounds) | Boom Angle      | Rating (Pounds) |
|                      | 43                | 80.9           | 32,000*         | -               | -               | -               | -               |
|                      | 50                | 79.0           | 32,000*         | 80.8            | 32,000*         | -               | -               |
|                      | 60                | 76.4           | 32,000*         | 78.1            | 32,000*         | 79.7            | 32,000*         |
|                      | 70                | 73.7           | 32,000*         | 75.4            | 32,000*         | 77.0            | 30,450*         |
|                      | 80                | 71.0           | 32,000*         | 72.7            | 32,000*         | 74.2            | 28,440*         |
|                      | 90                | 68.2           | 30,820          | 69.9            | 30,830          | 71.4            | 26,700*         |
| <b>180' (54.9 m)</b> | 100               | 65.4           | 26,410          | 67.0            | 26,420          | 68.5            | 25,170*         |
|                      | 110               | 62.4           | 22,880          | 64.1            | 22,880          | 65.6            | 22,890          |
|                      | 120               | 59.5           | 19,980          | 61.1            | 19,990          | 62.5            | 20,000          |
|                      | 130               | 56.4           | 17,570          | 58.0            | 17,580          | 59.4            | 17,590          |
|                      | 140               | 53.2           | 15,540          | 54.8            | 15,540          | 56.1            | 15,560          |
|                      | 150               | 49.8           | 13,800          | 51.4            | 13,800          | 52.7            | 13,820          |
|                      | 160               | 46.3           | 12,290          | 47.8            | 12,300          | 49.1            | 12,310          |
|                      | 170               | 42.6           | 10,980          | 44.0            | 10,990          | 45.2            | 11,000          |
|                      | 180               | 38.5           | 9,840           | 39.9            | 9,840           | 41.0            | 9,860           |

|                      |     |      |         |      |         |      |         |
|----------------------|-----|------|---------|------|---------|------|---------|
|                      | 45  | 80.8 | 32,000* | -    | -       | -    | -       |
|                      | 50  | 79.5 | 32,000* | -    | -       | -    | -       |
|                      | 60  | 77.0 | 32,000* | 78.6 | 32,000* | 80.2 | 32,000* |
|                      | 70  | 74.4 | 32,000* | 76.1 | 32,000* | 77.6 | 30,910* |
|                      | 80  | 71.8 | 32,000* | 73.4 | 32,000* | 74.9 | 28,870* |
|                      | 90  | 69.2 | 30,410  | 70.8 | 30,420  | 72.3 | 27,220* |
| <b>190' (57.9 m)</b> | 100 | 66.5 | 25,990  | 68.1 | 26,000  | 69.5 | 25,650* |
|                      | 110 | 63.7 | 22,450  | 65.3 | 22,460  | 66.7 | 22,470  |
|                      | 120 | 60.9 | 19,560  | 62.5 | 19,560  | 63.9 | 19,580  |
|                      | 130 | 58.0 | 17,150  | 59.6 | 17,150  | 60.9 | 17,160  |
|                      | 140 | 55.0 | 15,110  | 56.6 | 15,120  | 57.9 | 15,130  |
|                      | 150 | 51.9 | 13,370  | 53.4 | 13,370  | 54.7 | 13,380  |
|                      | 160 | 48.7 | 11,860  | 50.1 | 11,860  | 51.4 | 11,870  |
|                      | 170 | 45.2 | 10,540  | 46.7 | 10,550  | 47.8 | 10,560  |
|                      | 180 | 41.6 | 9,390   | 43.0 | 9,400   | 44.1 | 9,410   |
|                      | 190 | 37.6 | 8,380   | 39.0 | 8,390   | 40.0 | 8,400   |

|                      |     |      |         |      |         |      |         |
|----------------------|-----|------|---------|------|---------|------|---------|
|                      | 46  | 80.9 | 32,000* | -    | -       | -    | -       |
|                      | 50  | 80.0 | 32,000* | -    | -       | -    | -       |
|                      | 60  | 77.5 | 32,000* | 79.1 | 32,000* | 80.6 | 32,000* |
|                      | 70  | 75.1 | 32,000* | 76.6 | 32,000* | 78.1 | 31,340* |
|                      | 80  | 72.6 | 32,000* | 74.2 | 32,000* | 75.6 | 29,380* |
|                      | 90  | 70.1 | 30,000  | 71.6 | 30,010  | 73.0 | 27,670* |
|                      | 100 | 67.5 | 25,580  | 69.1 | 25,590  | 70.4 | 25,600  |
|                      | 110 | 64.9 | 22,040  | 66.4 | 22,050  | 67.8 | 22,060  |
| <b>200' (61.0 m)</b> | 120 | 62.2 | 19,150  | 63.8 | 19,150  | 65.1 | 19,160  |
|                      | 130 | 59.5 | 16,720  | 61.0 | 16,730  | 62.3 | 16,740  |
|                      | 140 | 56.7 | 14,680  | 58.2 | 14,690  | 59.4 | 14,700  |
|                      | 150 | 53.8 | 12,940  | 55.2 | 12,940  | 56.5 | 12,950  |
|                      | 160 | 50.7 | 11,430  | 52.2 | 11,440  | 53.4 | 11,450  |
|                      | 170 | 47.6 | 10,120  | 49.0 | 10,120  | 50.1 | 10,130  |
|                      | 180 | 44.2 | 8,960   | 45.6 | 8,970   | 46.7 | 8,980   |
|                      | 190 | 40.6 | 7,940   | 42.0 | 7,950   | 43.0 | 7,970   |
|                      | 200 | 36.8 | 7,040   | 38.1 | 7,050   | 39.0 | 7,070   |

| Boom length          | Jib Radius (Feet) | 5.0 Deg offset |                 | 15.0 Deg offset |                 | 25.0 Deg offset |                 |
|----------------------|-------------------|----------------|-----------------|-----------------|-----------------|-----------------|-----------------|
|                      |                   | Boom Angle     | Rating (Pounds) | Boom Angle      | Rating (Pounds) | Boom Angle      | Rating (Pounds) |
|                      | 48                | 80.8           | 32,000*         | -               | -               | -               | -               |
|                      | 50                | 80.4           | 32,000*         | -               | -               | -               | -               |
|                      | 60                | 78.0           | 32,000*         | 79.6            | 32,000*         | 81.0            | 32,000*         |
|                      | 70                | 75.7           | 32,000*         | 77.2            | 32,000*         | 78.6            | 31,760*         |
|                      | 80                | 73.3           | 32,000*         | 74.8            | 32,000*         | 76.2            | 29,790*         |
|                      | 90                | 70.9           | 29,580          | 72.4            | 29,590          | 73.8            | 28,010*         |
|                      | 100               | 68.5           | 25,160          | 69.9            | 25,160          | 71.3            | 25,170          |
|                      | 110               | 66.0           | 21,620          | 67.4            | 21,630          | 68.8            | 21,640          |
| <b>210' (64.0 m)</b> | 120               | 63.4           | 18,710          | 64.9            | 18,720          | 66.2            | 18,730          |
|                      | 130               | 60.9           | 16,300          | 62.3            | 16,300          | 63.6            | 16,310          |
|                      | 140               | 58.2           | 14,260          | 59.6            | 14,260          | 60.8            | 14,270          |
|                      | 150               | 55.4           | 12,510          | 56.8            | 12,510          | 58.0            | 12,530          |
|                      | 160               | 52.6           | 10,990          | 54.0            | 11,000          | 55.1            | 11,010          |
|                      | 170               | 49.6           | 9,670           | 51.0            | 9,680           | 52.1            | 9,690           |
|                      | 180               | 46.5           | 8,520           | 47.9            | 8,520           | 49.0            | 8,540           |
|                      | 190               | 43.3           | 7,490           | 44.6            | 7,500           | 45.6            | 7,510           |
|                      | 200               | 39.8           | 6,590           | 41.1            | 6,600           | 42.0            | 6,610           |
|                      | 210               | 36.0           | 5,790           | 37.2            | 5,800           | 38.1            | 5,810           |

|                      |     |      |         |      |         |      |         |
|----------------------|-----|------|---------|------|---------|------|---------|
|                      | 49  | 81.0 | 32,000* | -    | -       | -    | -       |
|                      | 50  | 80.7 | 32,000* | -    | -       | -    | -       |
|                      | 60  | 78.5 | 32,000* | 80.0 | 32,000* | 81.4 | 32,000* |
|                      | 70  | 76.2 | 32,000* | 77.7 | 32,000* | 79.1 | 32,000* |
|                      | 80  | 74.0 | 32,000* | 75.4 | 32,000* | 76.8 | 30,080* |
|                      | 90  | 71.7 | 29,170  | 73.1 | 29,180  | 74.4 | 28,440* |
|                      | 100 | 69.3 | 24,740  | 70.8 | 24,740  | 72.1 | 24,750  |
|                      | 110 | 67.0 | 21,200  | 68.4 | 21,200  | 69.6 | 21,210  |
| <b>220' (67.1 m)</b> | 120 | 64.5 | 18,290  | 65.9 | 18,300  | 67.2 | 18,310  |
|                      | 130 | 62.1 | 15,870  | 63.5 | 15,880  | 64.7 | 15,890  |
|                      | 140 | 59.5 | 13,830  | 60.9 | 13,840  | 62.1 | 13,850  |
|                      | 150 | 56.9 | 12,080  | 58.3 | 12,090  | 59.5 | 12,100  |
|                      | 160 | 54.3 | 10,560  | 55.6 | 10,570  | 56.8 | 10,580  |
|                      | 170 | 51.5 | 9,240   | 52.8 | 9,250   | 53.9 | 9,260   |
|                      | 180 | 48.6 | 8,080   | 49.9 | 8,090   | 51.0 | 8,100   |
|                      | 190 | 45.6 | 7,060   | 46.9 | 7,060   | 47.9 | 7,080   |
|                      | 200 | 42.4 | 6,160   | 43.6 | 6,160   | 44.6 | 6,180   |
|                      | 210 | 39.0 | 5,340   | 40.2 | 5,350   | 41.1 | 5,360   |
|                      | 220 | 35.3 | 4,620   | 36.4 | 4,620   | 37.2 | 4,640   |

|                      |     |      |         |      |         |      |         |
|----------------------|-----|------|---------|------|---------|------|---------|
|                      | 51  | 80.9 | 32,000* | -    | -       | -    | -       |
|                      | 60  | 78.9 | 32,000* | 80.3 | 32,000* | 81.7 | 32,000* |
|                      | 70  | 76.8 | 32,000* | 78.2 | 32,000* | 79.5 | 32,000* |
|                      | 80  | 74.6 | 32,000* | 76.0 | 32,000* | 77.3 | 30,500* |
|                      | 90  | 72.4 | 28,780  | 73.8 | 28,790  | 75.0 | 28,770* |
|                      | 100 | 70.1 | 24,360  | 71.5 | 24,360  | 72.8 | 24,370  |
|                      | 110 | 67.9 | 20,810  | 69.2 | 20,810  | 70.5 | 20,820  |
|                      | 120 | 65.6 | 17,900  | 66.9 | 17,900  | 68.1 | 17,910  |
| <b>230' (70.1 m)</b> | 130 | 63.2 | 15,480  | 64.5 | 15,490  | 65.7 | 15,500  |
|                      | 140 | 60.8 | 13,440  | 62.1 | 13,440  | 63.3 | 13,450  |
|                      | 150 | 58.3 | 11,690  | 59.6 | 11,690  | 60.8 | 11,700  |
|                      | 160 | 55.8 | 10,170  | 57.1 | 10,170  | 58.2 | 10,180  |
|                      | 170 | 53.2 | 8,840   | 54.5 | 8,850   | 55.5 | 8,860   |
|                      | 180 | 50.5 | 7,680   | 51.7 | 7,690   | 52.8 | 7,700   |
|                      | 190 | 47.6 | 6,650   | 48.9 | 6,660   | 49.9 | 6,670   |
|                      | 200 | 44.7 | 5,750   | 45.9 | 5,750   | 46.9 | 5,770   |
|                      | 210 | 41.5 | 4,930   | 42.7 | 4,940   | 43.6 | 4,950   |
|                      | 220 | 38.2 | 4,210   | 39.4 | 4,210   | 40.2 | 4,230   |
|                      | 230 | 34.6 | 3,550   | 35.7 | 3,560   | 36.5 | 3,580   |



**WITH 77SI OFFSET TIP BOOM AND 116,400 POUND COUNTERWEIGHT  
#16HL JIB**

108,400 lb + 8,000 lb carbody counterweight

360°

ANSI B 30.5

**40' (12.2 m) Jib length**

| Boom length      | Jib Radius (Feet) | 5.0 Deg offset |                 | 15.0 Deg offset |                 | 25.0 Deg offset |                 |
|------------------|-------------------|----------------|-----------------|-----------------|-----------------|-----------------|-----------------|
|                  |                   | Boom Angle     | Rating (Pounds) | Boom Angle      | Rating (Pounds) | Boom Angle      | Rating (Pounds) |
|                  | 52                | 81.0           | 32,000*         | -               | -               | -               | -               |
|                  | 60                | 79.3           | 32,000*         | 80.7            | 32,000*         | -               | -               |
|                  | 70                | 77.2           | 32,000*         | 78.6            | 32,000*         | 79.9            | 32,000*         |
|                  | 80                | 75.1           | 32,000*         | 76.5            | 32,000*         | 77.7            | 30,780*         |
|                  | 90                | 73.0           | 28,360          | 74.4            | 28,370          | 75.6            | 28,380          |
|                  | 100               | 70.9           | 23,940          | 72.2            | 23,940          | 73.4            | 23,950          |
|                  | 110               | 68.7           | 20,390          | 70.0            | 20,390          | 71.2            | 20,400          |
|                  | 120               | 66.5           | 17,480          | 67.8            | 17,480          | 69.0            | 17,490          |
| 240'<br>(73.2 m) | 130               | 64.2           | 15,050          | 65.5            | 15,050          | 66.7            | 15,070          |
|                  | 140               | 61.9           | 13,000          | 63.2            | 13,010          | 64.3            | 13,020          |
|                  | 150               | 59.6           | 11,250          | 60.9            | 11,260          | 62.0            | 11,270          |
|                  | 160               | 57.2           | 9,730           | 58.4            | 9,740           | 59.5            | 9,750           |
|                  | 170               | 54.7           | 8,410           | 55.9            | 8,420           | 57.0            | 8,430           |
|                  | 180               | 52.1           | 7,250           | 53.4            | 7,250           | 54.4            | 7,270           |
|                  | 190               | 49.5           | 6,220           | 50.7            | 6,220           | 51.7            | 6,240           |
|                  | 200               | 46.7           | 5,300           | 47.9            | 5,310           | 48.9            | 5,320           |
|                  | 210               | 43.8           | 4,480           | 45.0            | 4,490           | 45.9            | 4,500           |
|                  | 220               | 40.8           | 3,750           | 41.9            | 3,760           | 42.8            | 3,770           |
|                  | 230               | 37.5           | 3,090           | 38.6            | 3,100           | 39.4            | 3,110           |
|                  | 240               | 33.9           | 2,510           | 35.0            | 2,520           | 35.7            | 2,530           |

| Boom length      | Jib Radius (Feet) | 5.0 Deg offset |                 | 15.0 Deg offset |                 | 25.0 Deg offset |                 |
|------------------|-------------------|----------------|-----------------|-----------------|-----------------|-----------------|-----------------|
|                  |                   | Boom Angle     | Rating (Pounds) | Boom Angle      | Rating (Pounds) | Boom Angle      | Rating (Pounds) |
|                  | 54                | 80.9           | 32,000*         | -               | -               | -               | -               |
|                  | 60                | 79.7           | 32,000*         | -               | -               | -               | -               |
|                  | 70                | 77.7           | 32,000*         | 79.0            | 32,000*         | 80.2            | 32,000*         |
|                  | 80                | 75.7           | 32,000*         | 77.0            | 32,000*         | 78.2            | 31,190*         |
|                  | 90                | 73.6           | 27,950          | 74.9            | 27,960          | 76.1            | 27,970          |
|                  | 100               | 71.6           | 23,520          | 72.8            | 23,520          | 74.0            | 23,530          |
|                  | 110               | 69.5           | 19,970          | 70.7            | 19,970          | 71.9            | 19,980          |
|                  | 120               | 67.3           | 17,060          | 68.6            | 17,060          | 69.7            | 17,070          |
| 250'<br>(76.2 m) | 130               | 65.2           | 14,630          | 66.4            | 14,630          | 67.6            | 14,640          |
|                  | 140               | 63.0           | 12,580          | 64.2            | 12,590          | 65.3            | 12,600          |
|                  | 150               | 60.7           | 10,830          | 62.0            | 10,830          | 63.1            | 10,840          |
|                  | 160               | 58.4           | 9,300           | 59.7            | 9,310           | 60.7            | 9,320           |
|                  | 170               | 56.1           | 7,980           | 57.3            | 7,980           | 58.3            | 7,990           |
|                  | 180               | 53.7           | 6,810           | 54.9            | 6,820           | 55.9            | 6,830           |
|                  | 190               | 51.2           | 5,780           | 52.3            | 5,780           | 53.3            | 5,800           |
|                  | 200               | 48.6           | 4,870           | 49.7            | 4,870           | 50.7            | 4,890           |
|                  | 210               | 45.9           | 4,040           | 47.0            | 4,050           | 47.9            | 4,060           |
|                  | 220               | 43.0           | 3,310           | 44.1            | 3,320           | 45.0            | 3,330           |
|                  | 230               | 40.0           | 2,640           | 41.1            | 2,650           | 41.9            | 2,670           |
|                  | 240               | 36.8           | 2,050           | 37.9            | 2,060           | 38.6            | 2,080           |

**50' (15.2 m) Jib length**

| Boom length      | Jib Radius (Feet) | 5.0 Deg offset |                 | 15.0 Deg offset |                 | 25.0 Deg offset |                 |
|------------------|-------------------|----------------|-----------------|-----------------|-----------------|-----------------|-----------------|
|                  |                   | Boom Angle     | Rating (Pounds) | Boom Angle      | Rating (Pounds) | Boom Angle      | Rating (Pounds) |
|                  | 38                | 80.7           | 32,000*         | -               | -               | -               | -               |
|                  | 40                | 80.1           | 31,900*         | -               | -               | -               | -               |
|                  | 50                | 76.8           | 30,710*         | 79.5            | 28,230*         | -               | -               |
|                  | 60                | 73.6           | 29,560*         | 76.2            | 27,410*         | 78.6            | 25,610*         |
| 130'<br>(39.6 m) | 70                | 70.2           | 28,590*         | 72.8            | 26,560*         | 75.2            | 23,760*         |
|                  | 80                | 66.8           | 27,570*         | 69.4            | 25,940*         | 71.7            | 21,930*         |
|                  | 90                | 63.3           | 26,760*         | 65.8            | 25,250*         | 68.1            | 20,400*         |
|                  | 100               | 59.6           | 26,020*         | 62.1            | 23,580*         | 64.4            | 19,140*         |
|                  | 110               | 55.8           | 25,070          | 58.3            | 21,960*         | 60.5            | 18,090*         |
|                  | 120               | 51.8           | 22,190          | 54.3            | 20,590*         | 56.4            | 17,170*         |
|                  | 130               | 47.6           | 19,790          | 50.0            | 19,480*         | 52.0            | 16,340*         |

| Boom length      | Jib Radius (Feet) | 5.0 Deg offset |                 | 15.0 Deg offset |                 | 25.0 Deg offset |                 |
|------------------|-------------------|----------------|-----------------|-----------------|-----------------|-----------------|-----------------|
|                  |                   | Boom Angle     | Rating (Pounds) | Boom Angle      | Rating (Pounds) | Boom Angle      | Rating (Pounds) |
|                  | 41                | 80.8           | 32,000*         | -               | -               | -               | -               |
|                  | 50                | 78.2           | 31,020*         | 80.6            | 28,330*         | -               | -               |
|                  | 60                | 75.2           | 29,930*         | 77.6            | 27,520*         | 79.8            | 25,640*         |
|                  | 70                | 72.3           | 29,000*         | 74.6            | 26,860*         | 76.8            | 24,550*         |
| 150'<br>(45.7 m) | 80                | 69.2           | 28,120*         | 71.6            | 26,210*         | 73.7            | 22,850*         |
|                  | 90                | 66.1           | 27,290*         | 68.4            | 25,650*         | 70.5            | 21,310*         |
|                  | 100               | 62.9           | 26,560*         | 65.2            | 25,070*         | 67.3            | 20,000*         |
|                  | 110               | 59.7           | 24,260          | 61.9            | 23,410*         | 63.9            | 18,900*         |
|                  | 120               | 56.3           | 21,380          | 58.5            | 21,380          | 60.4            | 17,980*         |
|                  | 130               | 52.7           | 18,970          | 54.9            | 18,980          | 56.8            | 17,160*         |
|                  | 140               | 49.0           | 16,940          | 51.1            | 16,950          | 53.0            | 16,430*         |
|                  | 150               | 45.0           | 15,210          | 47.1            | 15,210          | 48.8            | 15,230          |

|                  |     |      |         |      |         |      |         |
|------------------|-----|------|---------|------|---------|------|---------|
|                  | 39  | 80.9 | 32,000* | -    | -       | -    | -       |
|                  | 40  | 80.6 | 32,000* | -    | -       | -    | -       |
|                  | 50  | 77.5 | 30,800* | 80.1 | 28,220* | -    | -       |
|                  | 60  | 74.4 | 29,810* | 76.9 | 27,440* | 79.3 | 25,670* |
| 140'<br>(42.7 m) | 70  | 71.3 | 28,740* | 73.8 | 26,710* | 76.1 | 24,150* |
|                  | 80  | 68.1 | 27,890* | 70.5 | 26,030* | 72.8 | 22,350* |
|                  | 90  | 64.8 | 27,100* | 67.2 | 25,460* | 69.4 | 20,920* |
|                  | 100 | 61.4 | 26,290* | 63.8 | 24,300* | 65.9 | 19,600* |
|                  | 110 | 57.9 | 24,660  | 60.2 | 22,720* | 62.3 | 18,520* |
|                  | 120 | 54.2 | 21,770  | 56.5 | 21,310* | 58.6 | 17,570* |
|                  | 130 | 50.3 | 19,370  | 52.6 | 19,380  | 54.6 | 16,750* |
|                  | 140 | 46.3 | 17,350  | 48.5 | 17,350  | 50.4 | 16,100* |

|                  |     |      |         |      |         |      |         |
|------------------|-----|------|---------|------|---------|------|---------|
|                  | 42  | 81.0 | 31,940* | -    | -       | -    | -       |
|                  | 50  | 78.7 | 31,170* | -    | -       | -    | -       |
|                  | 60  | 76.0 | 30,160* | 78.2 | 27,640* | 80.3 | 25,700* |
|                  | 70  | 73.1 | 29,170* | 75.4 | 26,930* | 77.5 | 24,960* |
|                  | 80  | 70.3 | 28,340* | 72.5 | 26,380* | 74.5 | 23,220* |
|                  | 90  | 67.3 | 27,610* | 69.5 | 25,740* | 71.5 | 21,690* |
| 160'<br>(48.8 m) | 100 | 64.3 | 26,890* | 66.5 | 25,190* | 68.5 | 20,400* |
|                  | 110 | 61.2 | 23,840  | 63.4 | 23,850  | 65.3 | 19,340* |
|                  | 120 | 58.1 | 20,950  | 60.2 | 20,960  | 62.1 | 18,340* |
|                  | 130 | 54.8 | 18,540  | 56.9 | 18,550  | 58.7 | 17,500* |
|                  | 140 | 51.3 | 16,510  | 53.4 | 16,520  | 55.2 | 16,530  |
|                  | 150 | 47.7 | 14,770  | 49.7 | 14,780  | 51.4 | 14,790  |
|                  | 160 | 43.8 | 13,280  | 45.8 | 13,290  | 47.4 | 13,300  |

**WITH 77SI OFFSET TIP BOOM AND 116,400 POUND COUNTERWEIGHT**  
**#16HL JIB**

108,400 lb + 8,000 lb carbody counterweight

360°

ANSI B 30.5

**50' (15.2 m) Jib length**

| Boom length          | Jib Radius (Feet) | 5.0 Deg offset |                 | 15.0 Deg offset |                 | 25.0 Deg offset |                 |
|----------------------|-------------------|----------------|-----------------|-----------------|-----------------|-----------------|-----------------|
|                      |                   | Boom Angle     | Rating (Pounds) | Boom Angle      | Rating (Pounds) | Boom Angle      | Rating (Pounds) |
|                      | 44                | 80.8           | 31,790*         | -               | -               | -               | -               |
|                      | 50                | 79.3           | 31,190*         | -               | -               | -               | -               |
|                      | 60                | 76.6           | 30,230*         | 78.8            | 27,630*         | 80.8            | 25,710*         |
|                      | 70                | 73.9           | 29,400*         | 76.1            | 27,080*         | 78.1            | 25,240*         |
|                      | 80                | 71.2           | 28,560*         | 73.3            | 26,430*         | 75.3            | 23,620*         |
|                      | 90                | 68.4           | 27,740*         | 70.5            | 25,900*         | 72.5            | 22,120*         |
| <b>170' (51.8 m)</b> | 100               | 65.6           | 26,960          | 67.7            | 25,390*         | 69.6            | 20,860*         |
|                      | 110               | 62.7           | 23,430          | 64.7            | 23,430          | 66.6            | 19,740*         |
|                      | 120               | 59.7           | 20,530          | 61.7            | 20,540          | 63.6            | 18,750*         |
|                      | 130               | 56.6           | 18,120          | 58.6            | 18,130          | 60.4            | 17,850*         |
|                      | 140               | 53.4           | 16,090          | 55.4            | 16,100          | 57.1            | 16,110          |
|                      | 150               | 50.1           | 14,350          | 52.0            | 14,350          | 53.7            | 14,370          |
|                      | 160               | 46.5           | 12,850          | 48.5            | 12,860          | 50.0            | 12,870          |
|                      | 170               | 42.8           | 11,540          | 44.7            | 11,550          | 46.2            | 11,560          |

|                      |     |      |         |      |         |      |         |
|----------------------|-----|------|---------|------|---------|------|---------|
|                      | 45  | 81.0 | 31,770* | -    | -       | -    | -       |
|                      | 50  | 79.7 | 31,230* | -    | -       | -    | -       |
|                      | 60  | 77.2 | 30,360* | 79.3 | 27,700* | -    | -       |
|                      | 70  | 74.6 | 29,520* | 76.7 | 27,140* | 78.6 | 25,220* |
|                      | 80  | 72.0 | 28,650* | 74.1 | 26,540* | 76.0 | 23,960* |
|                      | 90  | 69.4 | 27,990* | 71.4 | 25,950* | 73.3 | 22,470* |
| <b>180' (54.9 m)</b> | 100 | 66.7 | 26,590  | 68.7 | 25,480* | 70.5 | 21,210* |
|                      | 110 | 64.0 | 23,050  | 65.9 | 23,060  | 67.7 | 20,100* |
|                      | 120 | 61.1 | 20,160  | 63.1 | 20,170  | 64.9 | 19,070* |
|                      | 130 | 58.2 | 17,750  | 60.2 | 17,750  | 61.9 | 17,770  |
|                      | 140 | 55.2 | 15,710  | 57.2 | 15,720  | 58.8 | 15,730  |
|                      | 150 | 52.1 | 13,970  | 54.0 | 13,970  | 55.6 | 13,990  |
|                      | 160 | 48.9 | 12,470  | 50.7 | 12,470  | 52.3 | 12,490  |
|                      | 170 | 45.4 | 11,150  | 47.3 | 11,160  | 48.8 | 11,170  |
|                      | 180 | 41.8 | 10,000  | 43.6 | 10,010  | 45.0 | 10,030  |

|                      |     |      |         |      |         |      |         |
|----------------------|-----|------|---------|------|---------|------|---------|
|                      | 47  | 80.9 | 31,550* | -    | -       | -    | -       |
|                      | 50  | 80.2 | 31,380* | -    | -       | -    | -       |
|                      | 60  | 77.7 | 30,470* | 79.7 | 27,760* | -    | -       |
|                      | 70  | 75.3 | 29,610* | 77.3 | 27,170* | 79.1 | 25,220* |
|                      | 80  | 72.8 | 28,830* | 74.8 | 26,540* | 76.6 | 24,260* |
|                      | 90  | 70.3 | 28,090* | 72.2 | 26,080* | 74.0 | 22,820* |
| <b>190' (57.9 m)</b> | 100 | 67.7 | 26,170  | 69.7 | 25,530* | 71.4 | 21,520* |
|                      | 110 | 65.1 | 22,630  | 67.0 | 22,640  | 68.8 | 20,420* |
|                      | 120 | 62.5 | 19,740  | 64.3 | 19,740  | 66.0 | 19,400* |
|                      | 130 | 59.7 | 17,320  | 61.6 | 17,330  | 63.2 | 17,340  |
|                      | 140 | 56.9 | 15,280  | 58.8 | 15,290  | 60.4 | 15,300  |
|                      | 150 | 54.0 | 13,540  | 55.8 | 13,540  | 57.4 | 13,560  |
|                      | 160 | 50.9 | 12,030  | 52.8 | 12,040  | 54.3 | 12,060  |
|                      | 170 | 47.8 | 10,720  | 49.5 | 10,720  | 51.0 | 10,740  |
|                      | 180 | 44.4 | 9,560   | 46.2 | 9,570   | 47.6 | 9,590   |
|                      | 190 | 40.8 | 8,540   | 42.5 | 8,550   | 43.9 | 8,570   |

| Boom length          | Jib Radius (Feet) | 5.0 Deg offset |                 | 15.0 Deg offset |                 | 25.0 Deg offset |                 |
|----------------------|-------------------|----------------|-----------------|-----------------|-----------------|-----------------|-----------------|
|                      |                   | Boom Angle     | Rating (Pounds) | Boom Angle      | Rating (Pounds) | Boom Angle      | Rating (Pounds) |
|                      | 49                | 80.8           | 31,430*         | -               | -               | -               | -               |
|                      | 50                | 80.6           | 31,320*         | -               | -               | -               | -               |
|                      | 60                | 78.2           | 30,580*         | 80.1            | 27,800*         | -               | -               |
|                      | 70                | 75.9           | 29,760*         | 77.8            | 27,210*         | 79.6            | 25,200*         |
|                      | 80                | 73.5           | 29,010*         | 75.4            | 26,650*         | 77.1            | 24,550*         |
|                      | 90                | 71.1           | 28,290*         | 73.0            | 26,090*         | 74.7            | 23,100*         |
|                      | 100               | 68.7           | 25,760          | 70.5            | 25,700*         | 72.2            | 21,810*         |
|                      | 110               | 66.2           | 22,220          | 68.0            | 22,230          | 69.7            | 20,740*         |
| <b>200' (61.0 m)</b> | 120               | 63.6           | 19,320          | 65.5            | 19,330          | 67.1            | 19,340          |
|                      | 130               | 61.0           | 16,910          | 62.9            | 16,910          | 64.5            | 16,930          |
|                      | 140               | 58.4           | 14,870          | 60.2            | 14,870          | 61.7            | 14,890          |
|                      | 150               | 55.6           | 13,120          | 57.4            | 13,130          | 58.9            | 13,140          |
|                      | 160               | 52.8           | 11,600          | 54.5            | 11,610          | 56.0            | 11,630          |
|                      | 170               | 49.8           | 10,290          | 51.6            | 10,300          | 53.0            | 10,310          |
|                      | 180               | 46.7           | 9,140           | 48.4            | 9,140           | 49.8            | 9,160           |
|                      | 190               | 43.5           | 8,110           | 45.1            | 8,120           | 46.4            | 8,140           |
|                      | 200               | 40.0           | 7,210           | 41.6            | 7,220           | 42.8            | 7,240           |

|                      |     |      |         |      |         |      |         |
|----------------------|-----|------|---------|------|---------|------|---------|
|                      | 50  | 80.9 | 31,350* | -    | -       | -    | -       |
|                      | 60  | 78.7 | 30,550* | 80.5 | 27,740* | -    | -       |
|                      | 70  | 76.4 | 29,800* | 78.3 | 27,230* | 80.0 | 25,170* |
|                      | 80  | 74.2 | 29,040* | 76.0 | 26,620* | 77.7 | 24,770* |
|                      | 90  | 71.9 | 28,360* | 73.7 | 26,200* | 75.3 | 23,470* |
|                      | 100 | 69.5 | 25,340  | 71.3 | 25,350  | 72.9 | 22,180* |
|                      | 110 | 67.1 | 21,800  | 68.9 | 21,800  | 70.5 | 21,080* |
|                      | 120 | 64.7 | 18,890  | 66.5 | 18,900  | 68.1 | 18,910  |
| <b>210' (64.0 m)</b> | 130 | 62.3 | 16,470  | 64.0 | 16,480  | 65.6 | 16,490  |
|                      | 140 | 59.7 | 14,430  | 61.5 | 14,440  | 63.0 | 14,450  |
|                      | 150 | 57.1 | 12,680  | 58.9 | 12,690  | 60.3 | 12,700  |
|                      | 160 | 54.5 | 11,160  | 56.2 | 11,170  | 57.6 | 11,190  |
|                      | 170 | 51.7 | 9,850   | 53.4 | 9,860   | 54.8 | 9,870   |
|                      | 180 | 48.8 | 8,690   | 50.4 | 8,700   | 51.8 | 8,710   |
|                      | 190 | 45.8 | 7,670   | 47.4 | 7,670   | 48.7 | 7,690   |
|                      | 200 | 42.6 | 6,760   | 44.2 | 6,760   | 45.4 | 6,780   |
|                      | 210 | 39.1 | 5,950   | 40.7 | 5,960   | 41.8 | 5,980   |

|                      |     |      |         |      |         |      |         |
|----------------------|-----|------|---------|------|---------|------|---------|
|                      | 52  | 80.8 | 31,140* | -    | -       | -    | -       |
|                      | 60  | 79.1 | 30,600* | 80.9 | 27,680* | -    | -       |
|                      | 70  | 76.9 | 29,800* | 78.7 | 27,140* | 80.4 | 25,100* |
|                      | 80  | 74.8 | 29,070* | 76.5 | 26,710* | 78.1 | 24,800* |
|                      | 90  | 72.6 | 28,420* | 74.3 | 26,190* | 75.9 | 23,730* |
|                      | 100 | 70.3 | 24,920  | 72.0 | 24,930  | 73.6 | 22,420* |
|                      | 110 | 68.0 | 21,380  | 69.8 | 21,380  | 71.3 | 21,380* |
|                      | 120 | 65.7 | 18,470  | 67.4 | 18,470  | 69.0 | 18,490  |
| <b>220' (67.1 m)</b> | 130 | 63.4 | 16,050  | 65.1 | 16,060  | 66.6 | 16,070  |
|                      | 140 | 61.0 | 14,010  | 62.6 | 14,010  | 64.1 | 14,030  |
|                      | 150 | 58.5 | 12,260  | 60.2 | 12,260  | 61.6 | 12,280  |
|                      | 160 | 56.0 | 10,740  | 57.6 | 10,740  | 59.0 | 10,760  |
|                      | 170 | 53.4 | 9,420   | 55.0 | 9,430   | 56.3 | 9,440   |
|                      | 180 | 50.6 | 8,260   | 52.2 | 8,270   | 53.6 | 8,280   |
|                      | 190 | 47.8 | 7,230   | 49.4 | 7,240   | 50.7 | 7,250   |
|                      | 200 | 44.8 | 6,320   | 46.4 | 6,330   | 47.6 | 6,340   |
|                      | 210 | 41.7 | 5,510   | 43.2 | 5,520   | 44.4 | 5,530   |
|                      | 220 | 38.4 | 4,780   | 39.9 | 4,790   | 40.9 | 4,800   |



**WITH 77SI OFFSET TIP BOOM AND 116,400 POUND COUNTERWEIGHT  
#16HL JIB**

108,400 lb + 8,000 lb carbody counterweight

360°

ANSI B 30.5

**50' (15.2 m) Jib length**

| Boom length          | Jib Radius (Feet) | 5.0 Deg offset |                 | 15.0 Deg offset |                 | 25.0 Deg offset |                 |
|----------------------|-------------------|----------------|-----------------|-----------------|-----------------|-----------------|-----------------|
|                      |                   | Boom Angle     | Rating (Pounds) | Boom Angle      | Rating (Pounds) | Boom Angle      | Rating (Pounds) |
|                      | 53                | 81.0           | 31,080*         | -               | -               | -               | -               |
|                      | 60                | 79.5           | 30,600*         | -               | -               | -               | -               |
|                      | 70                | 77.4           | 29,850*         | 79.1            | 27,190*         | 80.7            | 24,980*         |
|                      | 80                | 75.3           | 29,110*         | 77.0            | 26,710*         | 78.6            | 24,700*         |
|                      | 90                | 73.2           | 28,480*         | 74.9            | 26,190*         | 76.4            | 23,990*         |
|                      | 100               | 71.0           | 24,530          | 72.7            | 24,540          | 74.2            | 22,790*         |
|                      | 110               | 68.9           | 20,990          | 70.5            | 20,990          | 72.0            | 21,010          |
|                      | 120               | 66.7           | 18,080          | 68.3            | 18,080          | 69.8            | 18,100          |
| <b>230' (70.1 m)</b> | 130               | 64.4           | 15,660          | 66.0            | 15,670          | 67.5            | 15,680          |
|                      | 140               | 62.1           | 13,610          | 63.7            | 13,620          | 65.2            | 13,630          |
|                      | 150               | 59.8           | 11,860          | 61.4            | 11,870          | 62.8            | 11,880          |
|                      | 160               | 57.3           | 10,340          | 58.9            | 10,350          | 60.3            | 10,360          |
|                      | 170               | 54.9           | 9,010           | 56.4            | 9,020           | 57.8            | 9,030           |
|                      | 180               | 52.3           | 7,860           | 53.9            | 7,870           | 55.2            | 7,880           |
|                      | 190               | 49.7           | 6,830           | 51.2            | 6,840           | 52.5            | 6,850           |
|                      | 200               | 46.9           | 5,910           | 48.4            | 5,920           | 49.6            | 5,940           |
|                      | 210               | 44.0           | 5,100           | 45.5            | 5,110           | 46.6            | 5,120           |
|                      | 220               | 40.9           | 4,360           | 42.4            | 4,370           | 43.5            | 4,390           |
|                      | 230               | 37.6           | 3,710           | 39.1            | 3,720           | 40.1            | 3,740           |

| Boom length          | Jib Radius (Feet) | 5.0 Deg offset |                 | 15.0 Deg offset |                 | 25.0 Deg offset |                 |
|----------------------|-------------------|----------------|-----------------|-----------------|-----------------|-----------------|-----------------|
|                      |                   | Boom Angle     | Rating (Pounds) | Boom Angle      | Rating (Pounds) | Boom Angle      | Rating (Pounds) |
|                      | 56                | 81.0           | 30,720*         | -               | -               | -               | -               |
|                      | 60                | 80.2           | 30,390*         | -               | -               | -               | -               |
|                      | 70                | 78.3           | 29,780*         | 79.9            | 27,030*         | -               | -               |
|                      | 80                | 76.3           | 29,170*         | 77.9            | 26,550*         | 79.4            | 24,540*         |
|                      | 90                | 74.3           | 28,130          | 75.9            | 26,120*         | 77.4            | 24,260*         |
|                      | 100               | 72.4           | 23,700          | 73.9            | 23,710          | 75.3            | 23,310*         |
|                      | 110               | 70.3           | 20,150          | 71.9            | 20,150          | 73.3            | 20,170          |
|                      | 120               | 68.3           | 17,240          | 69.8            | 17,240          | 71.2            | 17,250          |
| <b>250' (76.2 m)</b> | 130               | 66.2           | 14,810          | 67.8            | 14,810          | 69.1            | 14,820          |
|                      | 140               | 64.1           | 12,760          | 65.6            | 12,760          | 67.0            | 12,780          |
|                      | 150               | 62.0           | 11,000          | 63.5            | 11,010          | 64.8            | 11,020          |
|                      | 160               | 59.8           | 9,480           | 61.3            | 9,490           | 62.6            | 9,500           |
|                      | 170               | 57.5           | 8,150           | 59.0            | 8,160           | 60.3            | 8,170           |
|                      | 180               | 55.2           | 6,980           | 56.7            | 6,990           | 57.9            | 7,000           |
|                      | 190               | 52.8           | 5,960           | 54.3            | 5,960           | 55.5            | 5,980           |
|                      | 200               | 50.4           | 5,030           | 51.8            | 5,040           | 53.0            | 5,060           |
|                      | 210               | 47.9           | 4,210           | 49.3            | 4,210           | 50.4            | 4,230           |
|                      | 220               | 45.2           | 3,470           | 46.6            | 3,480           | 47.7            | 3,500           |
|                      | 230               | 42.4           | 2,810           | 43.8            | 2,820           | 44.8            | 2,840           |
|                      | 240               | 39.5           | 2,210           | 40.8            | 2,220           | 41.8            | 2,240           |

|                      |     |      |         |      |         |      |         |
|----------------------|-----|------|---------|------|---------|------|---------|
|                      | 55  | 80.9 | 30,840* | -    | -       | -    | -       |
|                      | 60  | 79.9 | 30,530* | -    | -       | -    | -       |
|                      | 70  | 77.9 | 29,880* | 79.5 | 27,100* | -    | -       |
|                      | 80  | 75.8 | 29,190* | 77.5 | 26,690* | 79.0 | 24,610* |
|                      | 90  | 73.8 | 28,540  | 75.4 | 26,250* | 76.9 | 24,230* |
|                      | 100 | 71.7 | 24,110  | 73.3 | 24,120  | 74.8 | 23,040* |
|                      | 110 | 69.6 | 20,570  | 71.2 | 20,570  | 72.7 | 20,590  |
|                      | 120 | 67.5 | 17,660  | 69.1 | 17,660  | 70.5 | 17,670  |
| <b>240' (73.2 m)</b> | 130 | 65.3 | 15,230  | 66.9 | 15,230  | 68.3 | 15,250  |
|                      | 140 | 63.1 | 13,180  | 64.7 | 13,190  | 66.1 | 13,200  |
|                      | 150 | 60.9 | 11,430  | 62.5 | 11,430  | 63.8 | 11,450  |
|                      | 160 | 58.6 | 9,900   | 60.1 | 9,910   | 61.5 | 9,930   |
|                      | 170 | 56.3 | 8,590   | 57.8 | 8,590   | 59.1 | 8,610   |
|                      | 180 | 53.8 | 7,420   | 55.3 | 7,430   | 56.6 | 7,440   |
|                      | 190 | 51.3 | 6,390   | 52.8 | 6,390   | 54.1 | 6,410   |
|                      | 200 | 48.7 | 5,470   | 50.2 | 5,470   | 51.4 | 5,490   |
|                      | 210 | 46.0 | 4,650   | 47.5 | 4,660   | 48.6 | 4,680   |
|                      | 220 | 43.2 | 3,910   | 44.6 | 3,920   | 45.7 | 3,940   |
|                      | 230 | 40.2 | 3,250   | 41.6 | 3,260   | 42.6 | 3,280   |
|                      | 240 | 37.0 | 2,660   | 38.3 | 2,670   | 39.3 | 2,690   |

**60' (18.3 m) Jib length**

| Boom length          | Jib Radius (Feet) | 5.0 Deg offset |                 | 15.0 Deg offset |                 | 25.0 Deg offset |                 |
|----------------------|-------------------|----------------|-----------------|-----------------|-----------------|-----------------|-----------------|
|                      |                   | Boom Angle     | Rating (Pounds) | Boom Angle      | Rating (Pounds) | Boom Angle      | Rating (Pounds) |
|                      | 43                | 80.9           | 28,920*         | -               | -               | -               | -               |
|                      | 50                | 79.0           | 28,190*         | -               | -               | -               | -               |
|                      | 60                | 76.2           | 27,190*         | 78.9            | 24,740*         | -               | -               |
|                      | 70                | 73.4           | 26,160*         | 76.1            | 24,040*         | 78.6            | 21,560*         |
|                      | 80                | 70.5           | 25,280*         | 73.2            | 23,380*         | 75.7            | 20,000*         |
|                      | 90                | 67.6           | 24,480*         | 70.2            | 22,750*         | 72.7            | 18,670*         |
| <b>150' (45.7 m)</b> | 100               | 64.6           | 23,780*         | 67.2            | 21,830*         | 69.6            | 17,500*         |
|                      | 110               | 61.5           | 23,100*         | 64.1            | 20,370*         | 66.5            | 16,520*         |
|                      | 120               | 58.3           | 21,540          | 60.9            | 19,080*         | 63.2            | 15,660*         |
|                      | 130               | 55.0           | 19,130          | 57.6            | 18,020*         | 59.8            | 14,880*         |
|                      | 140               | 51.6           | 17,100          | 54.1            | 17,060*         | 56.3            | 14,230*         |
|                      | 150               | 47.9           | 15,360          | 50.4            | 15,370          | 52.5            | 13,700*         |

| Boom length          | Jib Radius (Feet) | 5.0 Deg offset |                 | 15.0 Deg offset |                 | 25.0 Deg offset |                 |
|----------------------|-------------------|----------------|-----------------|-----------------|-----------------|-----------------|-----------------|
|                      |                   | Boom Angle     | Rating (Pounds) | Boom Angle      | Rating (Pounds) | Boom Angle      | Rating (Pounds) |
|                      | 45                | 80.8           | 28,710*         | -               | -               | -               | -               |
|                      | 50                | 79.5           | 28,220*         | -               | -               | -               | -               |
|                      | 60                | 76.8           | 27,220*         | 79.4            | 24,690*         | -               | -               |
|                      | 70                | 74.1           | 26,330*         | 76.7            | 24,110*         | 79.2            | 21,790*         |
|                      | 80                | 71.4           | 25,470*         | 74.0            | 23,480*         | 76.4            | 20,320*         |
|                      | 90                | 68.6           | 24,710*         | 71.2            | 22,890*         | 73.5            | 18,950*         |
| <b>160' (48.8 m)</b> | 100               | 65.8           | 24,020*         | 68.3            | 22,290*         | 70.6            | 17,790*         |
|                      | 110               | 62.9           | 23,300*         | 65.4            | 20,920*         | 67.7            | 16,820*         |
|                      | 120               | 59.9           | 21,120          | 62.4            | 19,670*         | 64.6            | 15,980*         |
|                      | 130               | 56.8           | 18,710          | 59.3            | 18,550*         | 61.4            | 15,170*         |
|                      | 140               | 53.6           | 16,680          | 56.0            | 16,690          | 58.1            | 14,540*         |
|                      | 150               | 50.3           | 14,940          | 52.7            | 14,950          | 54.7            | 13,950*         |
|                      | 160               | 46.7           | 13,430          | 49.1            | 13,440          | 51.0            | 13,460          |

**WITH 77SI OFFSET TIP BOOM AND 116,400 POUND COUNTERWEIGHT**  
**#16HL JIB**

108,400 lb + 8,000 lb carbody counterweight

360°

ANSI B 30.5

**60' (18.3 m) Jib length**

| Boom length          | Jib Radius (Feet) | 5.0 Deg offset |                 | 15.0 Deg offset |                 | 25.0 Deg offset |                 |
|----------------------|-------------------|----------------|-----------------|-----------------|-----------------|-----------------|-----------------|
|                      |                   | Boom Angle     | Rating (Pounds) | Boom Angle      | Rating (Pounds) | Boom Angle      | Rating (Pounds) |
|                      | 46                | 81.0           | 28,710*         | -               | -               | -               | -               |
|                      | 50                | 79.9           | 28,370*         | -               | -               | -               | -               |
|                      | 60                | 77.4           | 27,410*         | 79.9            | 24,820*         | -               | -               |
|                      | 70                | 74.8           | 26,500*         | 77.3            | 24,100*         | 79.6            | 22,130*         |
|                      | 80                | 72.2           | 25,670*         | 74.7            | 23,590*         | 77.0            | 20,560*         |
|                      | 90                | 69.6           | 24,880*         | 72.0            | 22,940*         | 74.3            | 19,210*         |
| <b>170' (51.8 m)</b> | 100               | 66.9           | 24,210*         | 69.3            | 22,410*         | 71.6            | 18,150*         |
|                      | 110               | 64.2           | 23,560*         | 66.6            | 21,450*         | 68.8            | 17,160*         |
|                      | 120               | 61.4           | 20,710          | 63.7            | 20,120*         | 65.9            | 16,270*         |
|                      | 130               | 58.5           | 18,300          | 60.8            | 18,310          | 62.9            | 15,510*         |
|                      | 140               | 55.5           | 16,260          | 57.8            | 16,270          | 59.8            | 14,810*         |
|                      | 150               | 52.3           | 14,520          | 54.6            | 14,520          | 56.6            | 14,210*         |
|                      | 160               | 49.1           | 13,010          | 51.3            | 13,010          | 53.3            | 13,030          |
|                      | 170               | 45.6           | 11,700          | 47.9            | 11,710          | 49.7            | 11,730          |

|                      |     |      |         |      |         |      |         |
|----------------------|-----|------|---------|------|---------|------|---------|
|                      | 48  | 80.8 | 28,530* | -    | -       | -    | -       |
|                      | 50  | 80.4 | 28,420* | -    | -       | -    | -       |
|                      | 60  | 77.9 | 27,470* | 80.3 | 24,840* | -    | -       |
|                      | 70  | 75.5 | 26,670* | 77.9 | 24,210* | 80.1 | 22,280* |
|                      | 80  | 73.0 | 25,850* | 75.4 | 23,600* | 77.6 | 20,810* |
|                      | 90  | 70.5 | 25,060* | 72.8 | 23,080* | 75.0 | 19,570* |
| <b>180' (54.9 m)</b> | 100 | 67.9 | 24,410* | 70.3 | 22,540* | 72.4 | 18,400* |
|                      | 110 | 65.3 | 23,220  | 67.6 | 21,960* | 69.7 | 17,400* |
|                      | 120 | 62.7 | 20,330  | 64.9 | 20,330  | 67.0 | 16,570* |
|                      | 130 | 59.9 | 17,910  | 62.2 | 17,920  | 64.2 | 15,750* |
|                      | 140 | 57.1 | 15,870  | 59.3 | 15,880  | 61.3 | 15,070* |
|                      | 150 | 54.2 | 14,130  | 56.4 | 14,130  | 58.3 | 14,150  |
|                      | 160 | 51.1 | 12,620  | 53.3 | 12,630  | 55.2 | 12,650  |
|                      | 170 | 48.0 | 11,310  | 50.1 | 11,310  | 51.9 | 11,330  |
|                      | 180 | 44.6 | 10,160  | 46.7 | 10,170  | 48.4 | 10,190  |

|                      |     |      |         |      |         |      |         |
|----------------------|-----|------|---------|------|---------|------|---------|
|                      | 49  | 81.0 | 28,420* | -    | -       | -    | -       |
|                      | 50  | 80.8 | 28,350* | -    | -       | -    | -       |
|                      | 60  | 78.4 | 27,480* | 80.7 | 24,760* | -    | -       |
|                      | 70  | 76.1 | 26,720* | 78.4 | 24,200* | 80.5 | 22,240* |
|                      | 80  | 73.7 | 25,940* | 76.0 | 23,700* | 78.1 | 21,050* |
|                      | 90  | 71.3 | 25,200* | 73.6 | 23,090* | 75.6 | 19,790* |
| <b>190' (57.9 m)</b> | 100 | 68.9 | 24,580* | 71.1 | 22,630* | 73.2 | 18,670* |
|                      | 110 | 66.4 | 22,800  | 68.6 | 22,190* | 70.6 | 17,700* |
|                      | 120 | 63.8 | 19,900  | 66.0 | 19,910  | 68.0 | 16,790* |
|                      | 130 | 61.2 | 17,490  | 63.4 | 17,500  | 65.4 | 16,000* |
|                      | 140 | 58.6 | 15,450  | 60.7 | 15,450  | 62.7 | 15,360* |
|                      | 150 | 55.8 | 13,700  | 58.0 | 13,710  | 59.8 | 13,720  |
|                      | 160 | 53.0 | 12,190  | 55.1 | 12,200  | 56.9 | 12,220  |
|                      | 170 | 50.0 | 10,870  | 52.1 | 10,880  | 53.9 | 10,900  |
|                      | 180 | 46.9 | 9,730   | 49.0 | 9,730   | 50.7 | 9,750   |
|                      | 190 | 43.7 | 8,700   | 45.7 | 8,710   | 47.3 | 8,730   |

| Boom length          | Jib Radius (Feet) | 5.0 Deg offset |                 | 15.0 Deg offset |                 | 25.0 Deg offset |                 |
|----------------------|-------------------|----------------|-----------------|-----------------|-----------------|-----------------|-----------------|
|                      |                   | Boom Angle     | Rating (Pounds) | Boom Angle      | Rating (Pounds) | Boom Angle      | Rating (Pounds) |
|                      | 51                | 80.9           | 28,250*         | -               | -               | -               | -               |
|                      | 60                | 78.9           | 27,540*         | -               | -               | -               | -               |
|                      | 70                | 76.6           | 26,750*         | 78.8            | 24,200*         | 80.9            | 22,160*         |
|                      | 80                | 74.4           | 26,060*         | 76.5            | 23,690*         | 78.6            | 21,350*         |
|                      | 90                | 72.0           | 25,320*         | 74.2            | 23,160*         | 76.2            | 20,030*         |
|                      | 100               | 69.7           | 24,740*         | 71.9            | 22,720*         | 73.9            | 18,950*         |
| <b>200' (61.0 m)</b> | 110               | 67.3           | 22,390          | 69.5            | 22,220*         | 71.4            | 17,890*         |
|                      | 120               | 64.9           | 19,490          | 67.0            | 19,500          | 69.0            | 17,080*         |
|                      | 130               | 62.5           | 17,070          | 64.6            | 17,080          | 66.4            | 16,300*         |
|                      | 140               | 59.9           | 15,030          | 62.0            | 15,040          | 63.9            | 15,050          |
|                      | 150               | 57.3           | 13,280          | 59.4            | 13,290          | 61.2            | 13,310          |
|                      | 160               | 54.6           | 11,760          | 56.7            | 11,770          | 58.5            | 11,790          |
|                      | 170               | 51.9           | 10,450          | 53.9            | 10,460          | 55.6            | 10,480          |
|                      | 180               | 49.0           | 9,290           | 51.0            | 9,300           | 52.6            | 9,320           |
|                      | 190               | 45.9           | 8,270           | 47.9            | 8,280           | 49.5            | 8,290           |
|                      | 200               | 42.7           | 7,370           | 44.7            | 7,380           | 46.2            | 7,400           |

|                      |     |      |         |      |         |      |         |
|----------------------|-----|------|---------|------|---------|------|---------|
|                      | 53  | 80.8 | 28,110* | -    | -       | -    | -       |
|                      | 60  | 79.3 | 27,580* | -    | -       | -    | -       |
|                      | 70  | 77.1 | 26,900* | 79.2 | 24,200* | -    | -       |
|                      | 80  | 74.9 | 26,160* | 77.0 | 23,670* | 79.0 | 21,580* |
|                      | 90  | 72.7 | 25,440* | 74.8 | 23,200* | 76.8 | 20,280* |
|                      | 100 | 70.5 | 24,770* | 72.6 | 22,740* | 74.5 | 19,130* |
|                      | 110 | 68.2 | 21,970  | 70.3 | 21,970  | 72.2 | 18,220* |
|                      | 120 | 65.9 | 19,070  | 68.0 | 19,080  | 69.8 | 17,270* |
| <b>210' (64.0 m)</b> | 130 | 63.6 | 16,640  | 65.6 | 16,650  | 67.4 | 16,520* |
|                      | 140 | 61.2 | 14,600  | 63.2 | 14,610  | 65.0 | 14,620  |
|                      | 150 | 58.7 | 12,850  | 60.7 | 12,850  | 62.4 | 12,870  |
|                      | 160 | 56.1 | 11,340  | 58.1 | 11,350  | 59.9 | 11,360  |
|                      | 170 | 53.5 | 10,010  | 55.5 | 10,020  | 57.2 | 10,040  |
|                      | 180 | 50.8 | 8,850   | 52.8 | 8,860   | 54.4 | 8,880   |
|                      | 190 | 48.0 | 7,830   | 49.9 | 7,840   | 51.5 | 7,860   |
|                      | 200 | 45.0 | 6,920   | 46.9 | 6,930   | 48.4 | 6,950   |
|                      | 210 | 41.9 | 6,110   | 43.7 | 6,120   | 45.2 | 6,140   |

|                      |     |      |         |      |         |      |         |
|----------------------|-----|------|---------|------|---------|------|---------|
|                      | 54  | 80.9 | 27,970* | -    | -       | -    | -       |
|                      | 60  | 79.7 | 27,630* | -    | -       | -    | -       |
|                      | 70  | 77.6 | 26,930* | 79.6 | 24,190* | -    | -       |
|                      | 80  | 75.5 | 26,250* | 77.5 | 23,760* | 79.4 | 21,710* |
|                      | 90  | 73.4 | 25,540* | 75.4 | 23,270* | 77.3 | 20,450* |
|                      | 100 | 71.2 | 24,900* | 73.2 | 22,810* | 75.1 | 19,380* |
|                      | 110 | 69.0 | 21,550  | 71.0 | 21,550  | 72.9 | 18,380* |
|                      | 120 | 66.8 | 18,650  | 68.8 | 18,650  | 70.6 | 17,510* |
| <b>220' (67.1 m)</b> | 130 | 64.6 | 16,220  | 66.5 | 16,230  | 68.3 | 16,240  |
|                      | 140 | 62.3 | 14,170  | 64.2 | 14,180  | 66.0 | 14,200  |
|                      | 150 | 59.9 | 12,420  | 61.9 | 12,430  | 63.6 | 12,440  |
|                      | 160 | 57.5 | 10,910  | 59.4 | 10,920  | 61.1 | 10,930  |
|                      | 170 | 55.0 | 9,580   | 56.9 | 9,590   | 58.6 | 9,610   |
|                      | 180 | 52.5 | 8,420   | 54.4 | 8,430   | 56.0 | 8,440   |
|                      | 190 | 49.8 | 7,400   | 51.7 | 7,410   | 53.2 | 7,420   |
|                      | 200 | 47.1 | 6,480   | 48.9 | 6,490   | 50.4 | 6,510   |
|                      | 210 | 44.2 | 5,670   | 46.0 | 5,680   | 47.4 | 5,700   |
|                      | 220 | 41.1 | 4,930   | 42.9 | 4,940   | 44.2 | 4,960   |



**WITH 77SI OFFSET TIP BOOM AND 116,400 POUND COUNTERWEIGHT  
#16HL JIB**

108,400 lb + 8,000 lb carbody counterweight

360°

ANSI B 30.5

**60' (18.3 m) Jib length**

| Boom length          | Jib Radius (Feet) | 5.0 Deg offset |                 | 15.0 Deg offset |                 | 25.0 Deg offset |                 |
|----------------------|-------------------|----------------|-----------------|-----------------|-----------------|-----------------|-----------------|
|                      |                   | Boom Angle     | Rating (Pounds) | Boom Angle      | Rating (Pounds) | Boom Angle      | Rating (Pounds) |
|                      | 56                | 80.8           | 27,840*         | -               | -               | -               | -               |
|                      | 60                | 80.0           | 27,570*         | -               | -               | -               | -               |
|                      | 70                | 78.0           | 26,840*         | 80.0            | 24,130*         | -               | -               |
|                      | 80                | 76.0           | 26,230*         | 78.0            | 23,660*         | 79.8            | 21,720*         |
|                      | 90                | 74.0           | 25,540*         | 75.9            | 23,230*         | 77.7            | 20,700*         |
|                      | 100               | 71.9           | 24,710          | 73.8            | 22,800*         | 75.6            | 19,610*         |
|                      | 110               | 69.8           | 21,160          | 71.7            | 21,160          | 73.5            | 18,610*         |
|                      | 120               | 67.7           | 18,250          | 69.6            | 18,250          | 71.3            | 17,760*         |
| <b>230' (70.1 m)</b> | 130               | 65.5           | 15,830          | 67.4            | 15,830          | 69.1            | 15,850          |
|                      | 140               | 63.3           | 13,780          | 65.2            | 13,790          | 66.9            | 13,800          |
|                      | 150               | 61.1           | 12,030          | 62.9            | 12,030          | 64.6            | 12,050          |
|                      | 160               | 58.8           | 10,500          | 60.6            | 10,510          | 62.3            | 10,530          |
|                      | 170               | 56.4           | 9,190           | 58.3            | 9,190           | 59.9            | 9,210           |
|                      | 180               | 54.0           | 8,020           | 55.8            | 8,030           | 57.4            | 8,040           |
|                      | 190               | 51.5           | 6,990           | 53.3            | 7,000           | 54.8            | 7,010           |
|                      | 200               | 48.9           | 6,080           | 50.7            | 6,090           | 52.1            | 6,100           |
|                      | 210               | 46.2           | 5,250           | 47.9            | 5,260           | 49.4            | 5,280           |
|                      | 220               | 43.3           | 4,520           | 45.1            | 4,530           | 46.4            | 4,550           |
|                      | 230               | 40.3           | 3,860           | 42.0            | 3,870           | 43.3            | 3,900           |

| Boom length          | Jib Radius (Feet) | 5.0 Deg offset |                 | 15.0 Deg offset |                 | 25.0 Deg offset |                 |
|----------------------|-------------------|----------------|-----------------|-----------------|-----------------|-----------------|-----------------|
|                      |                   | Boom Angle     | Rating (Pounds) | Boom Angle      | Rating (Pounds) | Boom Angle      | Rating (Pounds) |
|                      | 59                | 80.9           | 27,460*         | -               | -               | -               | -               |
|                      | 60                | 80.7           | 27,450*         | -               | -               | -               | -               |
|                      | 70                | 78.8           | 26,780*         | 80.7            | 23,960*         | -               | -               |
|                      | 80                | 76.9           | 26,180*         | 78.8            | 23,590*         | 80.5            | 21,510*         |
|                      | 90                | 75.0           | 25,570*         | 76.9            | 23,140*         | 78.6            | 21,100*         |
|                      | 100               | 73.1           | 23,870          | 74.9            | 22,800*         | 76.6            | 20,000*         |
|                      | 110               | 71.2           | 20,320          | 73.0            | 20,320          | 74.6            | 19,030*         |
|                      | 120               | 69.2           | 17,400          | 71.0            | 17,410          | 72.6            | 17,430          |
|                      | 130               | 67.2           | 14,970          | 69.0            | 14,980          | 70.6            | 15,000          |
|                      | 140               | 65.2           | 12,930          | 66.9            | 12,930          | 68.5            | 12,950          |
| <b>250' (76.2 m)</b> | 150               | 63.1           | 11,170          | 64.9            | 11,180          | 66.4            | 11,190          |
|                      | 160               | 61.0           | 9,650           | 62.8            | 9,650           | 64.3            | 9,670           |
|                      | 170               | 58.9           | 8,320           | 60.6            | 8,330           | 62.1            | 8,350           |
|                      | 180               | 56.7           | 7,150           | 58.4            | 7,160           | 59.9            | 7,180           |
|                      | 190               | 54.4           | 6,120           | 56.1            | 6,130           | 57.6            | 6,140           |
|                      | 200               | 52.1           | 5,190           | 53.8            | 5,200           | 55.2            | 5,220           |
|                      | 210               | 49.7           | 4,370           | 51.3            | 4,380           | 52.7            | 4,400           |
|                      | 220               | 47.2           | 3,640           | 48.8            | 3,650           | 50.2            | 3,660           |
|                      | 230               | 44.6           | 2,970           | 46.2            | 2,980           | 47.5            | 3,000           |
|                      | 240               | 41.8           | 2,360           | 43.4            | 2,380           | 44.7            | 2,400           |
|                      | 250               | 38.9           | 1,820           | 40.5            | 1,830           | 41.6            | 1,860           |

|                      |     |      |         |      |         |      |         |
|----------------------|-----|------|---------|------|---------|------|---------|
|                      | 57  | 81.0 | 27,710* | -    | -       | -    | -       |
|                      | 60  | 80.4 | 27,520* | -    | -       | -    | -       |
|                      | 70  | 78.4 | 26,860* | 80.3 | 24,120* | -    | -       |
|                      | 80  | 76.5 | 26,200* | 78.4 | 23,660* | 80.2 | 21,650* |
|                      | 90  | 74.5 | 25,590* | 76.4 | 23,190* | 78.2 | 20,910* |
|                      | 100 | 72.5 | 24,280  | 74.4 | 22,850* | 76.1 | 19,810* |
|                      | 110 | 70.5 | 20,740  | 72.4 | 20,740  | 74.1 | 18,820* |
|                      | 120 | 68.5 | 17,830  | 70.3 | 17,830  | 72.0 | 17,850  |
| <b>240' (73.2 m)</b> | 130 | 66.4 | 15,400  | 68.2 | 15,400  | 69.9 | 15,420  |
|                      | 140 | 64.3 | 13,350  | 66.1 | 13,360  | 67.8 | 13,370  |
|                      | 150 | 62.1 | 11,590  | 63.9 | 11,600  | 65.6 | 11,620  |
|                      | 160 | 59.9 | 10,070  | 61.7 | 10,080  | 63.3 | 10,090  |
|                      | 170 | 57.7 | 8,750   | 59.5 | 8,760   | 61.0 | 8,770   |
|                      | 180 | 55.4 | 7,580   | 57.2 | 7,590   | 58.7 | 7,610   |
|                      | 190 | 53.0 | 6,550   | 54.8 | 6,550   | 56.3 | 6,570   |
|                      | 200 | 50.6 | 5,630   | 52.3 | 5,640   | 53.7 | 5,660   |
|                      | 210 | 48.0 | 4,810   | 49.7 | 4,820   | 51.1 | 4,830   |
|                      | 220 | 45.4 | 4,070   | 47.0 | 4,080   | 48.4 | 4,100   |
|                      | 230 | 42.6 | 3,410   | 44.2 | 3,420   | 45.5 | 3,440   |
|                      | 240 | 39.6 | 2,820   | 41.2 | 2,830   | 42.5 | 2,850   |

**70' (21.3 m) Jib length**

| Boom length          | Jib Radius (Feet) | 5.0 Deg offset |                 | 15.0 Deg offset |                 | 25.0 Deg offset |                 |
|----------------------|-------------------|----------------|-----------------|-----------------|-----------------|-----------------|-----------------|
|                      |                   | Boom Angle     | Rating (Pounds) | Boom Angle      | Rating (Pounds) | Boom Angle      | Rating (Pounds) |
|                      | 50                | 81.0           | 21,370*         | -               | -               | -               | -               |
|                      | 60                | 78.6           | 20,590*         | -               | -               | -               | -               |
|                      | 70                | 76.3           | 19,880*         | 78.9            | 17,820*         | -               | -               |
|                      | 80                | 73.9           | 19,250*         | 76.6            | 17,310*         | 79.1            | 15,880*         |
|                      | 90                | 71.5           | 18,560*         | 74.1            | 16,840*         | 76.6            | 15,420*         |
|                      | 100               | 69.1           | 18,010*         | 71.7            | 16,440*         | 74.1            | 14,990*         |
| <b>180' (54.9 m)</b> | 110               | 66.6           | 17,440*         | 69.2            | 15,960*         | 71.6            | 14,640*         |
|                      | 120               | 64.0           | 16,930*         | 66.6            | 15,480*         | 69.0            | 14,260*         |
|                      | 130               | 61.4           | 16,440*         | 64.0            | 15,000*         | 66.3            | 13,730*         |
|                      | 140               | 58.8           | 15,920*         | 61.3            | 14,640*         | 63.6            | 13,120*         |
|                      | 150               | 56.0           | 14,260          | 58.5            | 14,270          | 60.8            | 12,580*         |
|                      | 160               | 53.2           | 12,750          | 55.7            | 12,760          | 57.8            | 12,070*         |
|                      | 170               | 50.2           | 11,430          | 52.7            | 11,440          | 54.8            | 11,460          |
|                      | 180               | 47.1           | 10,290          | 49.5            | 10,300          | 51.6            | 10,320          |

**WITH 77SI OFFSET TIP BOOM AND 116,400 POUND COUNTERWEIGHT  
#16HL JIB**

108,400 lb + 8,000 lb carbody counterweight

360°

ANSI B 30.5

**70' (21.3 m) Jib length**

| Boom length          | Jib Radius (Feet) | 5.0 Deg offset Boom Angle | 5.0 Deg offset Rating (Pounds) | 15.0 Deg offset Boom Angle | 15.0 Deg offset Rating (Pounds) | 25.0 Deg offset Boom Angle | 25.0 Deg offset Rating (Pounds) |
|----------------------|-------------------|---------------------------|--------------------------------|----------------------------|---------------------------------|----------------------------|---------------------------------|
|                      | 52                | 80.9                      | 21,300*                        | -                          | -                               | -                          | -                               |
|                      | 60                | 79.1                      | 20,740*                        | -                          | -                               | -                          | -                               |
|                      | 70                | 76.8                      | 19,950*                        | 79.4                       | 17,910*                         | -                          | -                               |
|                      | 80                | 74.5                      | 19,320*                        | 77.1                       | 17,350*                         | 79.5                       | 15,870*                         |
|                      | 90                | 72.2                      | 18,740*                        | 74.8                       | 16,890*                         | 77.2                       | 15,440*                         |
|                      | 100               | 69.9                      | 18,130*                        | 72.4                       | 16,510*                         | 74.8                       | 15,020*                         |
| <b>190' (57.9 m)</b> | 110               | 67.5                      | 17,580*                        | 70.0                       | 16,110*                         | 72.3                       | 14,680*                         |
|                      | 120               | 65.1                      | 17,080*                        | 67.6                       | 15,600*                         | 69.9                       | 14,360*                         |
|                      | 130               | 62.6                      | 16,620*                        | 65.1                       | 15,130*                         | 67.3                       | 13,960*                         |
|                      | 140               | 60.1                      | 15,580                         | 62.6                       | 14,730*                         | 64.8                       | 13,320*                         |
|                      | 150               | 57.5                      | 13,830                         | 59.9                       | 13,840                          | 62.1                       | 12,790*                         |
|                      | 160               | 54.8                      | 12,320                         | 57.2                       | 12,330                          | 59.3                       | 12,310*                         |
|                      | 170               | 52.1                      | 11,000                         | 54.4                       | 11,010                          | 56.5                       | 11,030                          |
|                      | 180               | 49.2                      | 9,850                          | 51.5                       | 9,860                           | 53.5                       | 9,880                           |
|                      | 190               | 46.1                      | 8,830                          | 48.4                       | 8,840                           | 50.4                       | 8,860                           |

|                      |     |      |         |      |         |      |         |
|----------------------|-----|------|---------|------|---------|------|---------|
|                      | 53  | 81.0 | 21,240* | -    | -       | -    | -       |
|                      | 60  | 79.5 | 20,790* | -    | -       | -    | -       |
|                      | 70  | 77.3 | 20,110* | 79.8 | 17,920* | -    | -       |
|                      | 80  | 75.1 | 19,390* | 77.6 | 17,400* | 79.9 | 15,860* |
|                      | 90  | 72.9 | 18,830* | 75.4 | 16,940* | 77.7 | 15,520* |
|                      | 100 | 70.7 | 18,230* | 73.1 | 16,580* | 75.4 | 15,120* |
| <b>200' (61.0 m)</b> | 110 | 68.4 | 17,700* | 70.8 | 16,130* | 73.1 | 14,730* |
|                      | 120 | 66.1 | 17,210* | 68.5 | 15,720* | 70.7 | 14,420* |
|                      | 130 | 63.7 | 16,780* | 66.1 | 15,320* | 68.3 | 14,100* |
|                      | 140 | 61.3 | 15,170  | 63.7 | 14,870* | 65.8 | 13,550* |
|                      | 150 | 58.9 | 13,420  | 61.2 | 13,420  | 63.3 | 12,970* |
|                      | 160 | 56.3 | 11,900  | 58.7 | 11,910  | 60.7 | 11,920  |
|                      | 170 | 53.7 | 10,580  | 56.0 | 10,590  | 58.0 | 10,610  |
|                      | 180 | 51.0 | 9,420   | 53.3 | 9,430   | 55.2 | 9,450   |
|                      | 190 | 48.2 | 8,400   | 50.4 | 8,410   | 52.3 | 8,430   |
|                      | 200 | 45.2 | 7,490   | 47.4 | 7,500   | 49.2 | 7,520   |

|                      |     |      |         |      |         |      |         |
|----------------------|-----|------|---------|------|---------|------|---------|
|                      | 55  | 80.9 | 21,110* | -    | -       | -    | -       |
|                      | 60  | 79.9 | 20,840* | -    | -       | -    | -       |
|                      | 70  | 77.8 | 20,100* | 80.2 | 17,940* | -    | -       |
|                      | 80  | 75.7 | 19,530* | 78.0 | 17,440* | 80.3 | 15,840* |
|                      | 90  | 73.5 | 18,900* | 75.9 | 17,040* | 78.1 | 15,490* |
|                      | 100 | 71.4 | 18,420* | 73.7 | 16,630* | 75.9 | 15,130* |
|                      | 110 | 69.2 | 17,850* | 71.6 | 16,200* | 73.7 | 14,760* |
|                      | 120 | 67.0 | 17,380* | 69.3 | 15,860* | 71.5 | 14,470* |
| <b>210' (64.0 m)</b> | 130 | 64.8 | 16,780  | 67.1 | 15,400* | 69.2 | 14,160* |
|                      | 140 | 62.5 | 14,730  | 64.7 | 14,740  | 66.8 | 13,740* |
|                      | 150 | 60.1 | 12,980  | 62.4 | 12,990  | 64.4 | 13,010  |
|                      | 160 | 57.7 | 11,470  | 59.9 | 11,480  | 61.9 | 11,500  |
|                      | 170 | 55.2 | 10,140  | 57.4 | 10,150  | 59.4 | 10,170  |
|                      | 180 | 52.7 | 8,990   | 54.9 | 9,000   | 56.8 | 9,020   |
|                      | 190 | 50.0 | 7,960   | 52.2 | 7,970   | 54.0 | 7,990   |
|                      | 200 | 47.2 | 7,040   | 49.4 | 7,050   | 51.2 | 7,070   |
|                      | 210 | 44.3 | 6,230   | 46.5 | 6,240   | 48.2 | 6,260   |

| Boom length          | Jib Radius (Feet) | 5.0 Deg offset Boom Angle | 5.0 Deg offset Rating (Pounds) | 15.0 Deg offset Boom Angle | 15.0 Deg offset Rating (Pounds) | 25.0 Deg offset Boom Angle | 25.0 Deg offset Rating (Pounds) |
|----------------------|-------------------|---------------------------|--------------------------------|----------------------------|---------------------------------|----------------------------|---------------------------------|
|                      | 57                | 80.8                      | 21,020*                        | -                          | -                               | -                          | -                               |
|                      | 60                | 80.2                      | 20,800*                        | -                          | -                               | -                          | -                               |
|                      | 70                | 78.2                      | 20,170*                        | 80.5                       | 17,880*                         | -                          | -                               |
|                      | 80                | 76.2                      | 19,590*                        | 78.5                       | 17,420*                         | 80.6                       | 15,770*                         |
|                      | 90                | 74.1                      | 18,980*                        | 76.4                       | 17,010*                         | 78.6                       | 15,500*                         |
|                      | 100               | 72.1                      | 18,500*                        | 74.3                       | 16,610*                         | 76.4                       | 15,210*                         |
|                      | 110               | 70.0                      | 17,920*                        | 72.2                       | 16,260*                         | 74.3                       | 14,820*                         |
|                      | 120               | 67.8                      | 17,470*                        | 70.1                       | 15,920*                         | 72.1                       | 14,510*                         |
| <b>220' (67.1 m)</b> | 130               | 65.7                      | 16,360                         | 67.9                       | 15,550*                         | 69.9                       | 14,200*                         |
|                      | 140               | 63.5                      | 14,310                         | 65.7                       | 14,320                          | 67.7                       | 13,910*                         |
|                      | 150               | 61.2                      | 12,560                         | 63.4                       | 12,570                          | 65.4                       | 12,580                          |
|                      | 160               | 58.9                      | 11,040                         | 61.1                       | 11,050                          | 63.1                       | 11,070                          |
|                      | 170               | 56.6                      | 9,720                          | 58.8                       | 9,720                           | 60.6                       | 9,740                           |
|                      | 180               | 54.2                      | 8,550                          | 56.3                       | 8,560                           | 58.2                       | 8,580                           |
|                      | 190               | 51.7                      | 7,530                          | 53.8                       | 7,540                           | 55.6                       | 7,560                           |
|                      | 200               | 49.1                      | 6,610                          | 51.2                       | 6,620                           | 52.9                       | 6,640                           |
|                      | 210               | 46.4                      | 5,790                          | 48.4                       | 5,800                           | 50.1                       | 5,820                           |
|                      | 220               | 43.5                      | 5,060                          | 45.5                       | 5,070                           | 47.2                       | 5,090                           |

|                      |     |      |         |      |         |      |         |
|----------------------|-----|------|---------|------|---------|------|---------|
|                      | 58  | 80.9 | 20,970* | -    | -       | -    | -       |
|                      | 60  | 80.5 | 20,850* | -    | -       | -    | -       |
|                      | 70  | 78.6 | 20,270* | 80.8 | 17,900* | -    | -       |
|                      | 80  | 76.6 | 19,650* | 78.9 | 17,460* | 81.0 | 15,780* |
|                      | 90  | 74.7 | 19,050* | 76.9 | 17,050* | 79.0 | 15,520* |
|                      | 100 | 72.7 | 18,540* | 74.9 | 16,660* | 76.9 | 15,230* |
|                      | 110 | 70.7 | 18,070* | 72.9 | 16,280* | 74.9 | 14,910* |
|                      | 120 | 68.6 | 17,570* | 70.8 | 15,970* | 72.8 | 14,560* |
| <b>230' (70.1 m)</b> | 130 | 66.5 | 15,970  | 68.7 | 15,620* | 70.7 | 14,240* |
|                      | 140 | 64.4 | 13,920  | 66.6 | 13,930  | 68.5 | 13,940  |
|                      | 150 | 62.3 | 12,160  | 64.4 | 12,170  | 66.3 | 12,190  |
|                      | 160 | 60.1 | 10,640  | 62.2 | 10,650  | 64.1 | 10,670  |
|                      | 170 | 57.9 | 9,320   | 59.9 | 9,330   | 61.8 | 9,350   |
|                      | 180 | 55.5 | 8,150   | 57.6 | 8,160   | 59.4 | 8,180   |
|                      | 190 | 53.2 | 7,120   | 55.2 | 7,130   | 57.0 | 7,150   |
|                      | 200 | 50.7 | 6,200   | 52.8 | 6,210   | 54.5 | 6,230   |
|                      | 210 | 48.2 | 5,390   | 50.2 | 5,400   | 51.9 | 5,420   |
|                      | 220 | 45.5 | 4,640   | 47.5 | 4,650   | 49.1 | 4,670   |
|                      | 230 | 42.7 | 3,980   | 44.7 | 3,990   | 46.2 | 4,020   |

|                      |     |      |         |      |         |      |         |
|----------------------|-----|------|---------|------|---------|------|---------|
|                      | 60  | 80.8 | 20,810* | -    | -       | -    | -       |
|                      | 70  | 79.0 | 20,240* | -    | -       | -    | -       |
|                      | 80  | 77.1 | 19,710* | 79.2 | 17,460* | -    | -       |
|                      | 90  | 75.2 | 19,110* | 77.3 | 17,080* | 79.3 | 15,430* |
|                      | 100 | 73.3 | 18,650* | 75.4 | 16,700* | 77.4 | 15,190* |
|                      | 110 | 71.3 | 18,110* | 73.4 | 16,300* | 75.4 | 14,920* |
|                      | 120 | 69.3 | 17,630* | 71.5 | 16,000* | 73.4 | 14,580* |
|                      | 130 | 67.3 | 15,530  | 69.4 | 15,540  | 71.4 | 14,310* |
| <b>240' (73.2 m)</b> | 140 | 65.3 | 13,490  | 67.4 | 13,490  | 69.3 | 13,510  |
|                      | 150 | 63.3 | 11,730  | 65.3 | 11,740  | 67.2 | 11,760  |
|                      | 160 | 61.2 | 10,220  | 63.2 | 10,220  | 65.0 | 10,240  |
|                      | 170 | 59.0 | 8,880   | 61.1 | 8,890   | 62.9 | 8,910   |
|                      | 180 | 56.8 | 7,710   | 58.8 | 7,720   | 60.6 | 7,740   |
|                      | 190 | 54.6 | 6,690   | 56.6 | 6,700   | 58.3 | 6,720   |
|                      | 200 | 52.2 | 5,760   | 54.2 | 5,770   | 55.9 | 5,790   |
|                      | 210 | 49.8 | 4,940   | 51.8 | 4,950   | 53.4 | 4,970   |
|                      | 220 | 47.3 | 4,210   | 49.3 | 4,220   | 50.9 | 4,240   |
|                      | 230 | 44.7 | 3,530   | 46.6 | 3,540   | 48.2 | 3,570   |
|                      | 240 | 42.0 | 2,930   | 43.9 | 2,950   | 45.3 | 2,970   |



**WITH 77SI OFFSET TIP BOOM AND 116,400 POUND COUNTERWEIGHT  
#16HL JIB**

108,400 lb + 8,000 lb carbody counterweight

360°

ANSI B 30.5

**80' (24.4 m) Jib length**

| Boom length          | Jib Radius (Feet) | 5.0 Deg offset |                 | 15.0 Deg offset |                 | 25.0 Deg offset |                 |
|----------------------|-------------------|----------------|-----------------|-----------------|-----------------|-----------------|-----------------|
|                      |                   | Boom Angle     | Rating (Pounds) | Boom Angle      | Rating (Pounds) | Boom Angle      | Rating (Pounds) |
|                      | 56                | 80.9           | 16,550*         | -               | -               | -               | -               |
|                      | 60                | 80.0           | 16,300*         | -               | -               | -               | -               |
|                      | 70                | 77.9           | 15,600*         | 80.7            | 13,680*         | -               | -               |
|                      | 80                | 75.8           | 15,020*         | 78.6            | 13,260*         | -               | -               |
|                      | 90                | 73.7           | 14,470*         | 76.4            | 12,760*         | 79.0            | 11,270*         |
|                      | 100               | 71.6           | 14,000*         | 74.3            | 12,310*         | 76.8            | 10,920*         |
| <b>200' (61.0 m)</b> | 110               | 69.4           | 13,490*         | 72.1            | 11,870*         | 74.6            | 10,600*         |
|                      | 120               | 67.2           | 12,980*         | 69.8            | 11,470*         | 72.3            | 10,340*         |
|                      | 130               | 64.9           | 12,480*         | 67.6            | 11,080*         | 70.0            | 10,060*         |
|                      | 140               | 62.6           | 12,000*         | 65.3            | 10,760*         | 67.6            | 9,860*          |
|                      | 150               | 60.3           | 11,600*         | 62.9            | 10,450*         | 65.2            | 9,660*          |
|                      | 160               | 57.9           | 11,200*         | 60.5            | 10,190*         | 62.8            | 9,450*          |
|                      | 170               | 55.4           | 10,700          | 58.0            | 9,970*          | 60.2            | 9,290*          |
|                      | 180               | 52.8           | 9,550           | 55.4            | 9,560           | 57.6            | 9,150*          |
|                      | 190               | 50.2           | 8,520           | 52.7            | 8,530           | 54.8            | 8,550           |
|                      | 200               | 47.4           | 7,600           | 49.9            | 7,610           | 52.0            | 7,640           |

|                      |     |      |         |      |         |      |         |
|----------------------|-----|------|---------|------|---------|------|---------|
|                      | 57  | 81.0 | 16,490* | -    | -       | -    | -       |
|                      | 60  | 80.4 | 16,280* | -    | -       | -    | -       |
|                      | 70  | 78.4 | 15,710* | -    | -       | -    | -       |
|                      | 80  | 76.3 | 15,130* | 79.0 | 13,280* | -    | -       |
|                      | 90  | 74.3 | 14,550* | 76.9 | 12,850* | 79.4 | 11,290* |
|                      | 100 | 72.2 | 14,090* | 74.8 | 12,350* | 77.3 | 10,940* |
|                      | 110 | 70.1 | 13,600* | 72.7 | 11,950* | 75.1 | 10,640* |
|                      | 120 | 68.0 | 13,150* | 70.6 | 11,560* | 73.0 | 10,360* |
| <b>210' (64.0 m)</b> | 130 | 65.9 | 12,640* | 68.4 | 11,180* | 70.8 | 10,130* |
|                      | 140 | 63.7 | 12,160* | 66.2 | 10,840* | 68.5 | 9,900*  |
|                      | 150 | 61.4 | 11,750* | 63.9 | 10,540* | 66.2 | 9,670*  |
|                      | 160 | 59.1 | 11,350* | 61.6 | 10,280* | 63.9 | 9,490*  |
|                      | 170 | 56.8 | 10,280  | 59.2 | 10,020* | 61.4 | 9,320*  |
|                      | 180 | 54.3 | 9,110   | 56.8 | 9,120   | 58.9 | 9,140   |
|                      | 190 | 51.8 | 8,090   | 54.3 | 8,100   | 56.4 | 8,120   |
|                      | 200 | 49.2 | 7,170   | 51.6 | 7,180   | 53.7 | 7,200   |
|                      | 210 | 46.5 | 6,350   | 48.9 | 6,360   | 50.9 | 6,390   |

|                      |     |      |         |      |         |      |         |
|----------------------|-----|------|---------|------|---------|------|---------|
|                      | 59  | 80.9 | 16,420* | -    | -       | -    | -       |
|                      | 60  | 80.7 | 16,300* | -    | -       | -    | -       |
|                      | 70  | 78.8 | 15,750* | -    | -       | -    | -       |
|                      | 80  | 76.8 | 15,170* | 79.4 | 13,260* | -    | -       |
|                      | 90  | 74.8 | 14,630* | 77.4 | 12,880* | 79.8 | 11,310* |
|                      | 100 | 72.8 | 14,180* | 75.4 | 12,420* | 77.7 | 10,970* |
|                      | 110 | 70.8 | 13,690* | 73.3 | 12,010* | 75.7 | 10,670* |
|                      | 120 | 68.8 | 13,290* | 71.3 | 11,590* | 73.6 | 10,420* |
| <b>220' (67.1 m)</b> | 130 | 66.7 | 12,830* | 69.2 | 11,280* | 71.5 | 10,160* |
|                      | 140 | 64.6 | 12,350* | 67.1 | 10,920* | 69.3 | 9,930*  |
|                      | 150 | 62.5 | 11,930* | 64.9 | 10,620* | 67.1 | 9,730*  |
|                      | 160 | 60.3 | 11,170  | 62.7 | 10,340* | 64.9 | 9,520*  |
|                      | 170 | 58.0 | 9,850   | 60.4 | 9,860   | 62.6 | 9,380*  |
|                      | 180 | 55.7 | 8,680   | 58.1 | 8,690   | 60.2 | 8,710   |
|                      | 190 | 53.3 | 7,660   | 55.7 | 7,670   | 57.8 | 7,690   |
|                      | 200 | 50.9 | 6,730   | 53.2 | 6,750   | 55.2 | 6,770   |
|                      | 210 | 48.3 | 5,920   | 50.7 | 5,930   | 52.6 | 5,950   |
|                      | 220 | 45.7 | 5,180   | 48.0 | 5,190   | 49.8 | 5,220   |

| Boom length          | Jib Radius (Feet) | 5.0 Deg offset |                 | 15.0 Deg offset |                 | 25.0 Deg offset |                 |
|----------------------|-------------------|----------------|-----------------|-----------------|-----------------|-----------------|-----------------|
|                      |                   | Boom Angle     | Rating (Pounds) | Boom Angle      | Rating (Pounds) | Boom Angle      | Rating (Pounds) |
|                      | 61                | 80.8           | 16,310*         | -               | -               | -               | -               |
|                      | 70                | 79.1           | 15,790*         | -               | -               | -               | -               |
|                      | 80                | 77.2           | 15,220*         | 79.7            | 13,300*         | -               | -               |
|                      | 90                | 75.3           | 14,700*         | 77.8            | 12,920*         | 80.1            | 11,330*         |
|                      | 100               | 73.4           | 14,200*         | 75.9            | 12,480*         | 78.1            | 10,990*         |
|                      | 110               | 71.5           | 13,770*         | 73.9            | 12,080*         | 76.2            | 10,670*         |
|                      | 120               | 69.5           | 13,340*         | 71.9            | 11,670*         | 74.2            | 10,420*         |
|                      | 130               | 67.5           | 12,960*         | 69.9            | 11,320*         | 72.1            | 10,180*         |
| <b>230' (70.1 m)</b> | 140               | 65.5           | 12,480*         | 67.9            | 10,990*         | 70.1            | 9,970*          |
|                      | 150               | 63.4           | 12,030*         | 65.8            | 10,720*         | 67.9            | 9,740*          |
|                      | 160               | 61.3           | 10,780          | 63.7            | 10,440*         | 65.8            | 9,560*          |
|                      | 170               | 59.2           | 9,440           | 61.5            | 9,450           | 63.6            | 9,380*          |
|                      | 180               | 57.0           | 8,280           | 59.3            | 8,290           | 61.3            | 8,320           |
|                      | 190               | 54.7           | 7,250           | 57.0            | 7,260           | 59.0            | 7,280           |
|                      | 200               | 52.4           | 6,330           | 54.7            | 6,340           | 56.6            | 6,370           |
|                      | 210               | 50.0           | 5,510           | 52.2            | 5,520           | 54.2            | 5,550           |
|                      | 220               | 47.5           | 4,770           | 49.7            | 4,780           | 51.6            | 4,800           |
|                      | 230               | 44.9           | 4,100           | 47.1            | 4,120           | 48.9            | 4,140           |

|                      |     |      |         |      |         |      |         |
|----------------------|-----|------|---------|------|---------|------|---------|
|                      | 62  | 80.9 | 16,250* | -    | -       | -    | -       |
|                      | 70  | 79.5 | 15,800* | -    | -       | -    | -       |
|                      | 80  | 77.6 | 15,260* | 80.0 | 13,270* | -    | -       |
|                      | 90  | 75.8 | 14,760* | 78.2 | 12,950* | 80.4 | 11,340* |
|                      | 100 | 73.9 | 14,270* | 76.3 | 12,590* | 78.5 | 11,010* |
|                      | 110 | 72.1 | 13,840* | 74.4 | 12,140* | 76.6 | 10,710* |
|                      | 120 | 70.2 | 13,430* | 72.5 | 11,740* | 74.7 | 10,470* |
|                      | 130 | 68.3 | 13,050* | 70.6 | 11,420* | 72.7 | 10,190* |
| <b>240' (73.2 m)</b> | 140 | 66.3 | 12,630* | 68.6 | 11,080* | 70.7 | 9,990*  |
|                      | 150 | 64.3 | 11,870  | 66.6 | 10,790* | 68.7 | 9,780*  |
|                      | 160 | 62.3 | 10,340  | 64.6 | 10,350  | 66.7 | 9,570*  |
|                      | 170 | 60.2 | 9,020   | 62.5 | 9,030   | 64.5 | 9,050   |
|                      | 180 | 58.1 | 7,850   | 60.4 | 7,860   | 62.4 | 7,880   |
|                      | 190 | 56.0 | 6,810   | 58.2 | 6,820   | 60.2 | 6,840   |
|                      | 200 | 53.8 | 5,890   | 56.0 | 5,910   | 57.9 | 5,930   |
|                      | 210 | 51.5 | 5,070   | 53.7 | 5,080   | 55.6 | 5,110   |
|                      | 220 | 49.1 | 4,330   | 51.3 | 4,340   | 53.1 | 4,370   |
|                      | 230 | 46.7 | 3,670   | 48.8 | 3,680   | 50.6 | 3,700   |
|                      | 240 | 44.1 | 3,060   | 46.2 | 3,080   | 47.9 | 3,100   |



**NOTES TO LIFTING CAPACITY**

**⚠ Warning**

This rating chart is invalid if the crane has been modified or altered by use of other than GENUINE AMERICAN PARTS as such modifications or alterations may affect its capacity or safe operation. See American Crane Corporation Service Bulliten #259.

Ratings in this chart are in POUNDS and do not exceed the percentage of tipping specified for this crane by ANSI B30.5. All ratings require that the crane be standing level on a firm uniformly supporting surface.

Do not lift loads in excess of those shown on this chart. Lifting loads in excess of those shown or operation not in accordance with good operating practice, including limitations shown on page 3499 of Operator's Manual, can cause tipping, structural damage or catastrophic failure.

Asterisk (\*) areas on this chart indicate ratings which are limited by strength of material or factors other than stability (tipping).

„JIB RADIUS IN FEET“ is the horizontal distance at ground level from the crane centerline of rotation to a vertical line through the center of gravity of the suspended load.

When using the main boom fall with jib in place, the main fall ratings must be reduced by the jib effective weight shown on the jib rating chart plus twice the weight of all suspended blocks, slings, rope, etc., at the jib fall. See Appendix A.

When using the main boom fall with boom tip extension in place, the main fall ratings must be reduced by the weight of the boom tip extension plus twice the weight of all suspended blocks, slings, rope, etc., at the boom tip extension fall. See Appendix A.

Blocks, slings, buckets and other load carrying devices are considered part of the load. The weight of standard hoisting ropes for the rating at a given radius has been calculated as part of the boom point load and need not be considered in determining net allowable loads. See Appendix A.

Ratings shown on this chart make no allowance for such factors as out of plumb loads, wind, poor soil conditions, improper inflation of rubber tires and dynamic effects due to excessive operating speeds. The user (operator) must exercise judgement to make allowance for these conditions. See page 3499 of Operator's Manual for detailed information.

No account is taken of the wind force on the load. This effect, which can be substantial for loads with large surface areas, must be considered by the user. In any wind it is strongly recommended that taglines be used to control the load.

BOOM HOIST LINE is 14 parts of 7/8 inch diameter EIPS wire rope with a minimum breaking strength of 79,600 pound.

PENDANT SUSPENSION LINE is 4 parts of 1.375 inch diameter EEIPS wire rope with a minimum breaking strength of 211,000 pound.

JIB BACKSTAY LINE AND FRONTSTAY LINES are 2 parts of 0.875 inch diameter wire rope with a minimum breaking strength of 69,200 pound.

WHIP LINE – 1.125 inch diameter EIPS wire rope with a minimum breaking strength of 130,000 pound or

ALTERNATE WHIP LINE (ROTATION RESISTANT) – 1.125 inch diameter BRIDON ENDURANCE DYFORM 34LR Grade 2160 wire rope with a minimum breaking strength of 167,200 pound.

**ERECTION**

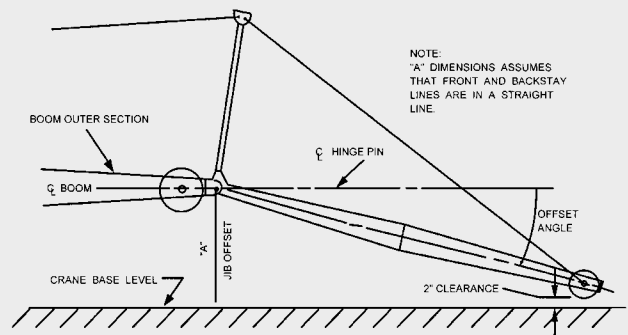
Erection „OVER THE END“ is with the boom over the idler end with idler tumblers blocked (See operator's manual for blocking instructions). Erection „OVER THE SIDE“ is with the boom 90° to the sideframes and with the side frames extended. Blocks, slings and other load carrying devices must be on the ground during erection.

| LOAD HOISTING INFORMATION - 1.125 inch diameter EIPS wire rope |                       |                                |             |
|--|-----------------------|--------------------------------|-------------|
| MAXIMUM LIFTING CAPACITY - LBS.                                | MINIMUM PARTS OF LINE | MAXIMUM HOISTING DISTANCE - FT |             |
|  |                       | MAIN (FRONT)                   | AUX. (REAR) |
| 32,000   | 1                     | 1,312                          | 1,312       |

| LOAD HOISTING INFORMATION (ROTATION RESISTANT LOAD LINE)<br>1.125 inch diameter BRIDON ENDURANCE DYFORM 34LR Grade 2160 wire rope |                       |                                  |             |
|---|-----------------------|----------------------------------|-------------|
| MAXIMUM LIFTING CAPACITY - LBS.   | MINIMUM PARTS OF LINE | MAXIMUM HOISTING DISTANCE - FEET |             |
|   |                       | MAIN (FRONT)                     | AUX. (REAR) |
| 32,000  | 1                     | 1,312                            | 1,312       |

| 77SI OFFSET TIP BOOM COMPOSITION CHART |                    |                      |                      |                      |                       |                        |                           |
|--|--------------------|----------------------|----------------------|----------------------|-----------------------|------------------------|---------------------------|
| BOOM LENGTH (METERS)                   | BOOM LENGTH (FEET) | BOOM SECTIONS        |                      |                      |                       |                        |                           |
|  |                    | 9.1 M 30' 77SI INNER | 3.0 M 10' 77S CENTER | 6.1 M 20' 77S CENTER | 15.2 M 50' 77S CENTER | 5.9 M 19.5' 77HL OUTER | 9.1 M 30' 77LA OFFSET TIP |
| 24.4 M                                 | 80                 | 1                    | 0                    | 0                    | 0                     | 1                      | 1                         |
| 27.4 M                                 | 90                 | 1                    | 1                    | 0                    | 0                     | 1                      | 1                         |
| 30.5 M                                 | 100                | 1                    | 0                    | 1                    | 0                     | 1                      | 1                         |
| 33.5 M                                 | 110                | 1                    | 1                    | 1                    | 0                     | 1                      | 1                         |
| 36.5 M                                 | 120                | 1                    | 0                    | 2                    | 0                     | 1                      | 1                         |
| 39.5 M                                 | 130                | 1                    | 0                    | 0                    | 1                     | 1                      | 1                         |
| 42.7 M                                 | 140                | 1                    | 1                    | 0                    | 1                     | 1                      | 1                         |
| 45.7 M                                 | 150                | 1                    | 0                    | 1                    | 1                     | 1                      | 1                         |
| 48.8 M                                 | 160                | 1                    | 1                    | 1                    | 1                     | 1                      | 1                         |
| 51.8 M                                 | 170                | 1                    | 0                    | 2                    | 1                     | 1                      | 1                         |
| 54.9 M                                 | 180                | 1                    | 0                    | 0                    | 2                     | 1                      | 1                         |
| 57.9 M                                 | 190                | 1                    | 1                    | 0                    | 2                     | 1                      | 1                         |
| 61.0 M                                 | 200                | 1                    | 0                    | 1                    | 2                     | 1                      | 1                         |
| 64.0 M                                 | 210                | 1                    | 1                    | 1                    | 2                     | 1                      | 1                         |
| 67.1 M                                 | 220                | 1                    | 0                    | 2                    | 2                     | 1                      | 1                         |
| 70.1 M                                 | 230                | 1                    | 0                    | 0                    | 3                     | 1                      | 1                         |
| 73.2 M                                 | 240                | 1                    | 1                    | 0                    | 3                     | 1                      | 1                         |
| 76.2 M                                 | 250                | 1                    | 0                    | 1                    | 3                     | 1                      | 1                         |
| 79.2 M                                 | 260                | 1                    | 1                    | 1                    | 3                     | 1                      | 1                         |
| 82.3 M                                 | 270                | 1                    | 0                    | 2                    | 3                     | 1                      | 1                         |

| 77SI OFFSET TIP BOOM<br>MAXIMUM BOOM & JIB SELF-ERECTION DATA |                  |                 |                  |                 |
|---|------------------|-----------------|------------------|-----------------|
|   | OVER THE END     |                 | OVER THE SIDE    |                 |
|   | BOOM LENGTH (FT) | JIB LENGTH (FT) | BOOM LENGTH (FT) | JIB LENGTH (FT) |
| #16HL JIB   | 270              | 0               | 240              | 0               |
|   | 260              | 0               | 230              | 60              |
|   | 250              | 60              | 220              | 80              |
|   | 240              | 80              |                  |                 |



| #16HL JIB COMPOSITION CHART |           |            |            |           |                          |                          |         |         |
|-----------------------------|-----------|------------|------------|-----------|--------------------------|--------------------------|---------|---------|
| JIB LENGTH (FEET)           | 20' INNER | 10' CENTER | 20' CENTER | 20' OUTER | EFF. JIB WEIGHT (POUNDS) | JIB OFFSET \"A\" IN FEET |         |         |
|                             |           |            |            |           |                          | 5'                       | 15'     | 25'     |
| 40                          | 1         | 0          | 0          | 1         | 1,500                    | 4'-10"                   | 10'- 2" | 15'- 1" |
| 50                          | 1         | 1          | 0          | 1         | 2,050                    | 5'- 8"                   | 12'- 1" | 18'- 3" |
| 60                          | 1         | 0          | 1          | 1         | 2,600                    | 6'- 6"                   | 13'-10" | 21'- 2" |
| 70                          | 1         | 1          | 1          | 1         | 3,150                    | 7'- 1"                   | 15'-10" | 24'- 4" |
| 80                          | 1         | 0          | 2          | 1         | 3,700                    | 7'- 9"                   | 17'- 8" | 27'- 4" |

## TECHNICAL DESCRIPTION

### HYDRAULIC CRAWLER CRANE

Maximum lifting capacity: 165 tons (149.6 tonnes).

#### Boom Systems:

77SI Tubular Boom w/ Offset Tip

- 270 ft (82.3 m) maximum boom length.
- 320 ft (240 ft + 80 ft) maximum boom and jib combination length.
- 77SI tubular chord boom, pin connected.
- 30 ft (19.8 m) inner, 19'5" outer base and 30 ft (19.8 m) outer and 10 / 20 / 50 ft (3 / 6 / 15 m) available inserts provide boom compositions in 10 ft (3 m) increments from 80 ft (24.4 m) to 270 ft (82.3 m).

77SI Tubular Boom w/ Hammerhead

- 240 ft (73.2 m) maximum boom length.
- 300 ft (220 ft + 80 ft) maximum boom and jib combination length.
- 77SI tubular chord boom, pin connected.
- 30 ft (19.8 m) inner, 19'5" outer base and hammerhead and 10 / 20 / 50 ft (3 / 6 / 15 m) available inserts provide boom compositions in 10 ft (3 m) increments from 50 ft (15.2 m) to 240 ft (73.2 m).

58ABSH Angle Boom

- Consult factory for details.

#### Robust engine

- Cummins Model QSC8.3 diesel engine supplies 325 HP (242 kW) @ 2000 rpm, 506 cu. in. (8.3 l) displacement, 112 gallons (425 l) fuel capacity.

#### Environmental operator's cab

- Designed to provide excellent viewing range and quiet, comfortable operation.
- 37 in. (0.91 m) wide cab has wide curved windows on both top and bottom.
- Easy-to-operate modular and ergonomically designed controls reduce operator fatigue and increase productivity.
- Load Moment Indicator with interactive screen features a shockless stop system. Operator can select from three display modes: loaded condition diagram, rated lifting curve, and rated lifting load table.
- Adjustable operator's seat, radio, air conditioner, overhead window, sun visor, fan, overhead and front wipers, and drum rotation indicators standard.

#### Heavy duty carbody and crawlers

- Fabricated steel carbody is deep box constructed with square axles for the crawler side frames. Precision machined top supports anti-friction swing circle and multiple pass hydraulic swivel joint.
- Crawlers have high alloy steel tumbler yokes and rigid fabricated structures with built-in sealed automatic lubrication system.
- 42" (1067 mm) crawler shoes.
- Travel mechanism is set within shoe width.
- Side frames extended or retracted by cylinders inside the carbody.
- Two travel speed settings – 0.55 / 0.37 mph (0.88 / 0.60 km/h).
- 30 % (17°) gradeability.

#### Powerful, high-speed hoist system

- Two identical independent main and auxiliary load hoisting drums provide ample lifting power. Drums are grooved for 1-1/8 in. (28 mm) diameter rope. Max. line speed is 540 fpm (165 m/min), max. single line pull is 54,060 lb (24 522 kg).  
Rated single line pull is 40,850 lb (18 530 kg). Freefall on main and auxiliary drums.
- Each drum, including optional third, has power up/down. Load hoists are further controllable in stepless mode.
- Ample work space in front of drums allows easy access for cable installation and maintenance.
- External contracting brake.
- Internal expanding band clutch.

#### Smooth swing

- Separate swing circuit
- 2.0 rpm swing speed.

#### High capacity, dependable hydraulic system

- Open circuit system has 2 variable displacement piston pumps which supply power to the travel and hoisting functions, 3 gear pumps provide power for swing, hydraulic cylinders and pilot pressure.
- Hydraulic reservoir with 88.5 gallons (335 l) capacity and 10 micron filtration. System capacity is 132 gallons (500 l).
- Component working range is between -4 and 203° F (-20 and 95° C).

#### Seven piece removable counterweight

- 7 piece pin connected counterweight can be assembled or disassembled easily within minutes.
- Hydraulic counterweight removal system is standard and makes the HC165 one of the most transportable cranes in its class.
- Moves on 8 trucks with 240 ft (73.2 m) 77SI offset tip boom and 80 ft (24.4 m) of 16HL jib. At 11 ft 6-3/4 in. (3525 mm) wide and 11 ft 5-3/4 in. (3500 mm) high, the basic HC165 will transport on a standard lowboy trailer.

#### Options include:

- Third drum – machine mounted
- Third drum – boom inner mounted.
- Single sheave extension.
- 16HL tubular jib – 32,000 lb (14 515 kg) (77SI tubular boom only).
- #15 angle jib – 30,000 lb (13 600 kg) (58ABSH angle boom only).
- Optional 108,400 pound of upper and 8,000 pound of carbody counterweight.

**HOIST DRUM PERFORMANCE**

**MAIN AND AUXILIARY HOIST - 1 1/8" DIAMETER ROPE**

| Rope Layer | High Range                 |                  | Low Range                  |                  | Total Rope Length |
|------------|----------------------------|------------------|----------------------------|------------------|-------------------|
|            | Line Speed Feet Per Minute | Single Line Pull | Line Speed Feet Per Minute | Single Line Pull |                   |
| 1st*       | 358                        | 27.030           | 179                        | 54.060           | 153               |
| 2nd*       | 389                        | 24.910           | 194                        | 49.850           | 313               |
| 3rd*       | 419                        | 23.015           | 210                        | 46.230           | 493               |
| 4th*       | 450                        | 21.560           | 225                        | 43.100           | 678               |
| 5th*       | 480                        | 20.195           | 240                        | 40.390           | 883               |
| 6th*       | 510                        | 18.980           | 255                        | 37.985           | 1.093             |
| 7th**      | 540                        | 17.925           | 269                        | 35.845           | 1.325             |
| 8th**      | 571                        | 16.975           | 285                        | 33.930           | 1.560             |
| 9th**      | 601                        | 16.115           | 301                        | 32.230           | 1.817             |

**3RD DRUM WITH FREE FALL**

| Machine Mounted |                            |                  |                   |
|-----------------|----------------------------|------------------|-------------------|
| Rope Layer      | Line Speed Feet Per Minute | Single Line Pull | Total Rope Length |
| 1st*            | 129                        | 37.655           | 64                |
| 2nd*            | 140                        | 34.725           | 129               |
| 3rd*            | 150                        | 32.210           | 204               |
| 4th*            | 161                        | 30.050           | 278               |
| 5th*            | 172                        | 28.155           | 364               |
| 6th*            | 183                        | 26.480           | 449               |
| 7th*            | 194                        | 25.000           | 545               |
| 8th**           | 205                        | 23.680           | 640               |
| 9th**           | 216                        | 22.465           | 747               |

**3RD DRUM WITHOUT FREE FALL**

| Boom Mounted – Braden CH210 |                            |                  |                   |
|-----------------------------|----------------------------|------------------|-------------------|
| Rope Layer                  | Line Speed Feet Per Minute | Single Line Pull | Total Rope Length |
| 1st*                        | 193                        | 19.100           | 116               |
| 2nd*                        | 210                        | 17.530           | 242               |
| 3rd*                        | 227                        | 16.200           | 379               |
| 4th*                        | 244                        | 15.050           | 526               |
| 5th*                        | 262                        | 14.060           | 683               |
| 6th**                       | 279                        | 13.190           | 851               |

**Remarks**

- \* Working Layers
- \*\* Storage Layers

**TRANSPORT EXAMPLE FOR HC 165**

**240' 77" SH BOOM WITH OFFSET TIP 80' 16HL JIB**

Loads required as follows: (weights shown do **NOT** include blocking or tie-down material)

**LOAD NO. 1**

|  |                  |
|--|------------------|
| Crawler side frame .....                         | 37,000 lb        |
| 2 x 20' 16HL center sections @ 510 lb each ..... | 1,020 lb         |
| <b>TOTAL LOAD .....</b>                          | <b>38,020 lb</b> |

**LOAD NO. 2**

|                             |                  |
|-----------------------------|------------------|
| Crawler side frame .....    | 37,000 lb        |
| Basic 40' of 16HL Jib ..... | 3,060 lb         |
| <b>TOTAL LOAD .....</b>     | <b>40,060 lb</b> |

**LOAD NO. 3**

|  |                  |
|--|------------------|
| 2 x counterweights @ 9,200 lb each ..... | 18,400 lb        |
| 1 x 50' boom center section .....        | 4,500 lb         |
| <b>TOTAL LOAD .....</b>                  | <b>22,900 lb</b> |

**LOAD NO. 4**

|   |                  |
|---|------------------|
| 2 x counterweights @ 11,200 lb each ..... | 22,400 lb        |
| 1 x 50' boom center section .....         | 4,500 lb         |
| <b>TOTAL LOAD .....</b>                   | <b>26,900 lb</b> |

**LOAD NO. 5**

|   |                  |
|---|------------------|
| 2 x counterweights @ 11,200 lb each ..... | 22,400 lb        |
| 1 x 50' boom center section .....         | 4,500 lb         |
| <b>TOTAL LOAD .....</b>                   | <b>26,900 lb</b> |

**LOAD NO. 6**

|                                 |                  |
|---------------------------------|------------------|
| Base counterweight .....        | 39,000 lb        |
| 1 x 20' boom (outer base) ..... | 2,900 lb         |
| <b>TOTAL LOAD .....</b>         | <b>41,900 lb</b> |

**LOAD NO. 7**

|   |                  |
|---|------------------|
| Miscellaneous, Block, Ball, Pendants, etc. .... | 12,000 lb        |
| 1 x 30' offset tip .....                        | 5,300 lb         |
| 1 x 10' boom center section .....               | 1,000 lb         |
| <b>TOTAL LOAD .....</b>                         | <b>18,300 lb</b> |


**LOAD NO. 8**

**Upperworks and Carbody:**

- a) Transport system
- b) Boom inner section and boom stops
- c) Boom hoist rope
- d) Wire rope on main and auxiliary drums

|   |                  |
|---|------------------|
| <b>TOTAL WEIGHT OF UPPER, etc. ....</b> | <b>94,000 lb</b> |
|---|------------------|

**KEY**

 Counterweight



The information contained in this brochure merely consists of general descriptions and a broad compilation of performance features which might not apply precisely as described under specific application conditions or which may change as a result of further product development. The desired performance features only become binding once expressly agreed in the final contract.

Note: Data published herein is intended as a guide only and shall not be construed to warrant applicability for lifting purposes. Crane operation is subject to the computer charts and operation manual both supplied with the crane.

Subject to change without notice.

02/05